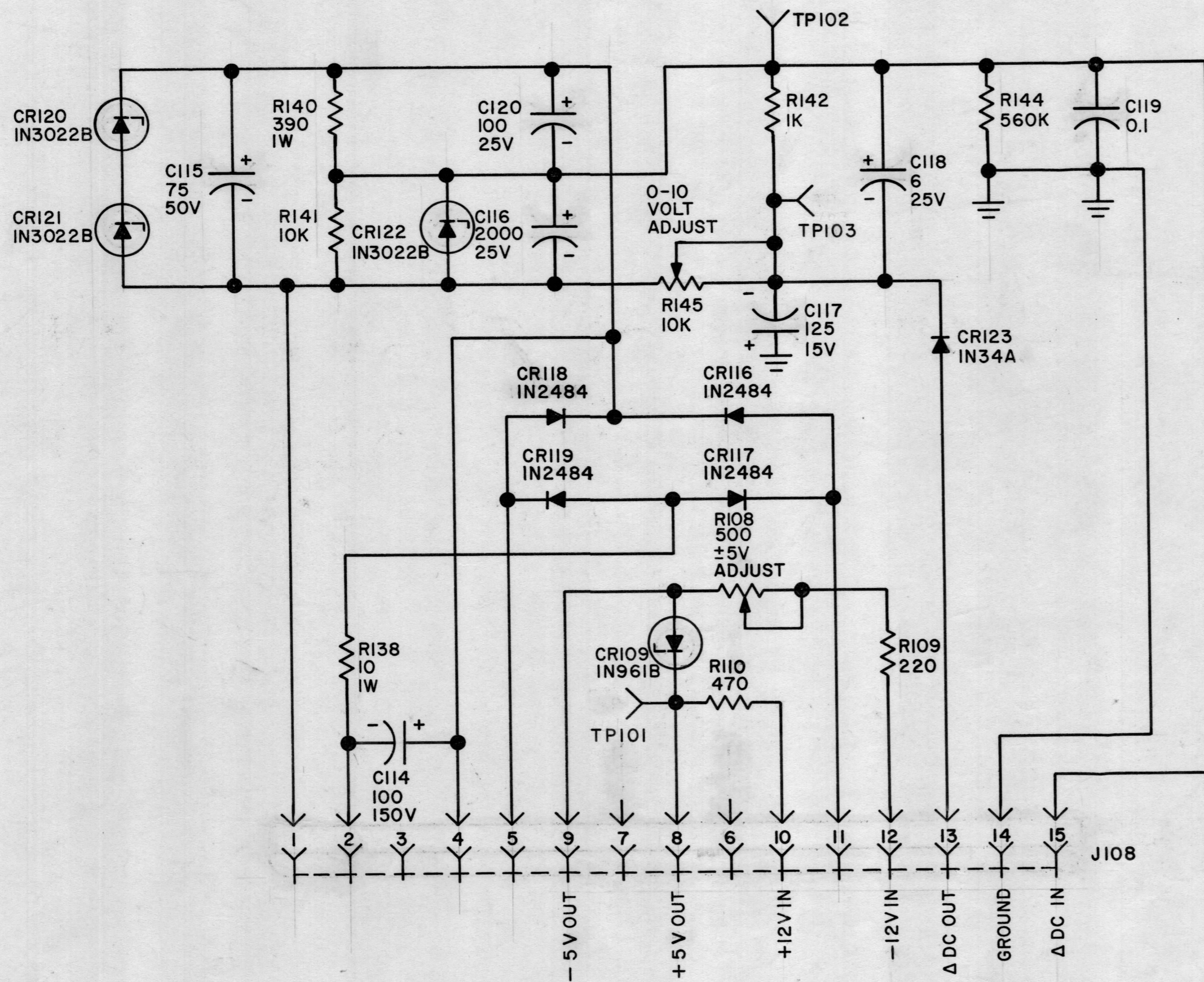


REVISIONS					
ZONE	SYM	DESCRIPTION	DATE	E.M.N. NO.	APPD
	Ø	ORIGINAL RELEASE FOR PRODUCTION	6-16-65	JL	J.M.
A		CR123 PT. N° WAS IN 34A5	2/17/66	15801	JL



— UNLESS OTHERWISE SPECIFIED —
 1—ALL RESISTOR VALUES ARE IN OHMS, 1/2 WATT.
 2—ALL CAPACITOR VALUES ARE IN MICROFARADS.
 3—FOR FIRST, LAST & MISSING SYMBOLS, REFER TO CK972.

NOTES

1	RGCB-1	A4280
QTY./UNIT	MODEL USED ON	ASS'Y. NO.
SCALE	CODE	

THE CONTENTS OF THIS DRAWING ARE THE EXCLUSIVE PROPERTY OF THE TECHNICAL MATERIEL CORP. ITS UNAUTHORIZED USE OR REPRODUCTION IN WHOLE OR IN PART IS STRICTLY FORBIDDEN.

REQ'D.	ITEM	PART NUMBER	DESCRIPTION	SYMBOL
EATON LIST OF MATERIAL				
MATERIAL		THE TECHNICAL MATERIEL CORP. MAMARONECK, NEW YORK		
FINISH		TITLE DIAGRAM, SCHEMATIC		
UNLESS OTHERWISE SPECIFIED DIMENSIONS ARE IN INCHES AND INCLUDE CHEMICALLY APPLIED OR PLATED FINISHES		DRAWN NIDA SER	DATE 6-14-65	FINAL APPROVAL M. H. [Signature]
		CHECKED [Signature]	DATE 6-16-65	DATE 6-16-65
		ELECT. DES. [Signature]	DATE 6-16-65	REV. LTR. A
		MECH. DES.	DATE	SHEET

CK998