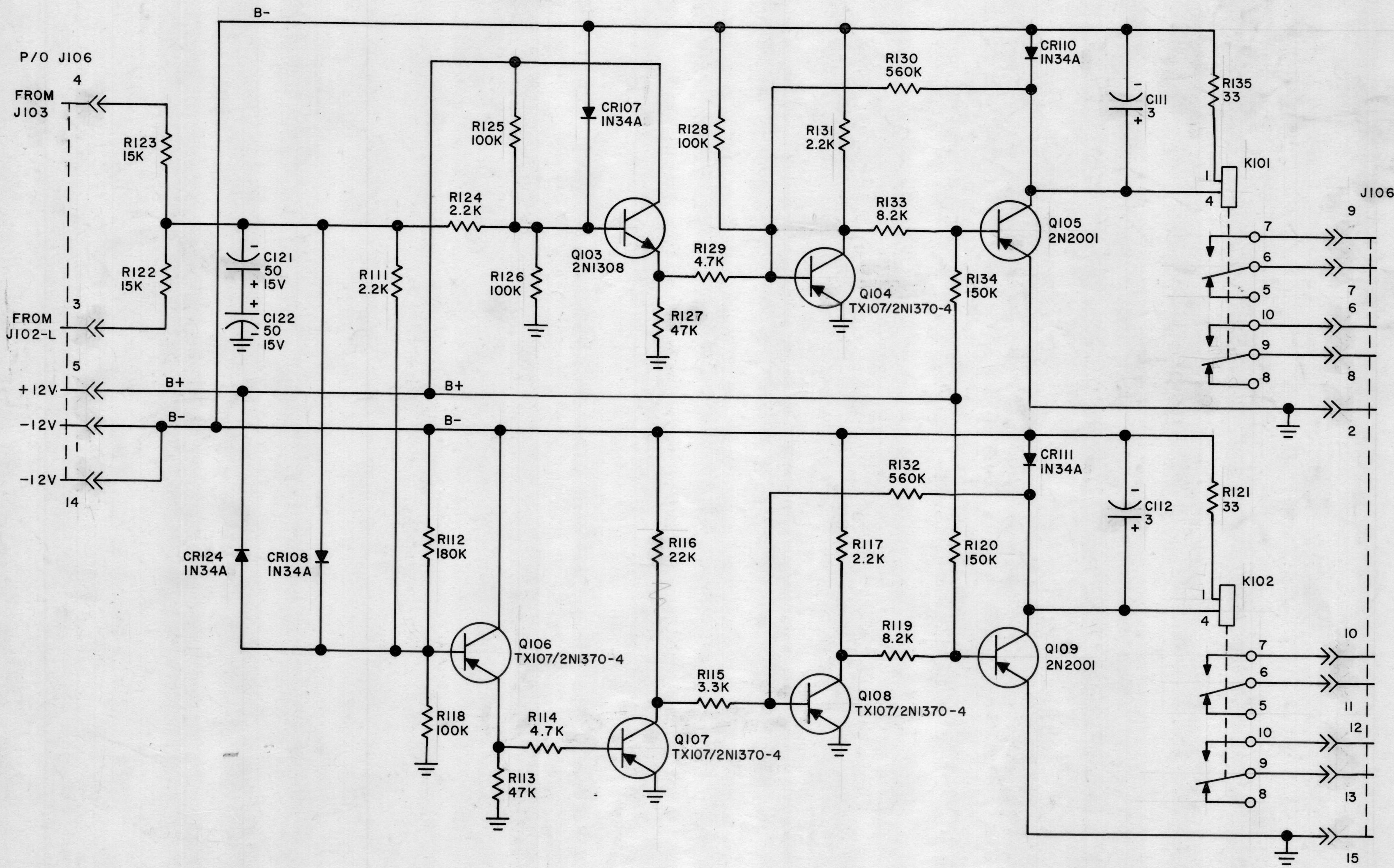


REVISIONS							
ZONE	SYM	DESCRIPTION	DATE	E.M.N. NO.	DRAFT	CHKD	APPD
	Ø	ORIGINAL RELEASE FOR PRODUCTION	6-16-65		JTC	JM	
	A	ALL DIODE PT. N ^o 'S WERE IN34A'S; ADDED TX107 TO PT. N ^o 'S OF Q104, 6, 7 & 8.	2/17/66	15801	JL	JTC	



- UNLESS OTHERWISE SPECIFIED -
 1-ALL RESISTOR VALUES ARE IN OHMS, 1/2WATT.
 2-ALL CAPACITOR VALUES ARE IN MICROFARADS.
 3 FOR FIRST, LAST & MISSING SYMBOLS, REFER TO CK972.

I	RGCB-1	A4245
QTY/UNIT	MODEL USED ON	ASS'Y. NO.
SCALE	CODE	

THE CONTENTS OF THIS DRAWING ARE THE EXCLUSIVE PROPERTY OF THE TECHNICAL MATERIEL CORP. ITS UNAUTHORIZED USE OR REPRODUCTION IN WHOLE OR IN PART IS STRICTLY FORBIDDEN.

REQ'D.	ITEM	PART NUMBER	DESCRIPTION	SYMBOL
EATON LIST OF MATERIAL				
MATERIAL		THE TECHNICAL MATERIEL CORP. MAMARONECK, NEW YORK		
FINISH		TITLE DIAGRAM, SCHEMATIC		
UNLESS OTHERWISE SPECIFIED DIMENSIONS ARE IN INCHES AND INCLUDE CHEMICALLY APPLIED OR PLATED FINISHES		DRAWN WIDA SER	DATE 6-14-65	FINAL APPROVAL [Signature]
DECIMALS .X ± .05 .XX ± .01 .XXX ± .005		CHECKED [Signature]	DATE 6-16-65	DATE 6/18/65
FRACTIONS ± 1/64 ANGLES ± 0° 30'		ELECT. DES. [Signature]	DATE 6-16-65	DATE
TOLERANCES		MECH. DES. [Signature]	DATE	DATE
			CK993	
			A	

NOTES

CK993
A