

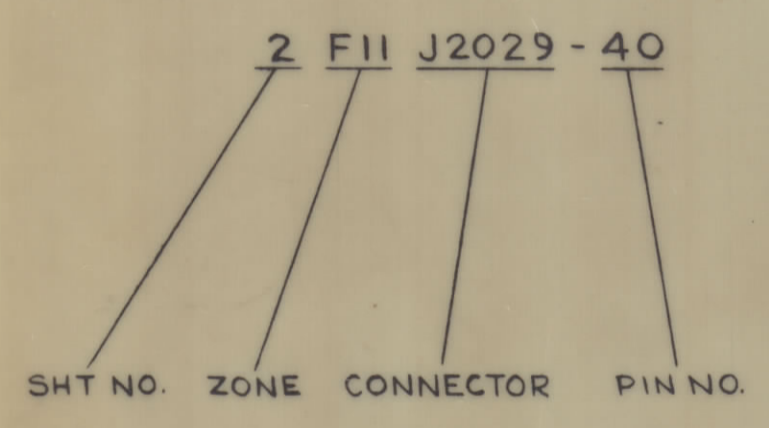
		REVISIONS				
SYM	DESCRIPTION	DATE	E.M.N. NO.	DRAFT	CHKD	APPD
0	ORIGINAL RELEASE FOR PRODUCTION	5/24/66	11	JL		
A	PC220/A4295 WAS PC165/A3806 (SEE SHT-2)	1/17/66	15537	RJLV		
B	PC 220/A4295 22030C 22030 WAS 25001C 25008 DOW DIV. OF EATON'S PC 22/A354K REV. 602 SEE SHEET 8 OF 9	3/18/66	15478	WJW		

CARDS USED

PART NO.	DESCRIPTION	CONNECTOR NO.	LOCATION	B+ INPUT	B- INPUT
PC144/A3761	RESET CKT FOR MEMORY FF'S	J2001	SHT 3	PIN 5	PIN 37
PC141/A3758	SHIFT REGISTER FOR MEMORY FF'S	J2002	SHT 6	" 5	" 37
PC121/A3688	READOUT MEMORY FF'S	J2003	SHT 6	" 5	" 37
	"	J2004	" 6	" 5	" 37
PC124/A3691	READOUT CKT FOR MC NIXIE DRIVERS	J2005	" 6	"	" 37
PC121/A3688	READOUT MEMORY FF'S	J2006	" 7	" 5	" 37
	"	J2007	" 7	" 5	" 37
PC123/A3690	READOUT DRIVE CKT	J2008	" 7	"	PIN 39 PIN 19
PC141/A3758	SHIFT REGISTER FOR MEMORY FF'S	J2009	" 9	" 5	" 37
PC121/A3688	READOUT MEMORY FF'S	J2010	" 8	" 5	" 37
	"	J2011	" 8	" 5	" 37
PC126/A3693	READOUT DRIVE CKT	J2012	" 8	" 5	" 37
PC121/A3688	READOUT MEMORY FF'S	J2013	" 9	"	" 37
PC126/A3693	READOUT DRIVE CKT	J2014	" 9	" 5	" 37
	"				
PC124/A3691	R'OUT DRIVE CKT FOR NIXIE DRIVERS	J2016	" 5	"	" 37
PC121/A3688	READOUT MEMORY FF'S	J2017	" 5	" 5	" 37
	"	J2018	" 5	" 5	" 37
PC138/A3755	AND-OR LOGIC FOR MC R'OUTS	J2019	" 4	" 5	" 37
PC145/A3754	NOR LOGIC FOR MC 10'S, 20'S, 30'S	J2020	" 4	" 5	" 37
PC140/A3757	NOR LOGIC FOR MC 1'S	J2021	" 4	" 5	" 37
	"	J2022	" 4	" 5	" 37
PC143/A3760	FIRST LOGIC STAGE-MC R'OUTS	J2023	" 3	"	" 37
PC121/A3688	READOUT MEMORY FF'S	J2024	" 3	" 5	" 37
PC142/A3759	MC SHIFT REGISTER	J2025	" 3	" 5	" 37
PC160/A3794	TIMING & RESET CKT	J2026	" 2	" 5	" 37
PC139/A3756	CODE STORAGE - INPUT SH. REG.	J2027	" 2	" 5	" 37
PC127/A3694	INITIAL RESET CKT	J2028	" 1	" 5	" 37
PC221/A4294	SERIAL TO PARALLEL SH. REG.	J2029	" 2	" 5	" 37
PC220/A4295	SER. TOPAR. CLOCK CKT	J2030	" 1	" 5	" 37

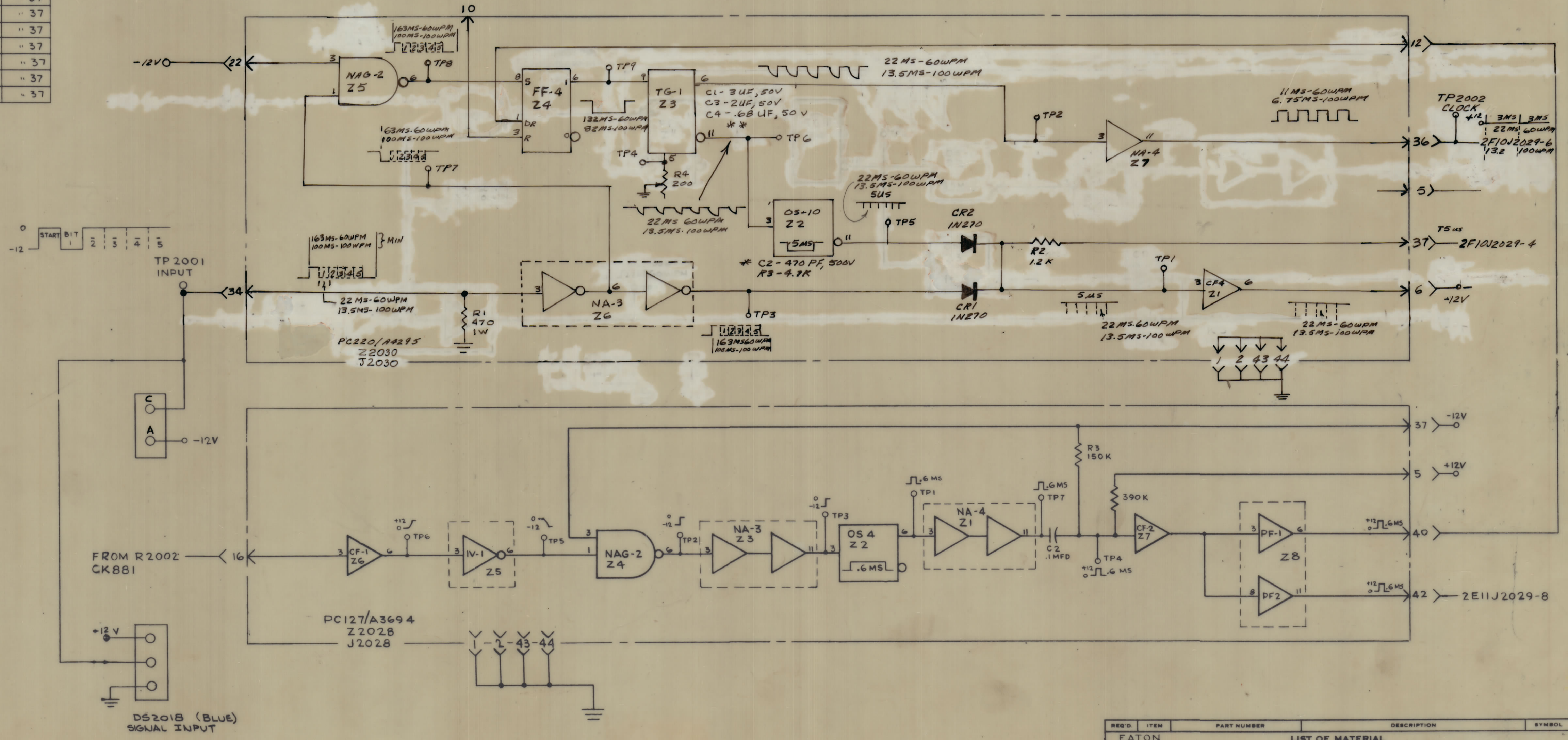
NOTE:
GROUND CONNECTION THRU
PINS 1, 2, 43 & 44 FOR
ALL CARDS.

DWG DESTINATION

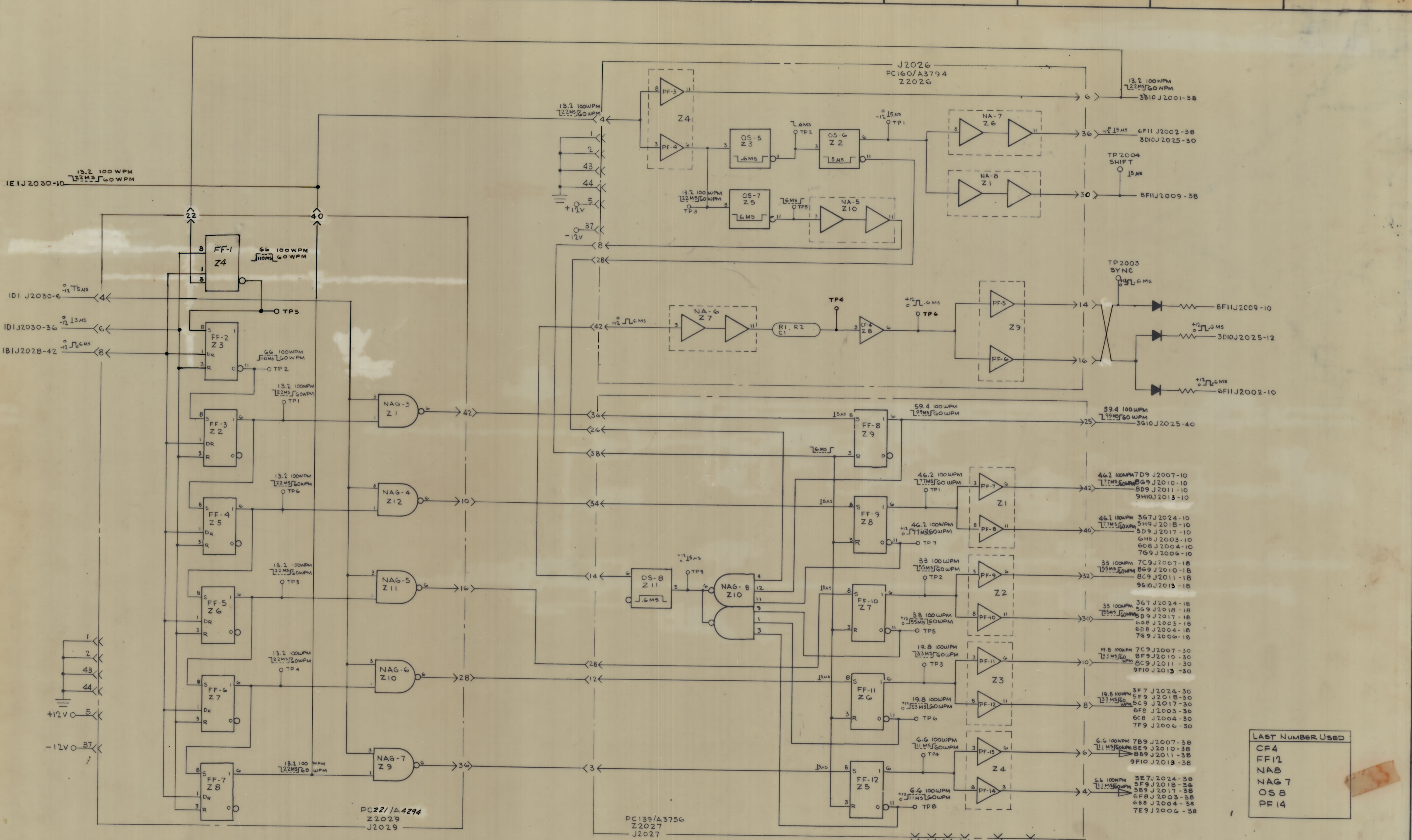


LAST NUMBER USED

CF2
FF1
IV1
NA4
NAG2
OS4
PF2
TG1



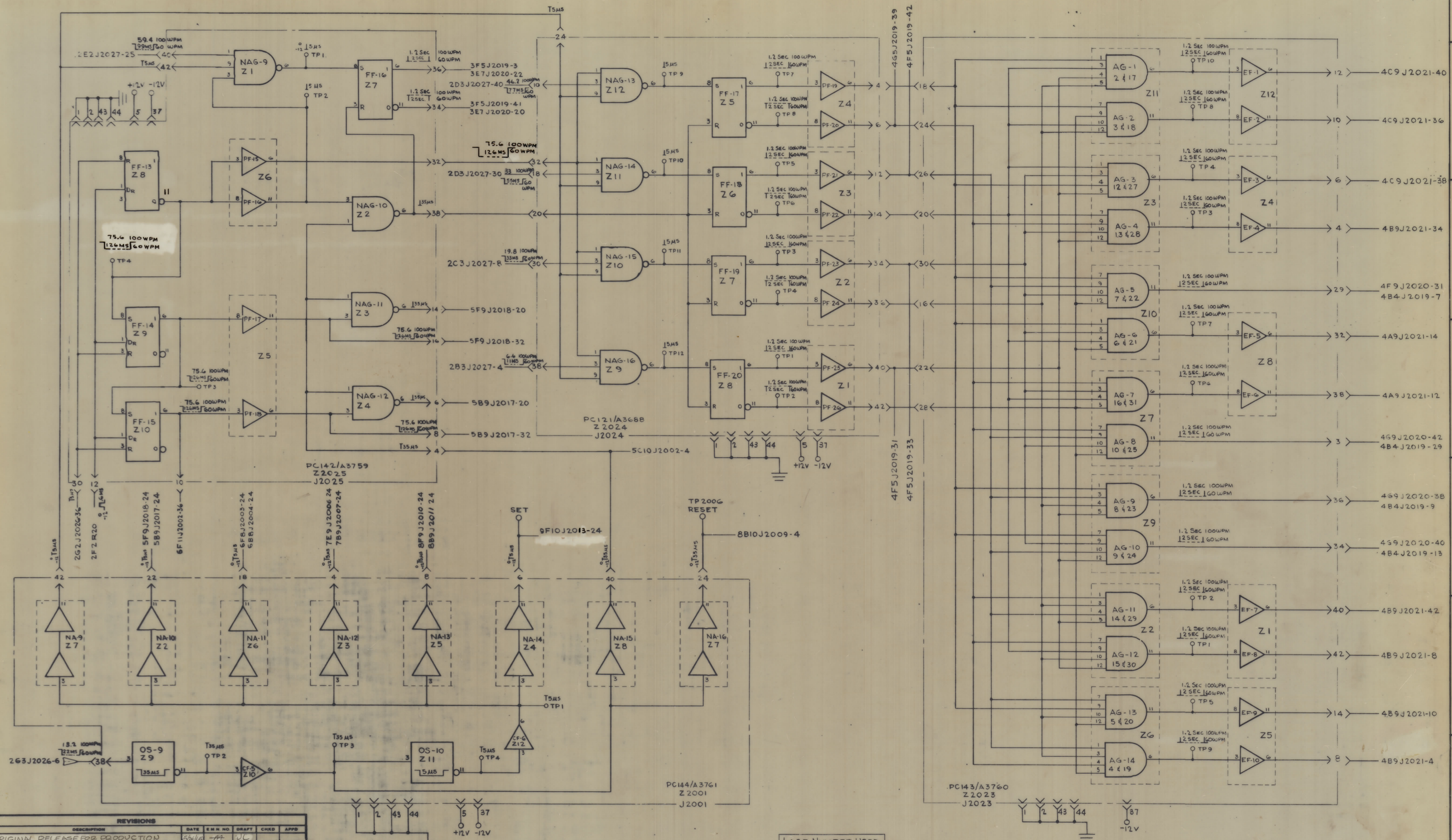
REQ'D	ITEM	PART NUMBER	DESCRIPTION	SYMBOL
EATON LIST OF MATERIAL				
MATERIAL THE TECHNICAL MATERIEL CORP. MAMARONECK, NEW YORK				
FINISH TITLE DIAGRAM, LOGIC, DETAILED RTID-1				
UNLESS OTHERWISE SPECIFIED		DRAWN JL	DATE 5/20/65	FINISH APPROVAL [Signature]
DIMENSIONS ARE IN INCHES AND INCLUDE CHEMICALLY APPLIED OR PLATED FINISHES		CHECKED [Signature]	DATE [Signature]	DATE [Signature]
DECIMALS ±.00	FRACTIONS ± 1/64	ELECT. DRW. DATE	CK990 B	
±.01	±.005	MECH. DRW. DATE	SHEET 1 OF 9	
±.005	±.001		REV. LTR.	



LAST NUMBER USED	
CF4	
FF12	
NAB	
NAG 7	
OS 8	
PF 14	

REVISIONS						
SYM	DESCRIPTION	DATE	EM N. NO.	DRAFT	CHKD	APPD
0	ORIGINAL RELEASE FOR PRODUCTION	5/14/66		JL		
A	PC221/A4294 WAS PC123/A3692 (SEE SHW-1)	7/9/66	15533	D.V.V.		
B	SEE SHEET 1 OF 9. SEE SHEET 8 OF 9	3/18/66	15978	W.H.D.		

EATON		LIST OF MATERIAL	
MATERIAL	DESCRIPTION	SYMBOL	
THE TECHNICAL MATERIEL CORP. MAMARONECK, NEW YORK			
TITLE DIAGRAM, LOGIC, DETAILED RTID-1			
UNLESS OTHERWISE SPECIFIED DIMENSIONS ARE IN INCHES AND INCLUDE CHEMICALLY APPLIED OR PLATED FINISHES	DRAWN JL	DATE 5/20/65	FINAL APPROVAL
DECIMALS 1/16	CHECKED G.P.S.	DATE 5/21/65	DATE 5/21/65
FRACTIONS 1/32	ELCC. DES.	DATE	
TOLERANCES 2/100	RECH. DES.	DATE	
CK9901B			REV. LTR.
SHEET 2 OF 9			



REVISIONS					
SYM	DESCRIPTION	DATE	ENR. NO.	DRAFT	CHKD
Ø	ORIGINAL RELEASE FOR PRODUCTION	5/14/66	-A-	JK	
A	SEE SHTS 1 & 2	1/7/66	15533	AKK	
B	SEE SHTS 1 OF 9 & 8 OF 9	5/18/66	15978	AKK	

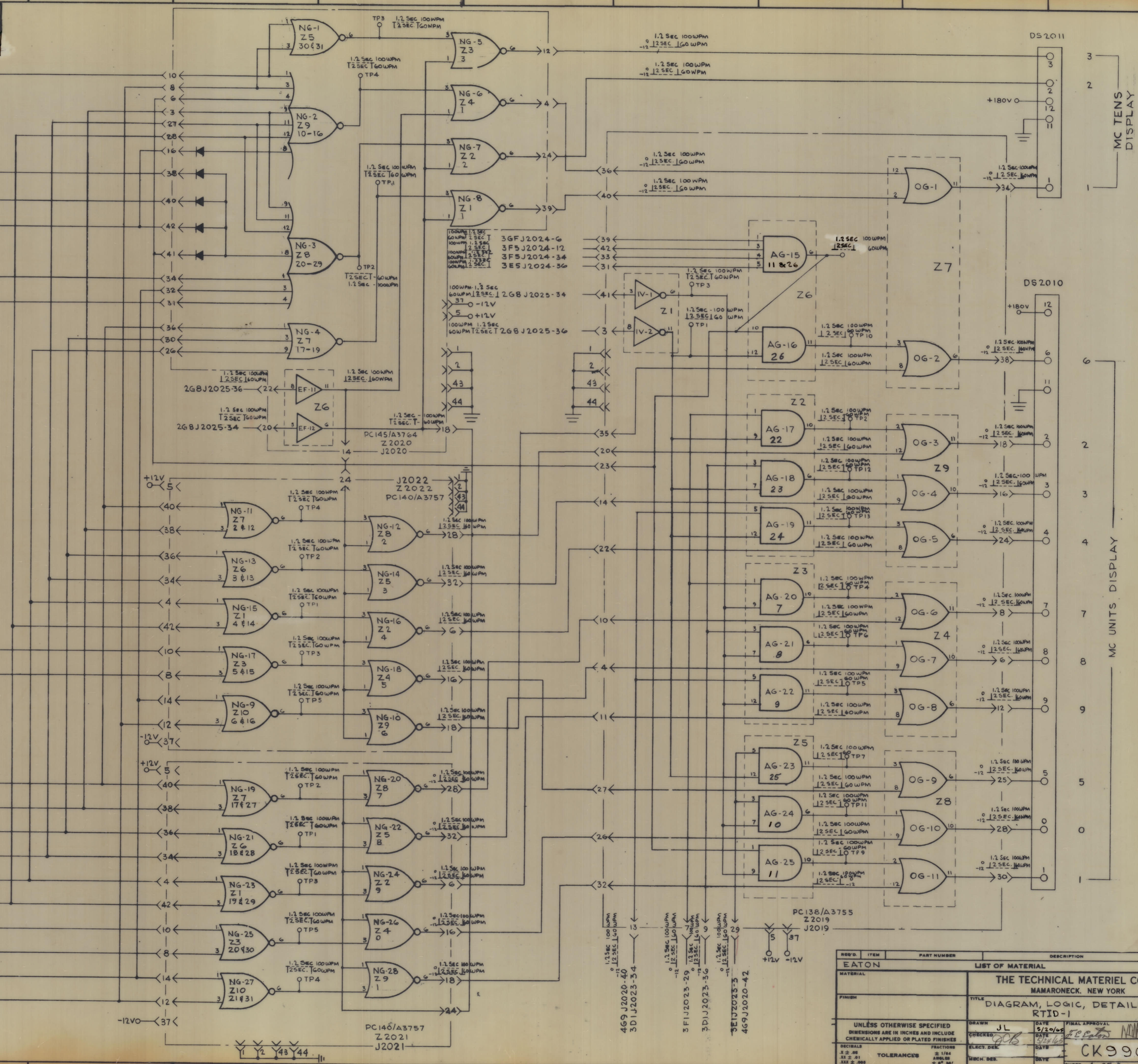
- LAST NUMBER USED
- AG 14
 - CFG
 - EF 10
 - FF 20
 - NA 16
 - NAG 16
 - OS 10
 - PF 26

REQ. NO.	ITEM	PART NUMBER	DESCRIPTION	SYMBOL
EATON LIST OF MATERIAL				
MATERIAL THE TECHNICAL MATERIEL CORP. MAMARONECK, NEW YORK				
FINISH TITLE DIAGRAM, LOGIC, DETAILED RTID-1				
UNLESS OTHERWISE SPECIFIED DIMENSIONS ARE IN INCHES AND INCLUDE CHEMICALLY APPLIED OR PLATED FINISHES				
DRAWN JL	DATE 9/20/65	FINAL APPROVAL	DATE	
CHECKED JCB	DATE 9/20/65	DATE		
ELECT. DES. DATE		DATE		
MECH. DES. DATE		DATE		
DECIMALS 1/8, 1/16, 1/32, 1/64	FRACTIONS 3/16, 1/4, 3/8, 1/2, 5/8, 3/4, 7/8	TOLERANCES 2-1/16 ANGLES ± 90°	CK 990 B	
SHEET 3 OF 9			REV. LTR.	

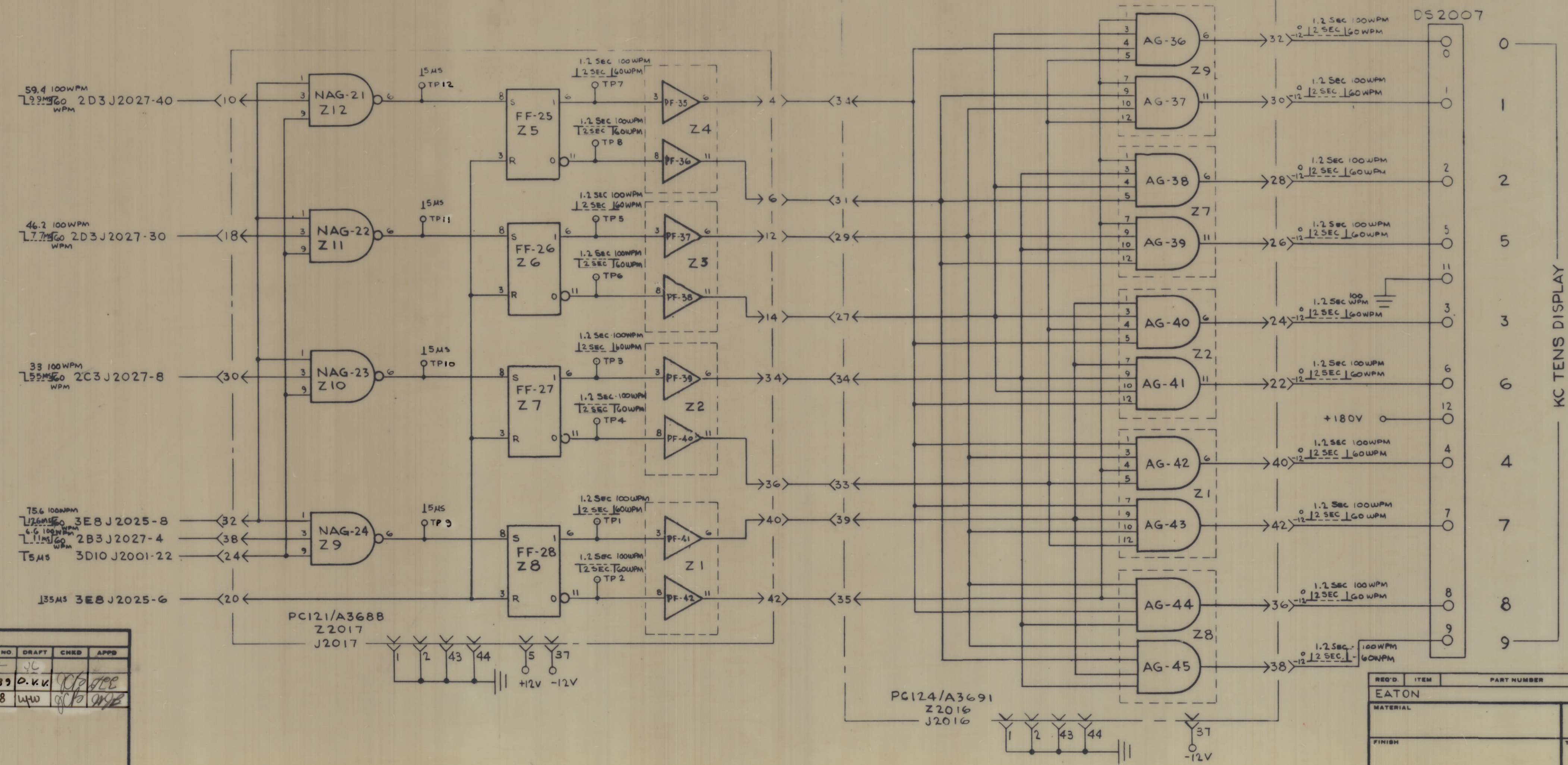
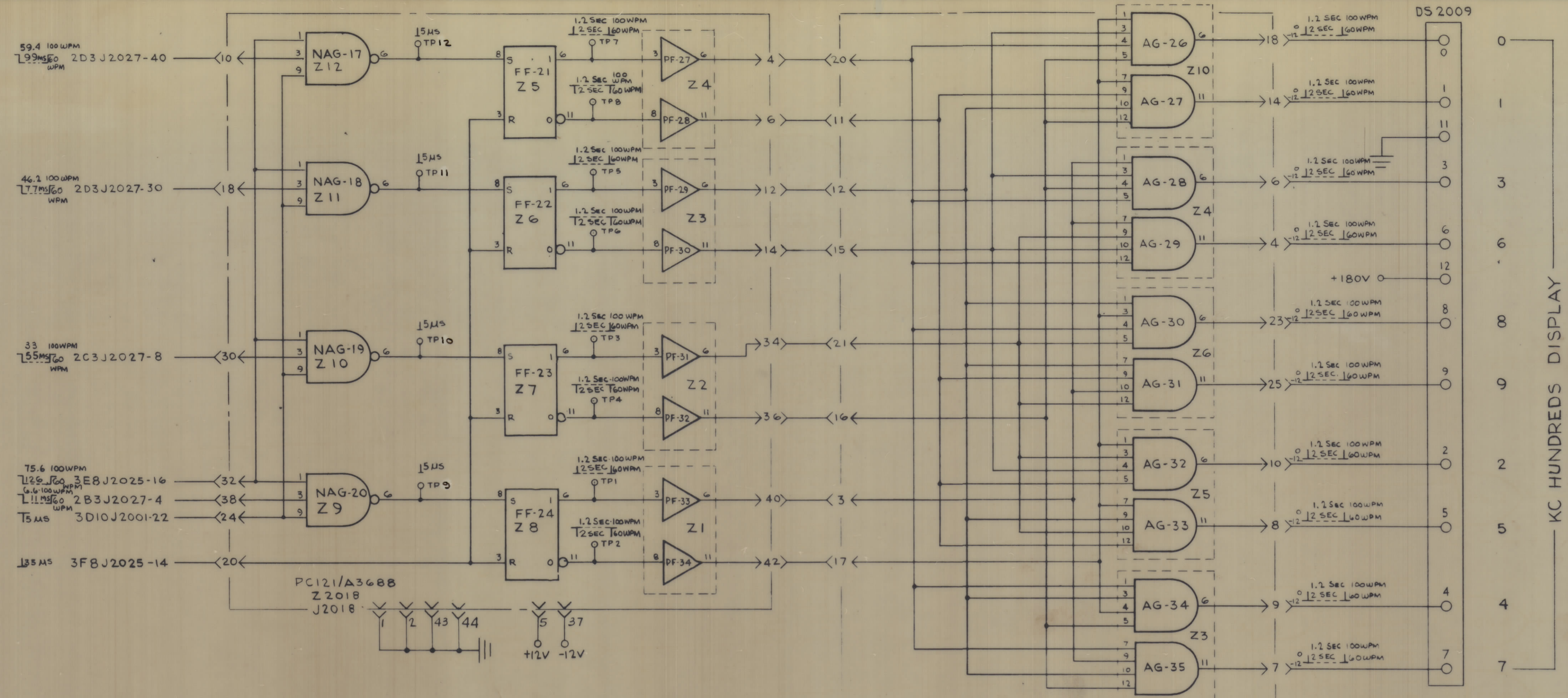
REVISIONS						
BY	DESCRIPTION	DATE	EM.N. NO.	DRAFT	CHKD	APPD
✓	ORIGINAL RELEASE FOR PRODUCTION	5/20/65	JL			
A	SEE SHTS 1 & 2	1/7/65	15539	P.V.K.		
B	SEE SHTS 1 OF 9 & B OF 9	3/18/64	15978			

- 3DIJ2023-36
- 3DIJ2023-34
- 4B4J2019-13
- 3EIJ2023-3
- 4B4J2019-29
- 3FIJ2023-29
- 3GIJ2023-12
- 3FIJ2023-6
- 3GIJ2023-10
- 3FIJ2023-4
- 3BIJ2023-8
- 3CIJ2023-40
- 3CIJ2023-14
- 3CIJ2023-42
- 3EIJ2023-32
- 3EIJ2023-38

LAST NUMBER USED
 AG 25
 EF 12
 IV 2
 NG 28
 OG 11



EATON LIST OF MATERIAL			
ITEM	PART NUMBER	DESCRIPTION	SYMBOL
MATERIAL			
FINISH			
UNLESS OTHERWISE SPECIFIED DIMENSIONS ARE IN INCHES AND INCLUDE CHEMICALLY APPLIED OR PLATED FINISHES			
DRAWN JL		DATE 5/20/65	
CHECKED P.V.K.		DATE 5/20/65	
DESIGNED		DATE	
TOLERANCES		FRACTIONS	
±.005		± 1/64	
±.01		± 3/32	
±.008		± 6/32	
MECH. DES.		DATE	
TITLE		DRAWN	
DIAGRAM, LOGIC, DETAILED		CK990 B	
RTID-1		SHEET 4 OF 9	
REV 178			



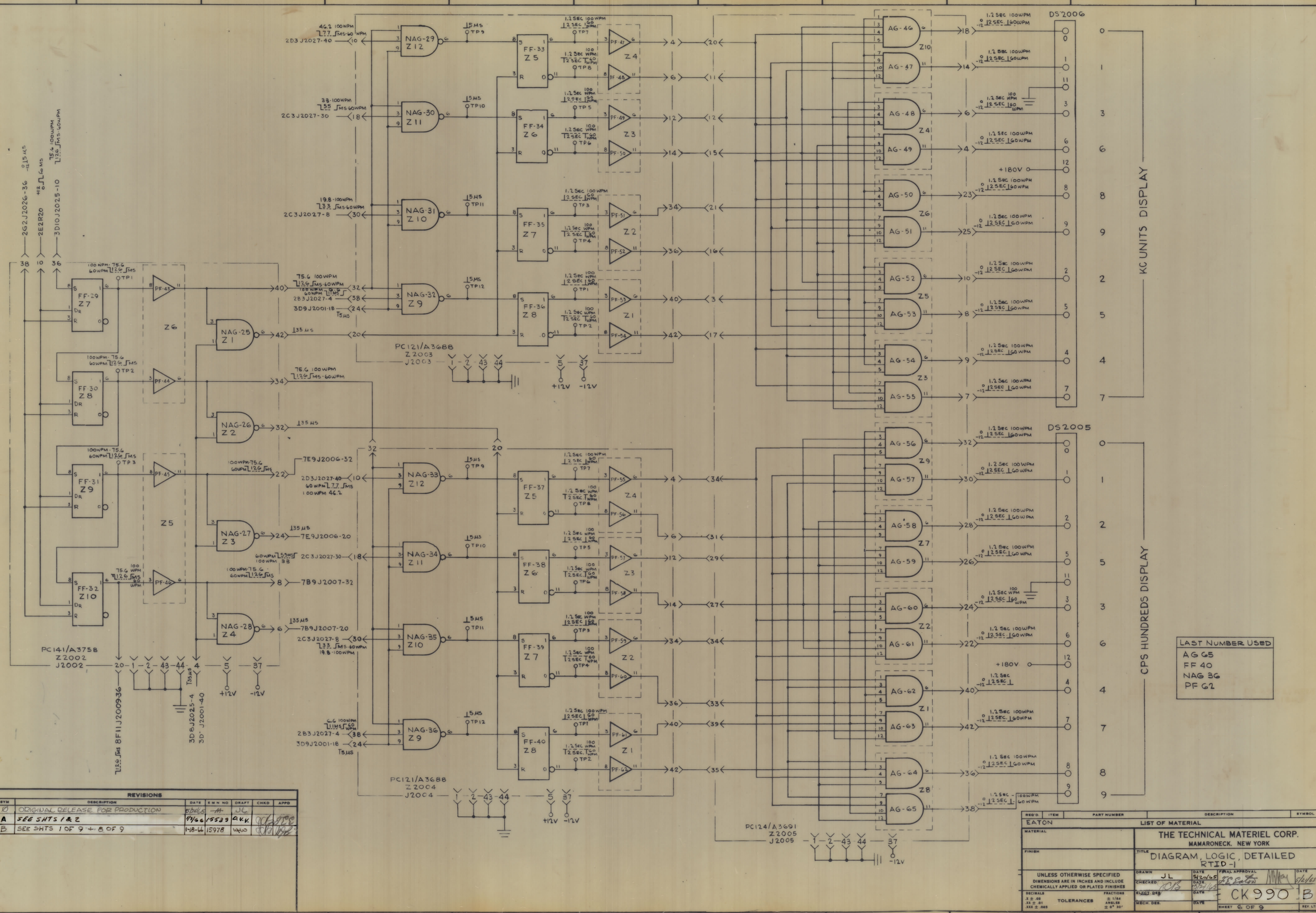
LAST NUMBER USED
 AG 45
 FF 28
 NAG 24
 PF 42

REVISIONS					
SYM	DESCRIPTION	DATE	BY	CHKD	APPD
Ø	ORIGINAL RELEASE FOR PRODUCTION	5/24/65	AP	JL	
A	SEE SHTS 1 & 2	7/26/65	15533	O.K.V.	
B	SEE SHTS 1 OF 9 + B OF 9	11/18/64	15978	WLD	

RESID	ITEM	PART NUMBER	DESCRIPTION	SYMBOL
EATON LIST OF MATERIAL				
MATERIAL THE TECHNICAL MATERIEL CORP. MAMARONECK, NEW YORK				
FINISH TITLE DIAGRAM, LOGIC DETAILED RTID-1				
UNLESS OTHERWISE SPECIFIED DIMENSIONS ARE IN INCHES AND INCLUDE CHEMICALLY APPLIED OR PLATED FINISHES		DRAWN JL	DATE 5/20/65	APPROVAL
FRACTIONS 1/2, 3/4, 1/8, 3/16, 1/32, 5/16, 3/8, 7/16, 1/4, 5/8, 3/4, 7/8, 1, 1 1/8, 1 1/4, 1 1/2, 1 3/4, 2, 2 1/4, 2 1/2, 2 3/4, 3, 3 1/4, 3 1/2, 3 3/4, 4, 4 1/4, 4 1/2, 4 3/4, 5, 5 1/4, 5 1/2, 5 3/4, 6, 6 1/4, 6 1/2, 6 3/4, 7, 7 1/4, 7 1/2, 7 3/4, 8, 8 1/4, 8 1/2, 8 3/4, 9, 9 1/4, 9 1/2, 9 3/4, 10		CHECKED	DATE	DATE
TOLERANCES ± 1/64 ANGLES ± 0° 30'		DATE	DATE	DATE
MATERIAL		DATE	DATE	DATE
REV LTR		DATE	DATE	DATE

CK-990-B

11 10 9 8 7 6 5 4 3 2 1



LAST NUMBER USED
 AG G5
 FF 40
 NAG 36
 PF G2

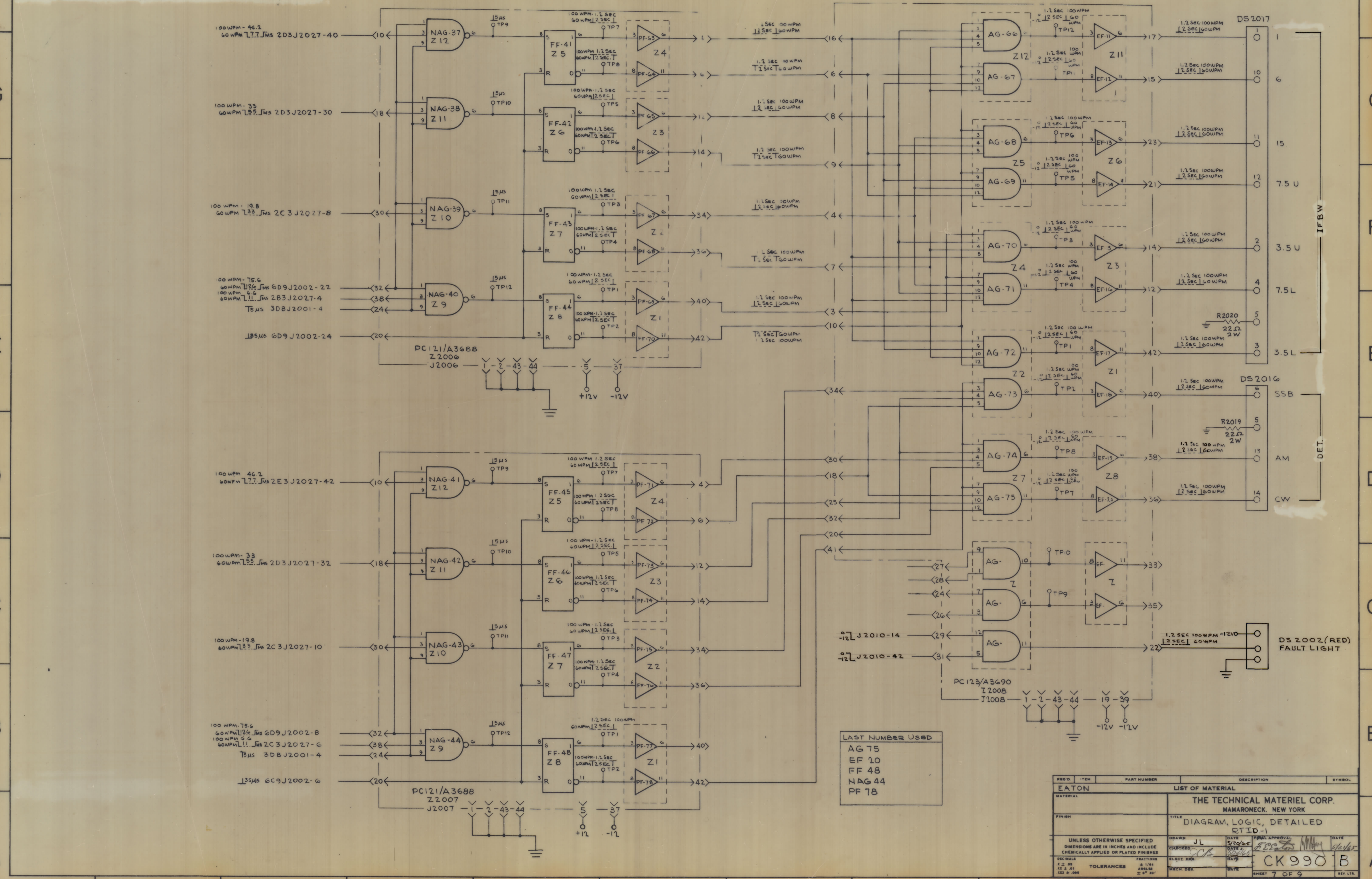
REVISIONS					
SYM	DESCRIPTION	DATE	BY	CHKD	APPD
Ø	ORIGINAL RELEASE FOR PRODUCTION	5/21/65	AKK	JL	
A	SEE SHTS 1 & 2	11/6/65	AKK	JL	
B	SEE SHTS 1 OF 9 + 8 OF 9	1-18-66	15978	WLD	

LIST OF MATERIAL					
REQ. QTY	ITEM	PART NUMBER	DESCRIPTION	SYMBOL	
EATON					
MATERIAL					
FINISH					
UNLESS OTHERWISE SPECIFIED DIMENSIONS ARE IN INCHES AND INCLUDE CHEMICALLY APPLIED OR PLATED FINISHES					
DRAWN	JL	DATE	5/20/65	FINAL APPROVAL	DATE
CHECKED	AKK	DATE	5/24/65		
MECH. DES.		DATE			
TOLERANCES			± 1/64		
			ANGLES		
			± 0.005		
TITLE				CK 990 B	
THE TECHNICAL MATERIEL CORP.				MAMARONECK, NEW YORK	
DIAGRAM, LOGIC, DETAILED					
RTID-1					
SHEET 6 OF 9					

11 10 9 8 7 6 5 4 3 2 1

REVISIONS

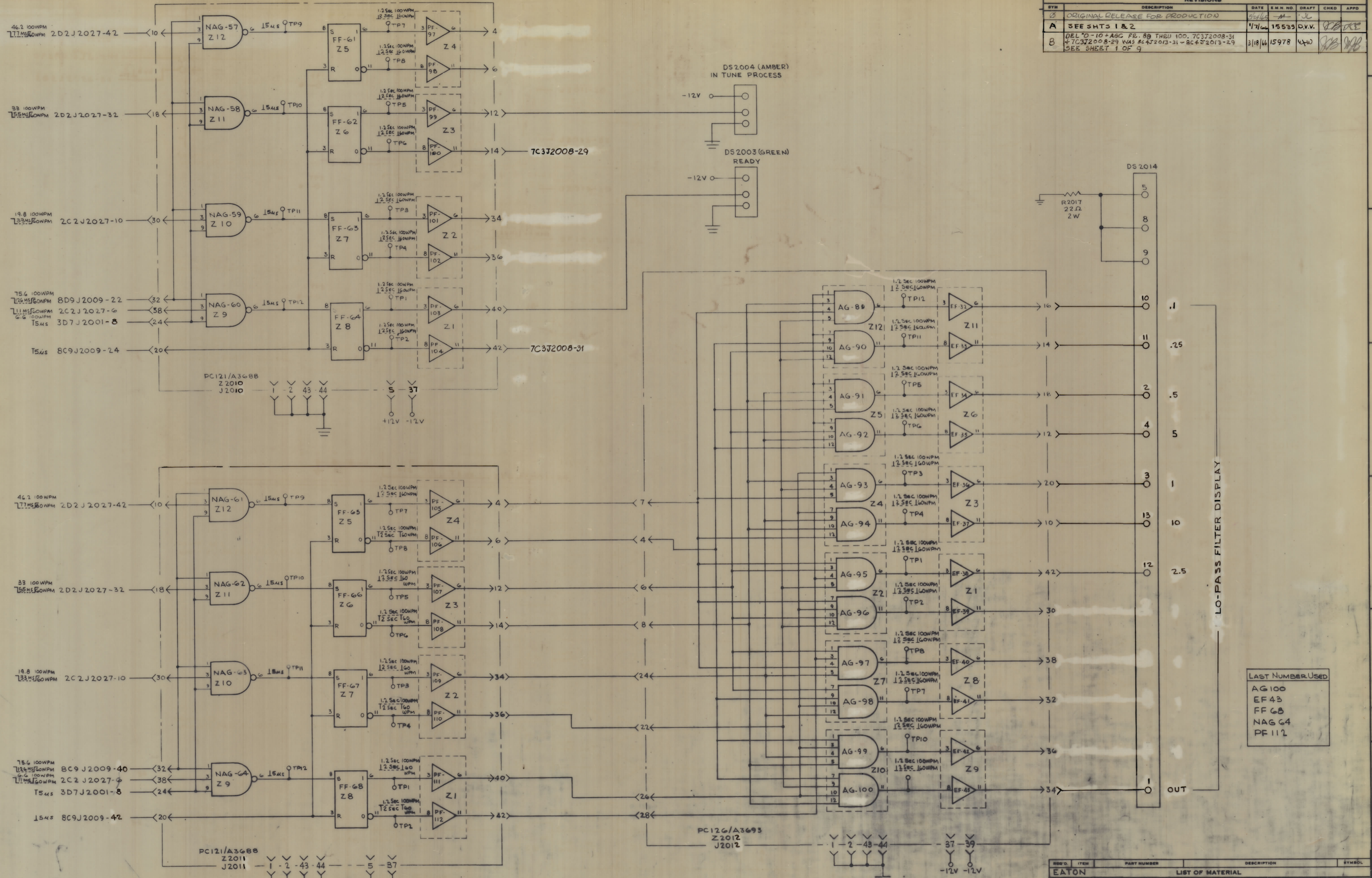
REV	DESCRIPTION	DATE	E.M.N. NO.	DRAFT	CHKD	APPD
1	ORIGINAL RELEASE FOR PRODUCTION	7/16/66	AM	✓		
A	SEE SHTS 1 & 2	7/20/66	5539 P.K.V.			
B	SEE SHTS 1 OF 9 + 8 OF 9	1-18-66	15978	W.J.O.		



LAST NUMBER USED
 AG 75
 EF 10
 FF 48
 NAG 44
 PF 78

REQ'D	ITEM	PART NUMBER	DESCRIPTION	SYMBOL
EATON LIST OF MATERIAL				
MATERIAL THE TECHNICAL MATERIEL CORP. MAMARONECK, NEW YORK				
FINISH TITLE DIAGRAM, LOGIC, DETAILED RTID-1				
UNLESS OTHERWISE SPECIFIED DIMENSIONS ARE IN INCHES AND INCLUDE CHEMICALLY APPLIED OR PLATED FINISHES		DRAWN JL	DATE 5/29/65	DATE
SECHALS J ± .08 1/16 ± .01 3/32 ± .005		CHECKED	DATE	DATE
TOLERANCES FRACTIONS 1/16 ± .005 3/32 ± .005 1/8 ± .005 1/4 ± .005 3/8 ± .005 1/2 ± .005 3/4 ± .005 1 ± .005		ELECT. DES. DATE	DATE	DATE
MECH. DES. DATE		DATE	DATE	DATE
SHEET 7 OF 9				REV LTR

REVISIONS					
BY	DESCRIPTION	DATE	EM. NO.	DRAFT	APPD.
10	ORIGINAL RELEASE FOR PRODUCTION	5/1/66	-	JL	
A	SEE SHTS 1 & 2	1/7/66	15535	D.V.V.	
B	DEL TO -10 + AGC FB. 89 THRU 100. 7C3J2008-31 + 7C3J2008-29 WAS AC4J2013-31 - BC4J2013-29 SEE SHEET 1 OF 9	3/18/66	15978	W	

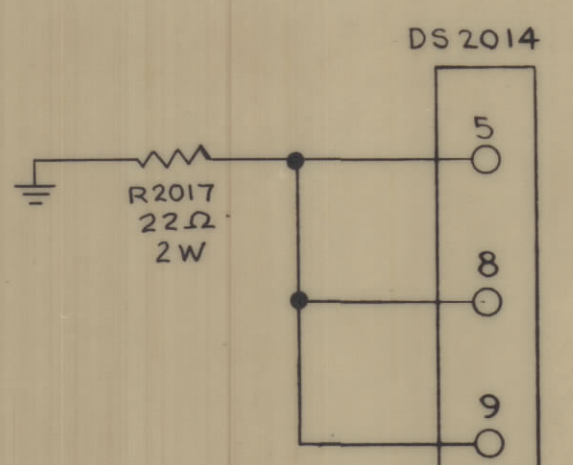
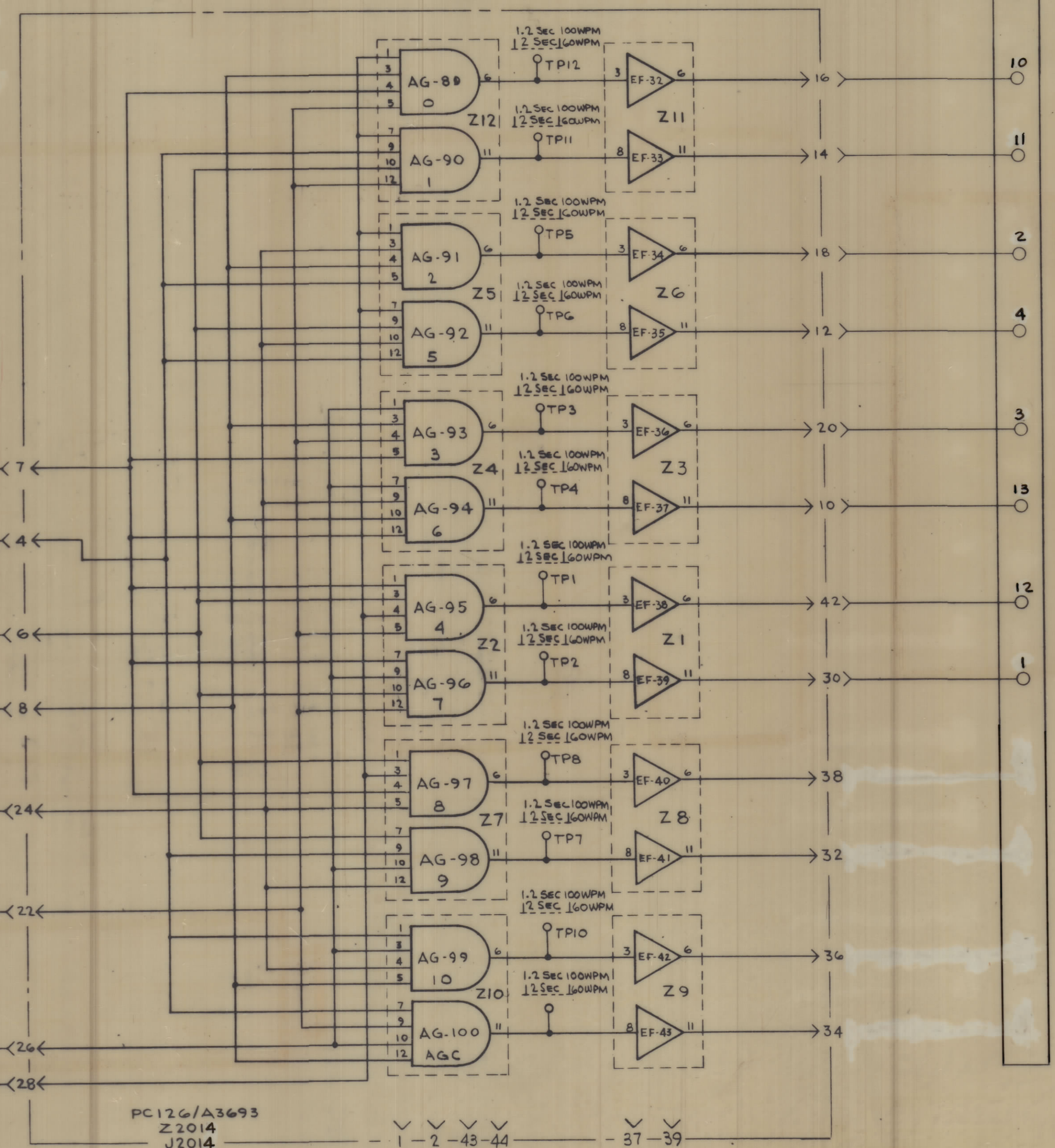
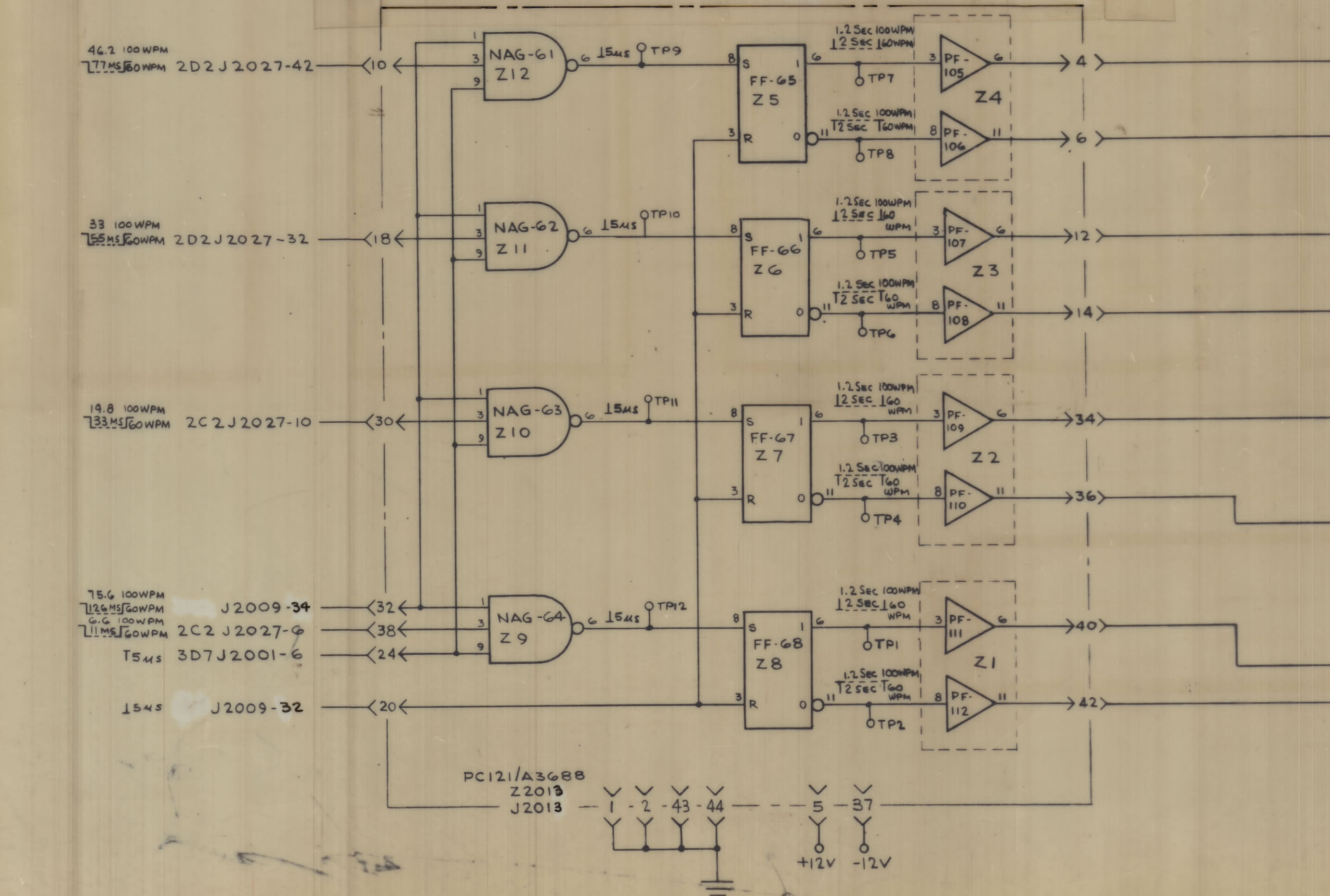
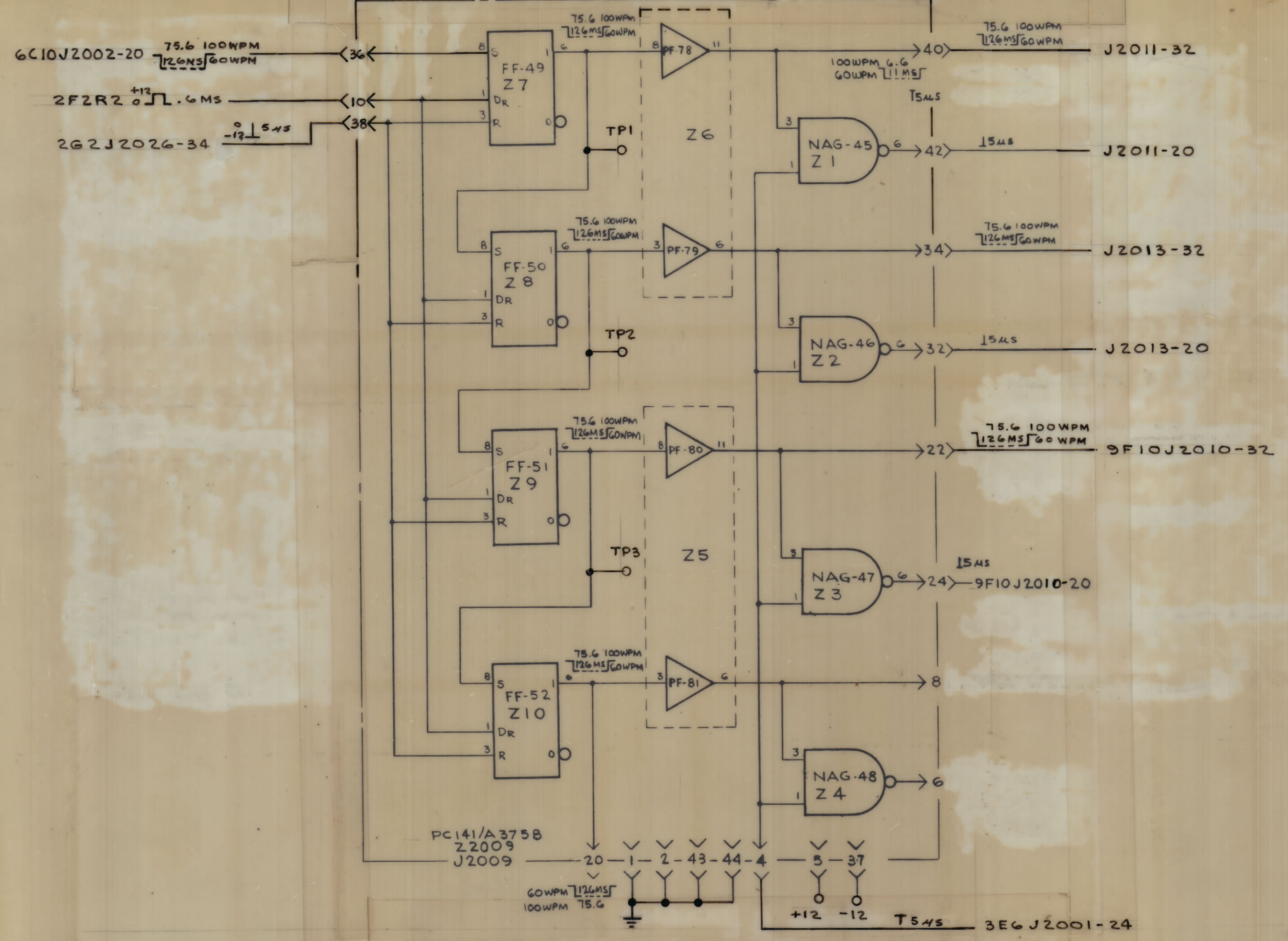


LAST NUMBER USED
 AG 100
 EF 43
 FF 68
 NAG 64
 PF 112

REV. NO.	ITEM	PART NUMBER	DESCRIPTION	SYMBOL
EATON LIST OF MATERIAL				
MATERIAL				
FINISH				
UNLESS OTHERWISE SPECIFIED DIMENSIONS ARE IN INCHES AND INCLUDE CHEMICALLY APPLIED OR PLATED FINISHES				
TOLERANCES				
FRACTIONS				
SHEET 8 OF 9				

THE TECHNICAL MATERIEL CORP.
 MAMARONECK, NEW YORK
 TITLE: DIAGRAM, LOGIC, DETAILED
 RTID-1
 DRAWN: JL DATE: 5/20/65
 CHECKED: [Signature] DATE: 5/20/65
 DESIGNED: [Signature] DATE: [Signature]
 CK990 B
 REV 11

REVISIONS						
SYM	DESCRIPTION	DATE	E.M.N. NO.	DRAFT	CHKD	APPD
Ø	ORIGINAL RELEASE FOR PRODUCTION	5/6/66	-M-	JL		
A	SEE SHTS 1 & 2	1/16/66	15533	PKK		
B	SEE SHTS 1 OF 9 + 8 OF 9	1-18-66	15978	WJW		



HI-PASS FILTER DISPLAY

LAST NUMBER USED	
AG 100	
EF 43	
FF 68	
NAG 64	
PF 112	

REQ'D.	ITEM	PART NUMBER	DESCRIPTION	SYMBOL
EATON LIST OF MATERIAL				
MATERIAL THE TECHNICAL MATERIEL CORP. MAMARONECK, NEW YORK				
FINISH TITLE DIAGRAM, LOGIC, DETAILED RTID-1				
UNLESS OTHERWISE SPECIFIED DRAWN DATE 5/30/66 FINISH APPROVAL DATE 5/30/66				
DIMENSIONS ARE IN INCHES AND INCLUDE CHECKED DATE 5/30/66 CHEMICALLY APPLIED OR PLATED FINISHES				
DECIMALS FRACTIONS SELECT DEN DATE 5/30/66 CK 990 B				
TOLERANCES 2 1/64 33 ± .01 33 ± .009 2 0' 30'				