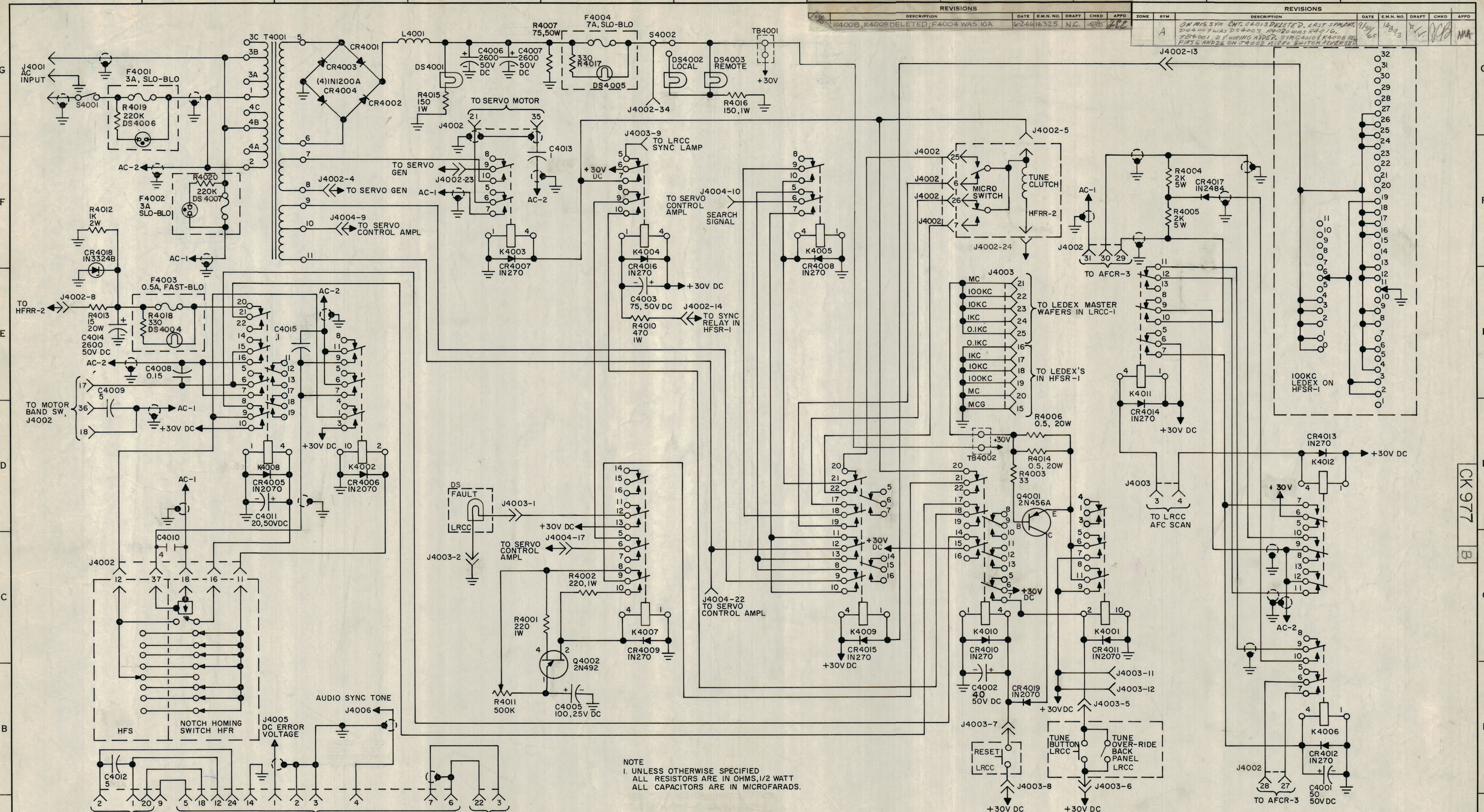


REVISIONS					REVISIONS								
NO.	DESCRIPTION	DATE	E.M.N. NO.	DRAFT	CHKD	APPD	NO.	DESCRIPTION	DATE	E.M.N. NO.	DRAFT	CHKD	APPD
1	R4008, R4009 DELETED; F4004 WAS 10A	6-26-63	16325	N.C.			1	ON MIS SYN CNT. C4013 DELETED. LAST SYMBOL WAS D54003. R4020 WAS R4016. F4001 2 E WIRING ADDED. SYNC AND 100K LEDEX REL. FMS S AND 26 ON J4002 11, 10, 26 SWITCH ADDED.	1/19/65	14893			



NOTE
 1. UNLESS OTHERWISE SPECIFIED
 ALL RESISTORS ARE IN OHMS, 1/2 WATT
 ALL CAPACITORS ARE IN MICROFARADS.

LAST SYMBOLS	MISSING SYMBOLS
C4015	L4001
CR4019	Q4002
DS4007	R4020
F4004	S4002
K4012	T4001
J4006	TB4002
	C4004
	R4008
	R4009

NOTES

QTY./UNIT	MODEL USED ON	ASSY. NO.
SCALE	CODE	

REQ'D.	ITEM	PART NUMBER	DESCRIPTION	SYMBOL
EATON LIST OF MATERIAL				
MATERIAL				
FINISH				
THE TECHNICAL MATERIEL CORP. MAMARONECK, NEW YORK				
TITLE				
DIAGRAM, SCHEMATIC				
UNLESS OTHERWISE SPECIFIED DIMENSIONS ARE IN INCHES AND INCLUDE CHEMICALLY APPLIED OR PLATED FINISHES				
DECIMALS	±.05	FRACTIONS	± 1/64	
ANGLES	±.01	TOLERANCES	± 0° 30'	
MECH. DES.	DATE	DATE	DATE	DATE

CK 977 B

A

REPROV. NO. 4408