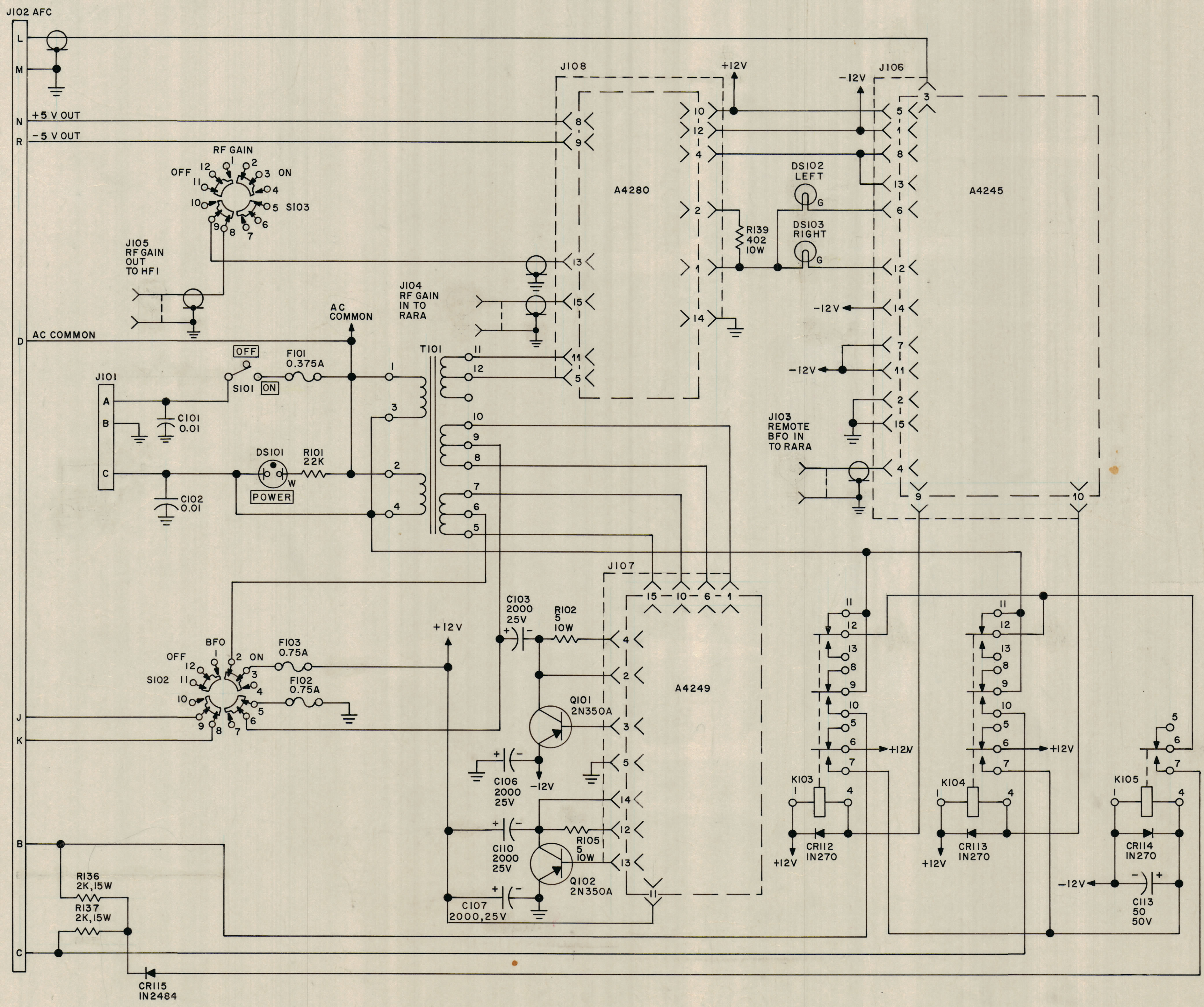


REVISIONS									
ZONE	BYM	DESCRIPTION	DATE	E.M.N. NO.	DRAFT	CHKD	APPD		
0		ORIGINAL RELEASE FOR PRODUCTION	6/6/65			JC	JM		



SYMBOLS		
FIRST	LAST	MISSING
R101	R139	R103, 4, 6 THRU 135, 38
C101	C113	C104, 5, 8, 9, 11, 12
CR112	CR115	
Q101	Q102	
DS101	DS103	
T101	T101	
S101	S103	
F101	F103	
K103	K105	
J101	J108	
R108	R145	R111 THRU 137, 39, 43
C114	C120	
CR109	CR123	CR110 THRU 115
TP101	TP103	
R111	R135	
C111	C122	C113 THRU 120
CR107	CR124	CR109, 112 THRU 123
Q103	Q109	
K101	K102	
R103	R107	R102, 5
C104	C109	C106, 7
CR101	CR106	
L101	L102	

- UNLESS OTHERWISE SPECIFIED -
 1- ALL RESISTOR VALUES ARE IN OHMS, 1/2 WATT.
 2- ALL CAPACITOR VALUES ARE IN MICROFARADS.
 3- ALL ROTARY SWITCHES ARE IN ON POSITION.
 4- ALL RELAYS ARE IN DE-ENERGIZED POSITION.

NOTES

RGCB-1		ASBY. NO.
QTY/UNIT	MODEL USED ON	
SCALE	CODE	

THE CONTENTS OF THIS DRAWING ARE THE EXCLUSIVE PROPERTY OF THE TECHNICAL MATERIEL CORP. ITS UNAUTHORIZED USE OR REPRODUCTION IN WHOLE OR IN PART IS STRICTLY FORBIDDEN.

REQ'D.	ITEM	PART NUMBER	DESCRIPTION	SYMBOL
EATON LIST OF MATERIAL				
MATERIAL				
FINISH				
UNLESS OTHERWISE SPECIFIED DIMENSIONS ARE IN INCHES AND INCLUDE CHEMICALLY APPLIED OR PLATED FINISHES				
DECIMALS	± .05	FRACTIONS	± 1/64	ANGLES
XX ± .01			± 0° 30'	
XXX ± .005				
DRAWN		DATE		FINAL APPROVAL
NIDA SER		6-14-65		
CHECKED		DATE		
JCS		6/16/65		
ELECT. DES.		DATE		
JCS		6/16/65		
MECH. DES.		DATE		
TITLE				CK972
THE TECHNICAL MATERIEL CORP.				
MAMARONECK, NEW YORK				
DIAGRAM, SCHEMATIC				
SHEET				REV. LTR.

CK972