

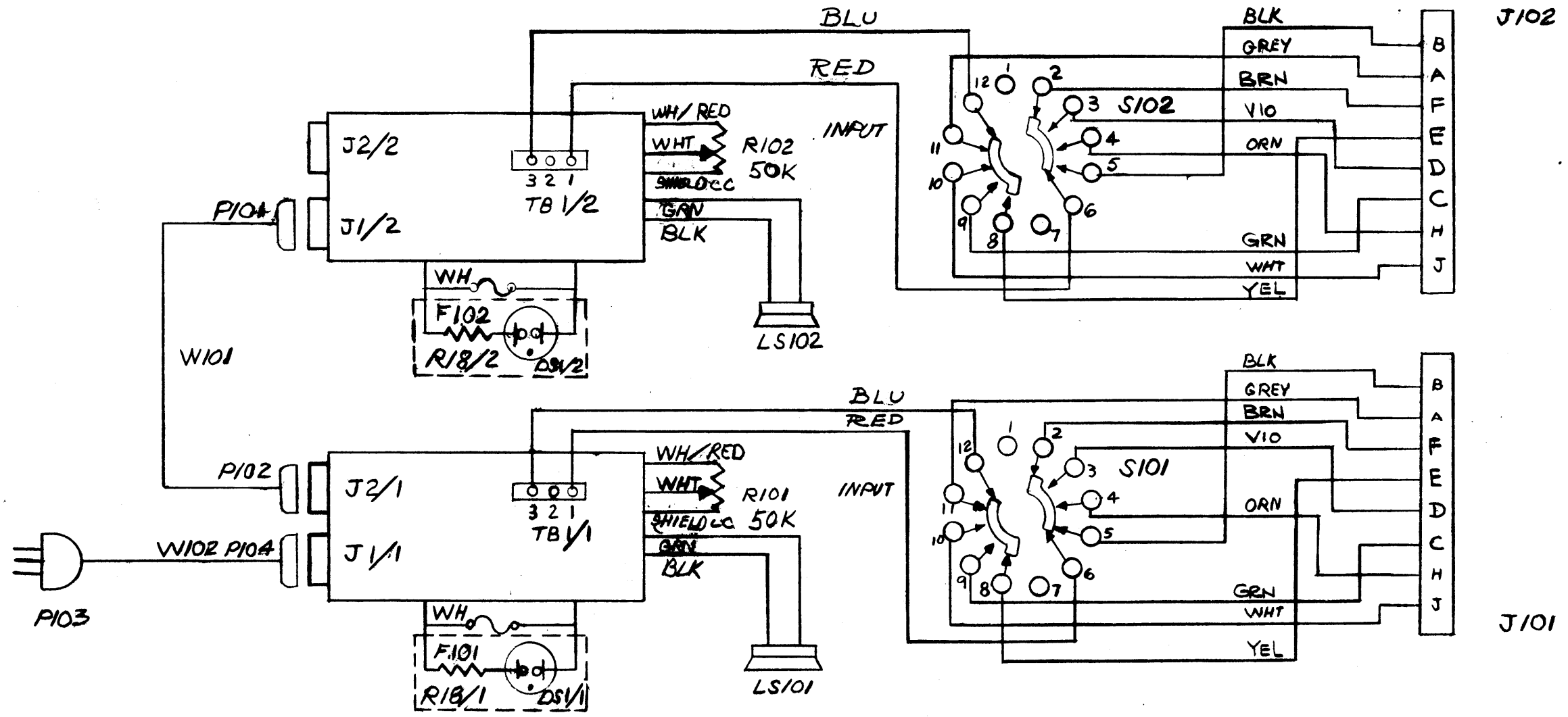
FUSES F101 & F102
 .1 AMP FOR 115V OPERATION
 .062 AMP FOR 230V OPERATION

AUDIO AMPLIFIERS (SEE NOTE)

CK962

REVISIONS

SYM	DESCRIPTION	DATE	E.M.N. NO.	DRAFT	CHKD	APFD
Ø	ORIGINAL RELEASE FOR PRODUCTION	4-21-65	-	CJL		
A	R101 & R102: VAL. WAS 25K. W&P SYM CHGD	5-10-65	14068		JL	
B	LEAD COLORS ON TB1/2, TB1/1 REVERSED PIN #S J101, J102 CLARIFIED S.W. NOTE CLARIFIED (B2 WAS A1)	4/25/65	14356	HQ	HQ	
C	ON J101 & 102 WIRE COLORS CHGD.	2-7-66	15722	NLA		



NOTE:
 FOR SCHEMATIC DIAGRAM OF
 AUDIO AMPLIFIERS (TMC NO. AZ102)
 SEE CK 751
 W101 USED ONLY WHEN THIS
 UNIT IS SHIPPED ALONE.

NOTE:
 SWITCH VIEWED FROM KNOB
 END IN B2 POSITION

BSP-6B	
Q'TY./UNIT	MODEL USED ON
	A
SCALE	ASS'Y. NO.

THE CONTENTS OF THIS DRAWING ARE THE EXCLUSIVE PROPERTY
 OF THE TECHNICAL MATERIEL CORP. ITS UNAUTHORIZED USE OR
 REPRODUCTION IN WHOLE OR IN PART IS STRICTLY FORBIDDEN.

REQ'D.	ITEM	PART NUMBER	DESCRIPTION	SYMBOL
HAY				
MATERIAL			THE TECHNICAL MATERIEL CORP.	
FINISH			MAMARONECK, NEW YORK	
			DIAGRAM, SCHEMATIC	
UNLESS OTHERWISE SPECIFIED DIMENSIONS ARE IN INCHES AND INCLUDE CHEMICALLY APPLIED OR PLATED FINISHES			DRAWN: C. Longo CHECKED: [Signature] ELECT. DES. [Signature] MECH. DES. [Signature]	DATE: 4-21-65 DATE: 4/29/65 DATE: 4/29/65
DECIMALS .X ± .05 .XX ± .01 .XXX ± .005	TOLERANCES	FRACTI NS ± 1/64 ANGLES ± 0° 30'	FINAL APPROV: [Signature] CK962	DATE: 4/29/65 SHEET: C REV. LTR.

NOTES