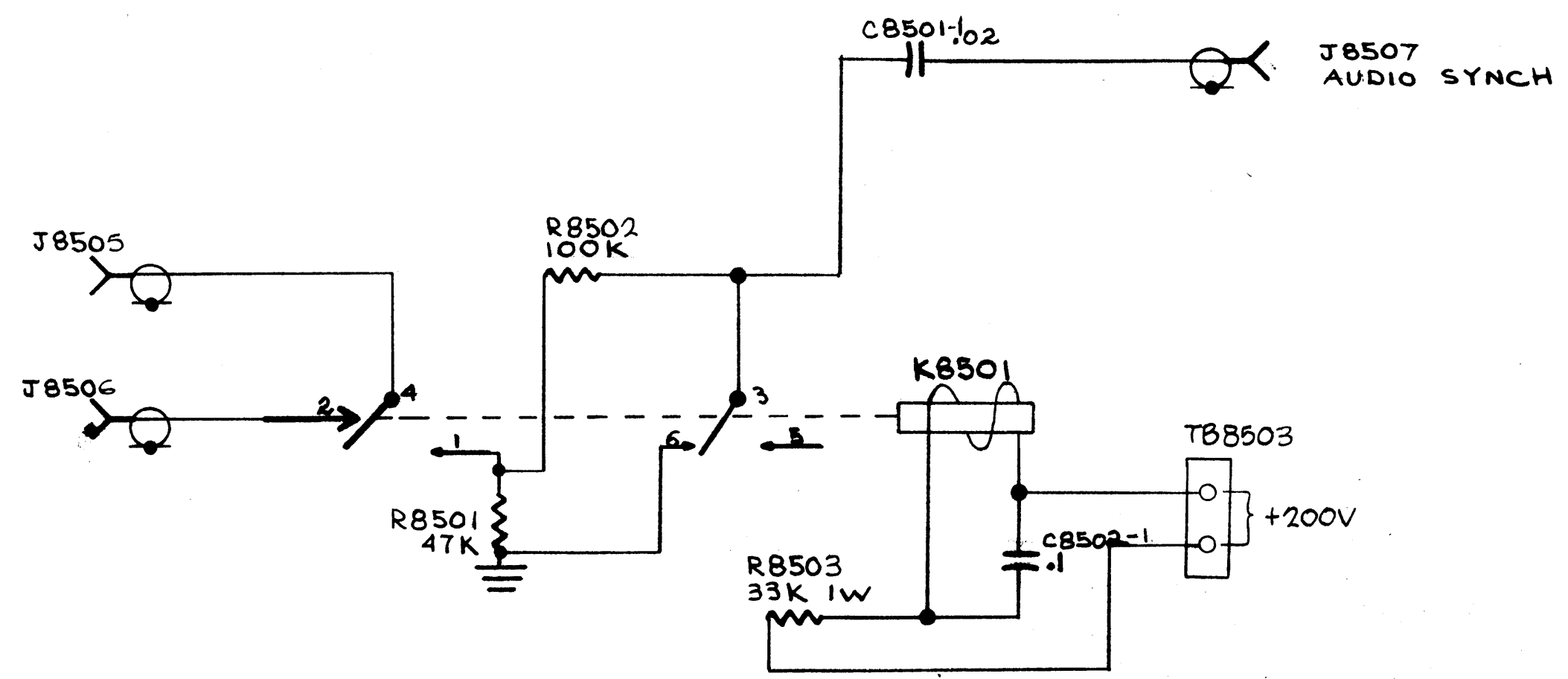


CK934 A

REVISIONS						
SYM	DESCRIPTION	DATE	E.M.N. NO.	DRAFT	CHKD	APPD
XI	R8505, R8506 & R8507 WERE R8501, R8502 & R8503	5/14/65	AA			
Ø	ORIGINAL RELEASE FOR PRODUCTION	12/3/65				
A	J8505 WAS J8503, J8506 WAS J8504, J8507 WAS J8505 R8502 WAS R8505, R8501 WAS R8506, R8503 WAS R8507 TB 8503 WAS TB8501, C8501 & C8502 (F) ADDED	2-2-66	15706			



REQ'D.	ITEM	PART NUMBER	DESCRIPTION	SYMBOL
STURMER LIST OF MATERIAL				
MATERIAL			THE TECHNICAL MATERIEL CORP. MAMARONECK, NEW YORK	
FINISH			TITLE DIAGRAM, SCHEMATIC SYNCH TONE RELAY	
UNLESS OTHERWISE SPECIFIED DIMENSIONS ARE IN INCHES AND INCLUDE CHEMICALLY APPLIED OR PLATED FINISHES			DRAWN	DATE
			TM	12-3-65
DECIMALS .X ± .05 .XX ± .01 .XXX ± .005			CHECKED	DATE
			JCS	12-3-65
TOLERANCES			ELECT. DES.	DATE
FRACTIONS ± 1/64 ANGLES ± 0° 30'			MECH. DES.	DATE
MIL 2/8			12/3/65	REV. LTH.

Q'TY./UNIT	MODEL USED ON	ASS'Y. NO.
	RAK-22B	
	RAK-96-2	
	RAK 55	
SCALE	CODE	

NOTES

THE CONTENTS OF THIS DRAWING ARE THE EXCLUSIVE PROPERTY OF THE TECHNICAL MATERIEL CORP. ITS UNAUTHORIZED USE OR REPRODUCTION IN WHOLE OR IN PART IS STRICTLY FORBIDDEN.