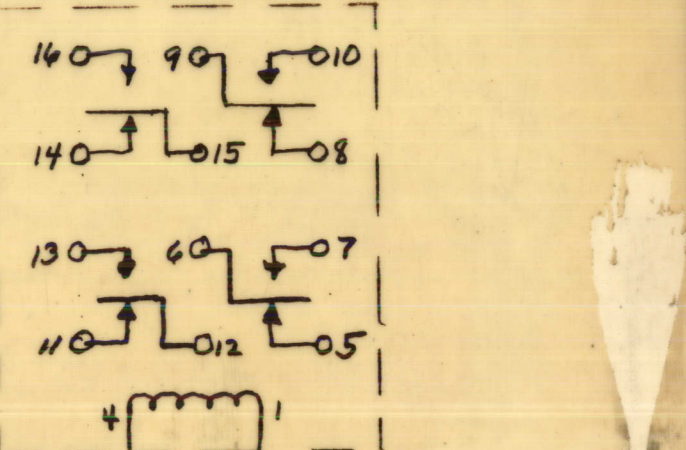
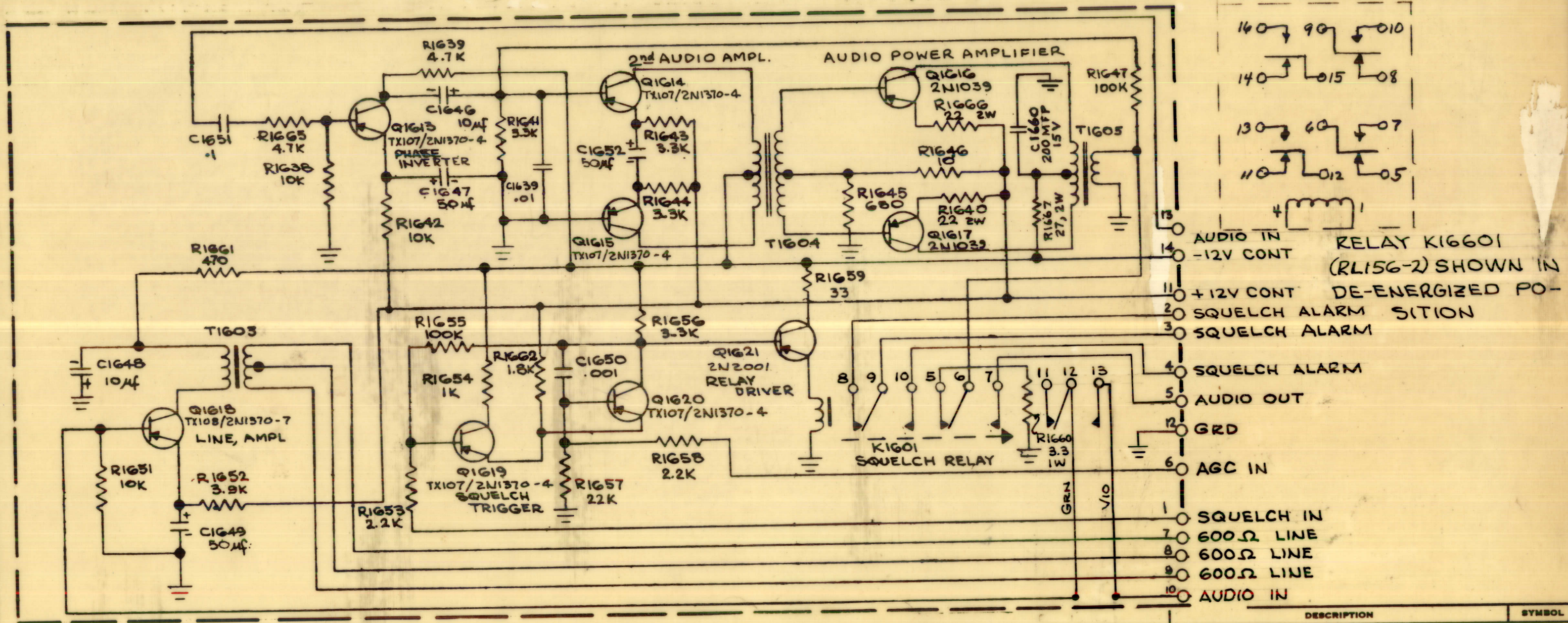


CK917 A

REVISIONS		DATE	E.M.N. NO.	DRAFT	CHKD	APPD
X	EXPERIMENTAL RELEASE	2-16-65		HLA		
Ø	ORIGINAL RELEASE FOR PRODUCTION	2/2/65				
A	IDENT. INFO ADDED; "MOD. USED ON" UPDATE TITLE CLARIFIED; "JUMPER REMOVE DELETED" RCVR AUDIO BOARD NOTE DELETED	10/19/66	17057	HLA		



- 13 AUDIO IN
- 14 -12V CONT
- 11 +12V CONT
- 2 SQUELCH ALARM
- 3 SQUELCH ALARM
- 4 SQUELCH ALARM
- 5 AUDIO OUT
- 12 GRD
- 6 AGC IN
- 1 SQUELCH IN
- 7 600Ω LINE
- 8 600Ω LINE
- 9 600Ω LINE
- 10 AUDIO IN

NOTES

STR-1, STR-2	SMR-1, STR-3, SMR-2	TTR-10, STR-1
QTY./UNIT	MODEL USED ON	ASS'Y. NO.
SCALE	CODE	

THE CONTENTS OF THIS DRAWING ARE THE EXCLUSIVE PROPERTY OF THE TECHNICAL MATERIEL CORP. ITS UNAUTHORIZED USE OR REPRODUCTION IN WHOLE OR IN PART IS STRICTLY FORBIDDEN.

LIST OF MATERIAL		DESCRIPTION		SYMBOL	
POSE		THE TECHNICAL MATERIEL CORP.		MAMARONECK, NEW YORK	
MATERIAL		TITLE			
FINISH		SCHEMATIC DIAGRAM			
UNLESS OTHERWISE SPECIFIED		AUDIO BOARD - A3190			
DIMENSIONS ARE IN INCHES AND INCLUDE		DRAWN HLA		DATE 2-16-65	
CHEMICALLY APPLIED OR PLATED FINISHES		CHECKED J.L.		DATE 3/28/65	
DECIMALS		ELECT. DES.		DATE	
.X ± .05		MECH. DES.		DATE	
.XX ± .01		SHEET		REV. LTR.	
.XXX ± .005		CK917		A	
TOLERANCES		M/L 28		12/3	
FRACTIONS ± 1/64		CURRENCY NO. 140M		16224	
ANGLES ± 0° 30'					