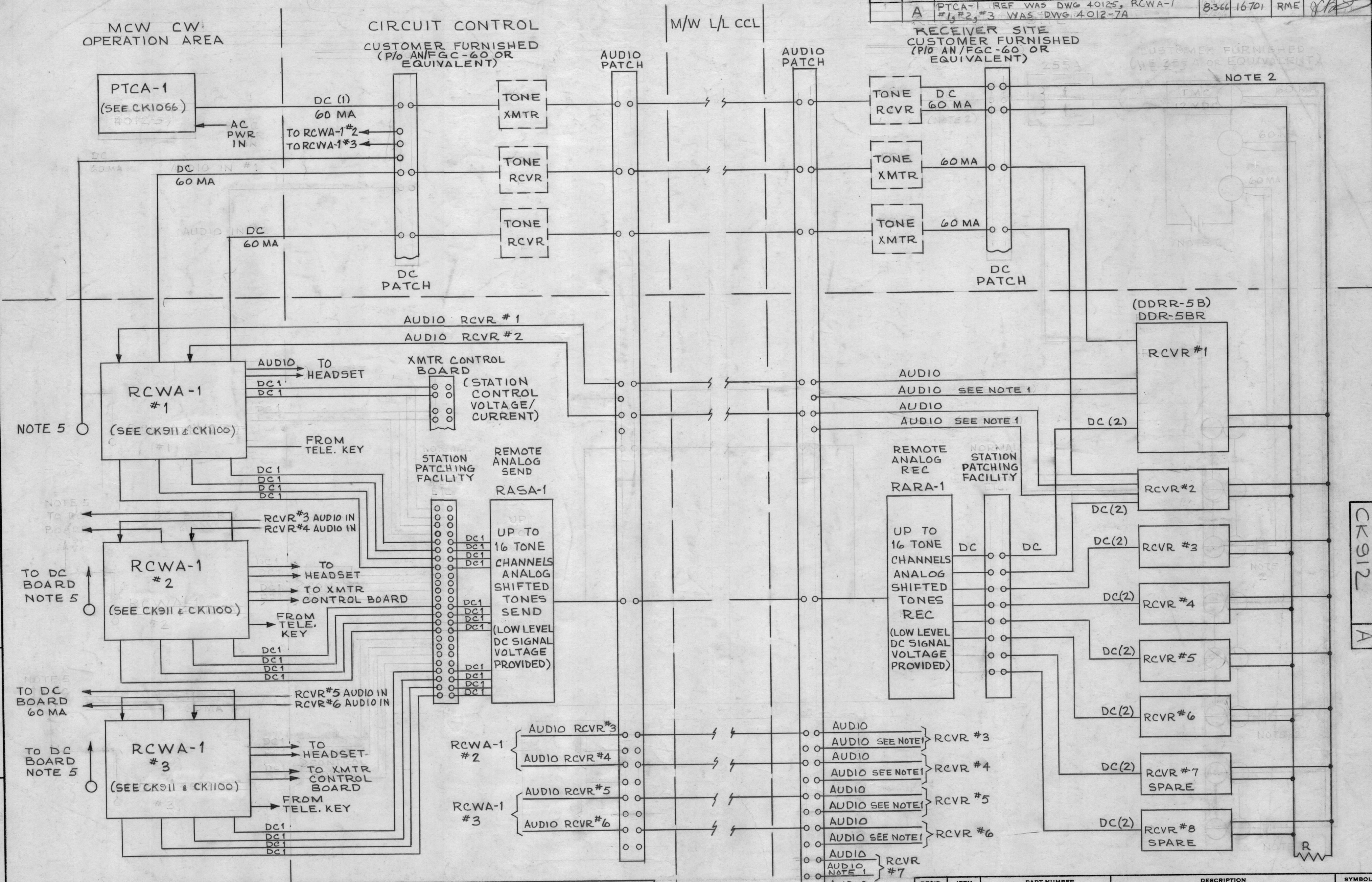


| REVISIONS |     |   |  |  | DATE   | E.M.N. NO. | DRAFT | CHKD | APPD |
|-----------|-----|---|--|--|--------|------------|-------|------|------|
| ZONE      | SYM | DESCRIPTION   |  |  |        |            |       |      |      |
| A         |     | PTCA-1 REF WAS DWG 40125, RCWA-1 #1, #2, #3 WAS DWG 4012-7A |  |  | 8-3-66 | 16701      | RME   |      |      |



DC - UP TO 75 BAUD  
AF - 3KC CHANNEL

NOTE: 4 - SPARE RCVR'S ARE TERMINATED ON DC AND AUDIO PATCH BOARD.

5 - FOR PORTABLE PROGRAMMER PTCA-1, APPROPRIATE DC JACK MOUNTED ON OPERATORS POSITION.

NOTE: 1 - SECOND AUDIO CHANNEL EXTENDED FOR FUTURE ISB USE.

2 - RECEIVERS MAYBE ADDED IN PARALLEL AS LONG AS LOOP RESISTANCE DOESN'T BECOME EXCESSIVE AND MAXIMUM VOLTAGE ACROSS LOOP IS 120V D.C.

3 - WIRING FOR RCWA-1 #2 AND #3 INCLUDING TONE REC CHANNELS SAME AS SHOWN FOR RCWA-1 #1.

4 - READBACK CIRCUITS FOR RCVR'S #3, #4, #5 AND #6 ARE SAME AS SHOWN FOR RCVR'S #1 AND #2.

NOTES

| REQ'D.  | ITEM | PART NUMBER | DESCRIPTION  | SYMBOL |
|---|------|-------------|--|--------|
| <b>LIST OF MATERIAL 4012-7</b>  |      |             |  |        |
| <b>THE TECHNICAL MATERIEL CORP.</b><br>MAMARONECK, NEW YORK   |      |             |  |        |
| MATERIAL  |      |             | TITLE<br>FUNCTIONAL INTERCONNECTING BLOCK DIAGRAM<br>TECHNIMATIC CONTROL INCLUDING MANUAL CW OPER. |        |
| FINISH  |      |             | DRAWN<br>M. TANTILLO   |        |
| UNLESS OTHERWISE SPECIFIED<br>DIMENSIONS ARE IN INCHES AND INCLUDE<br>CHEMICALLY APPLIED OR PLATED FINISHES   |      |             | DATE<br>8-12-64  |        |
| DECIMALS<br>.X ± .05<br>.XX ± .01<br>.XXX ± .005  |      |             | FINAL APPROVAL<br><i>[Signature]</i><br>DATE<br>12/17/65   |        |
| FRACTIONS<br>± 1/64<br>ANGLES<br>± 0° 30'   |      |             | DATE<br>CK 912   |        |
| TOLERANCES  |      |             | DATE   |        |
| SCALE   |      |             | SHEET  |        |
| THE CONTENTS OF THIS DRAWING ARE THE EXCLUSIVE PROPERTY OF THE TECHNICAL MATERIEL CORP. ITS UNAUTHORIZED USE OR REPRODUCTION IN WHOLE OR IN PART IS STRICTLY FORBIDDEN. |      |             | REV. LTR.  |        |

CK 912 A