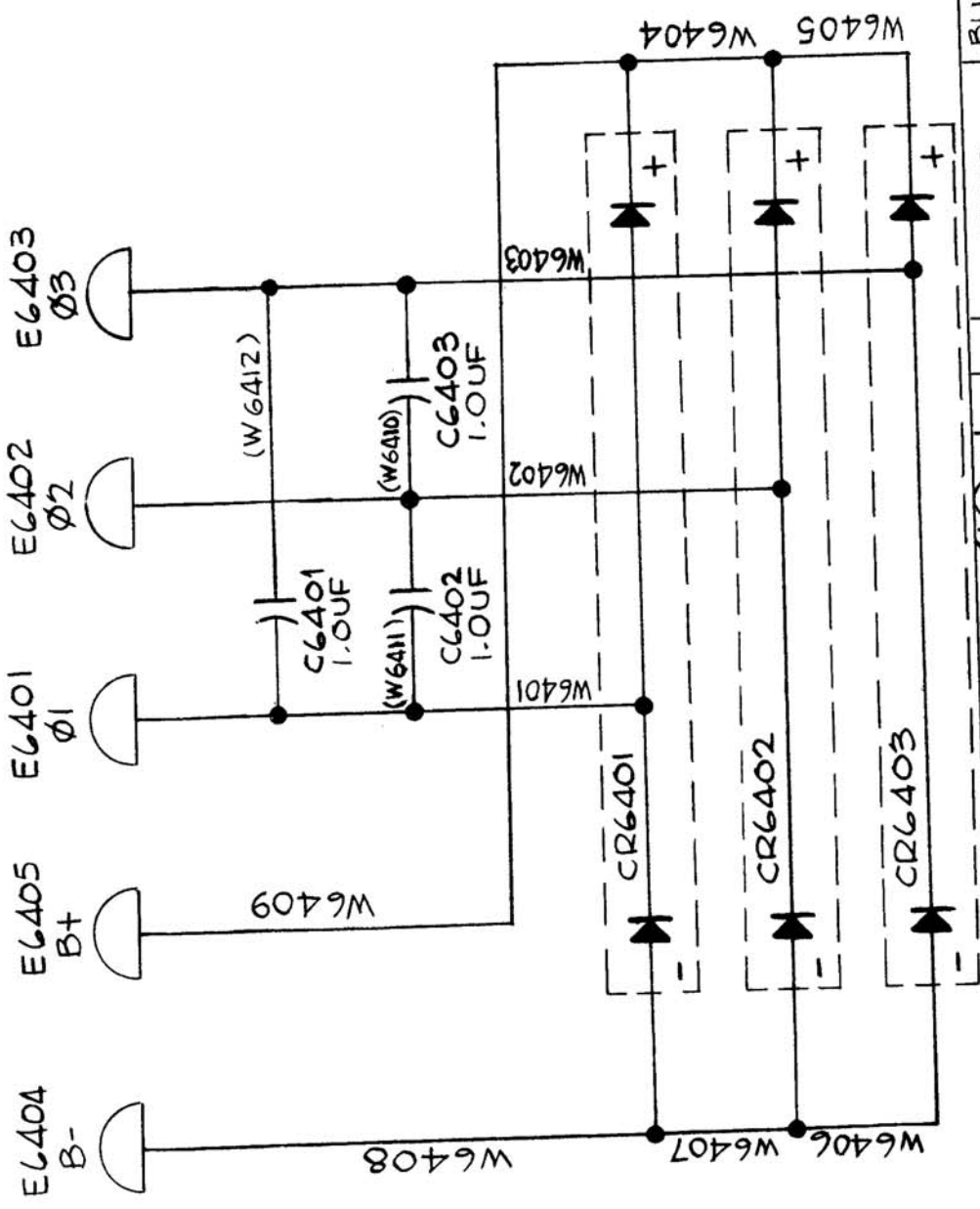


CK901 B

USED ON  
 REQ. UNIT  
 MODEL HVRA-1  
 ASSY. NO.  
 DATE 1-20-66



SYMBOL	DESCRIPTION	PART NO.	REQ. ITEM	BUDETTI	DESCRIPTION	SYMBOL
B	REV. "C" Symbols (C6401, 2, 3)	15968	HLA	3-21-66	THE TECHNICAL MATERIEL CORP. MAMARONECK, NEW YORK	CK901 B
A	W6410, 11, 12 RELOCATED E6404 WAS E6401, E6405 WAS E6407, E6401 WAS E6406 E6402 WAS E6405, E6403 WAS E6403	15853	G.D.L	3-3-66	DIAGRAM, SCHEMATIC	CK901 B
Ø	ORIGINAL RELEASE FOR PRODUCTION	M	Jc	1/20/66	J.C.	1/20/66
SYM	DESCRIPTION	DATE	CH. NO.	DRAFTS	CHECKER	ENG. APP.
	UNLESS OTHERWISE SPECIFIED DIMENSIONS ARE IN INCHES AND INCLUDE CHEMICALLY APPLIED OR PLATED FINISHES					
	TOLERANCES					
	DECIMALS					
	.X ± .05					
	.XX ± .01					
	.XXX ± .005					
	SCALE					
	TYPE & TEMPER	HEAT TREAT. SPEC.				
	FINISH & SPEG. NO.					
	ELEC. DES. APP. MECH. DES. APP.					
	DRAWN	CHECKED				
	FINAL APPROVAL					