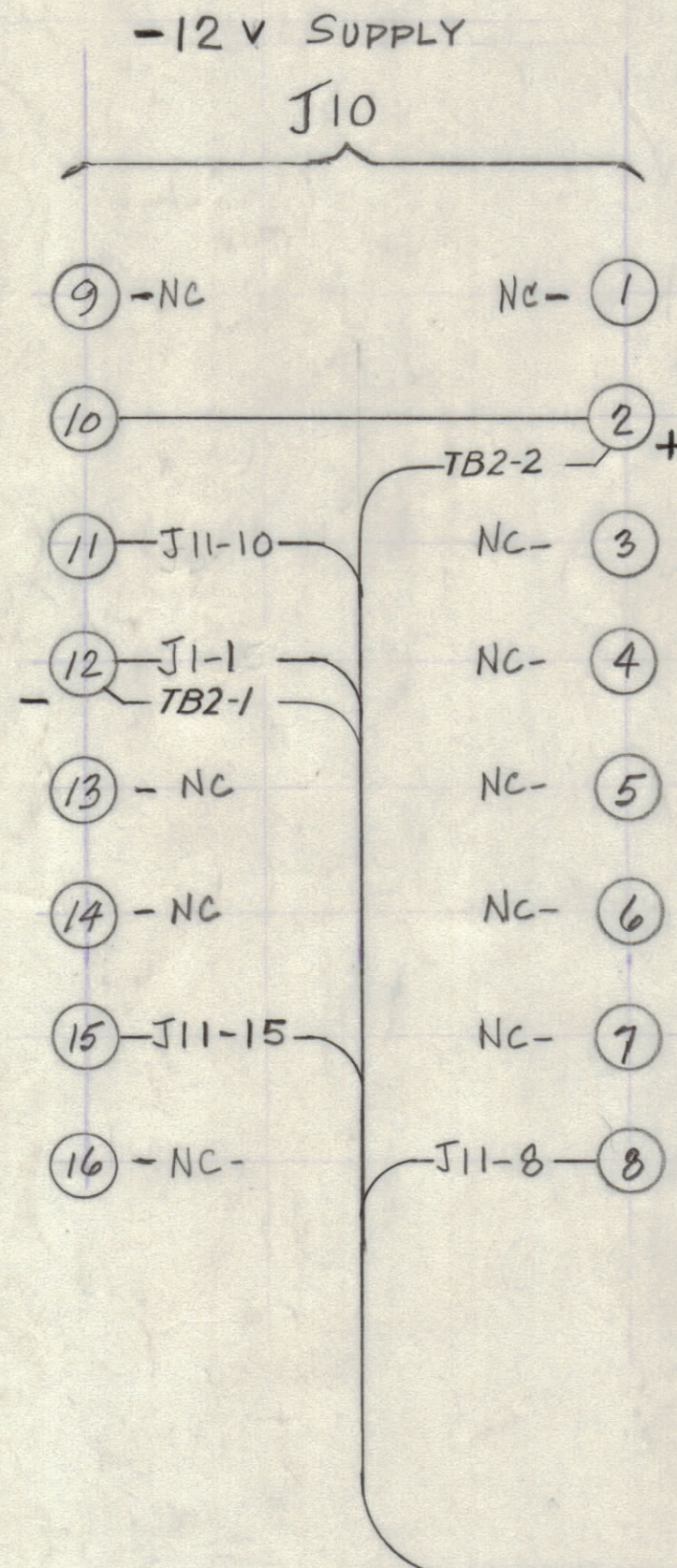
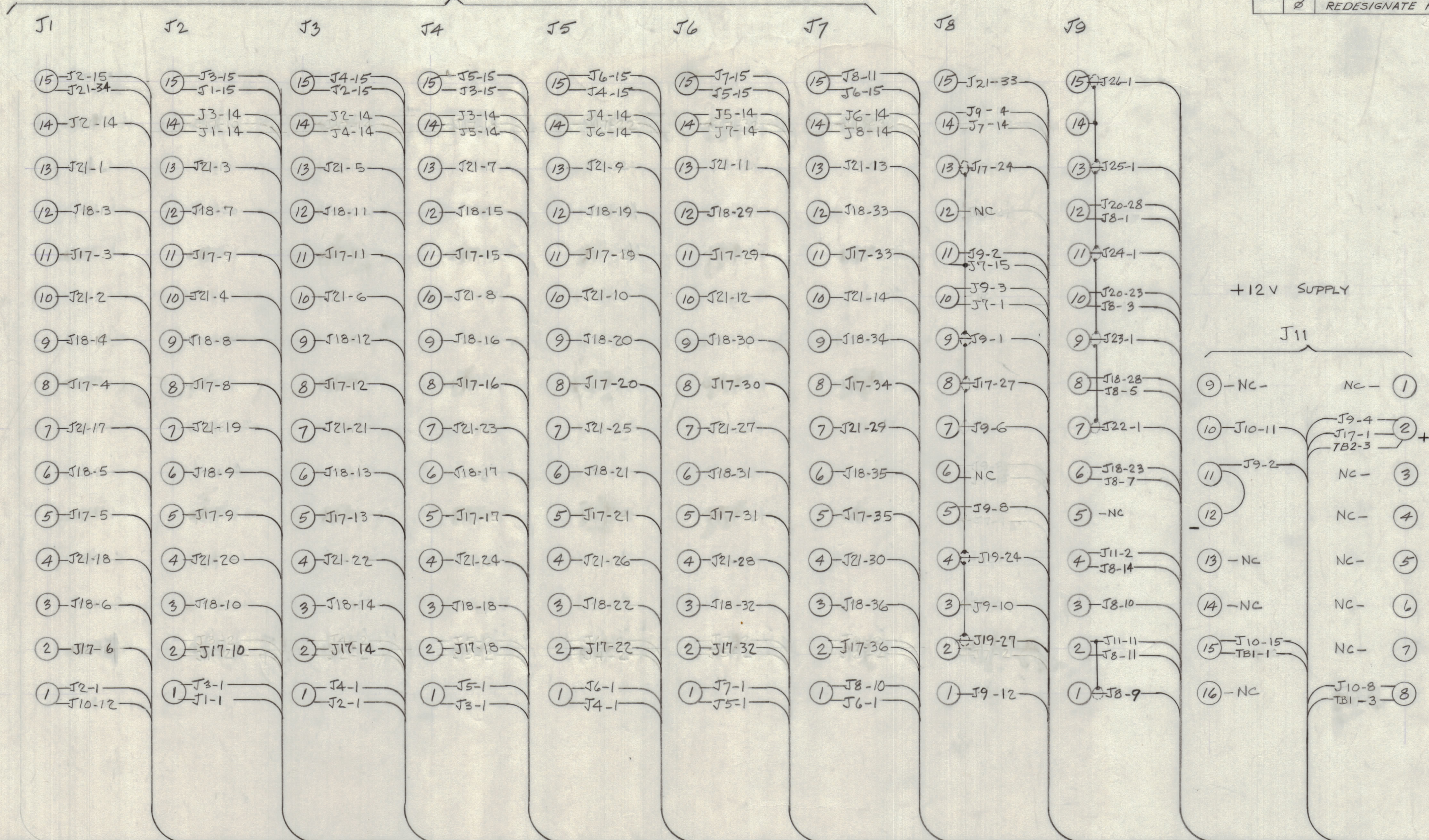


REVISIONS							
ZONE	LTR	DESCRIPTION	DATE	E.M.N.NO	DRAFT	CHKD	APPD
ALL	A	GENERAL REVISIONS	5-1-68	-	JFP	JFP	JFP
ALL	B	GENERAL REVISIONS	5-14-68	-	L.M.C.D	JFP	JFP
		REDESIGNATE PIN 40F12D7193	6-9-68		C. G. 222		JFP

LOGIC-BUFFER

CONTROL PULSE GENERATOR COMMUTATOR



CONTINUED ON SHEET 2

PIN NO.	LOGIC-BUFFER KEY
15	GROUND
14	+12 VOLTS DC
13	1 IN
12	T OUT
11	1 OUT
10	2 IN
9	2 OUT
8	2 OUT
7	4 IN
6	4 OUT
5	4 OUT
4	8 IN
3	8 OUT
2	8 OUT
1	-12 VOLTS DC

VIEW FROM REAR

I	SPT 3KVHF	AX8033
QTY / UNIT	MODEL USED ON	ASS'Y NO.
APPLICATION		
CODE		
MATERIAL		
FINISH		

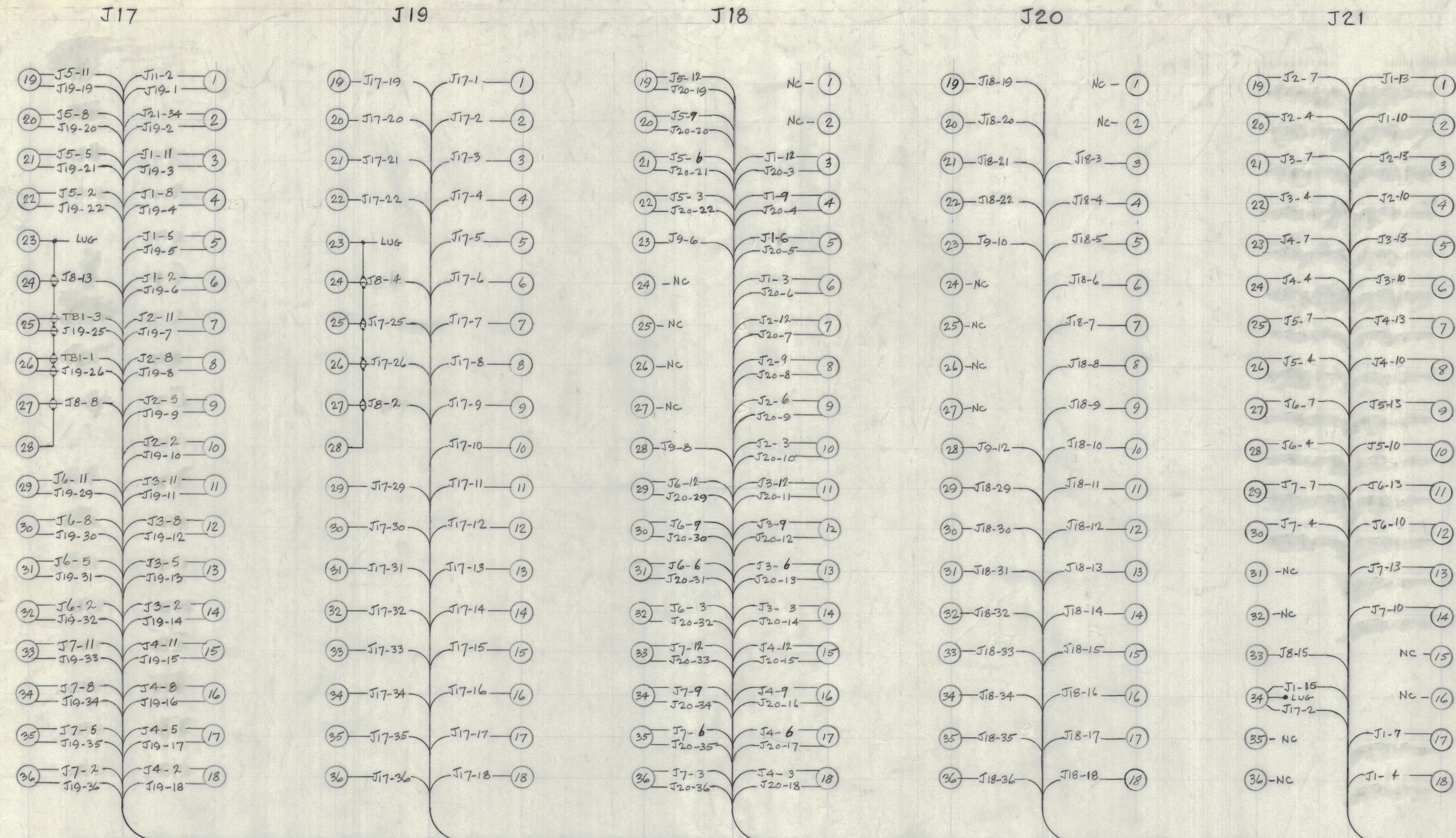
UNLESS OTHERWISE SPECIFIED DIMENSIONS ARE IN INCHES AND INCLUDE CHEMICALLY APPLIED OR PLATED FINISHES		FINAL APPROVAL JFP	DATE 5-2-68
TOLERANCES ON		ELECT. DES. L. B.	DATE 3-19-68
DECIMALS .X ± .05 .XX ± .01 .XXX ± .005	FRACTIONS ± 1/64 ANGLES ± 0°-30'	CHECKED JFP	DATE 5-1-68
DRAWN J.F.P.		DATE 5-1-68	

QTY. REQ.	ITEM	PART NO.	DESCRIPTION	SYMBOL
LIST OF MATERIAL				
THE TECHNICAL MATERIEL CORP. MAMARONECK, NEW YORK				
WIRING ACCESSORY CABINET AX 8033				
SIZE	CODE IDENT. NO.	DWG NO.	ISSUE	
D	82679	401 CK8114	1	
SCALE				
SHEET 1 OF 2				

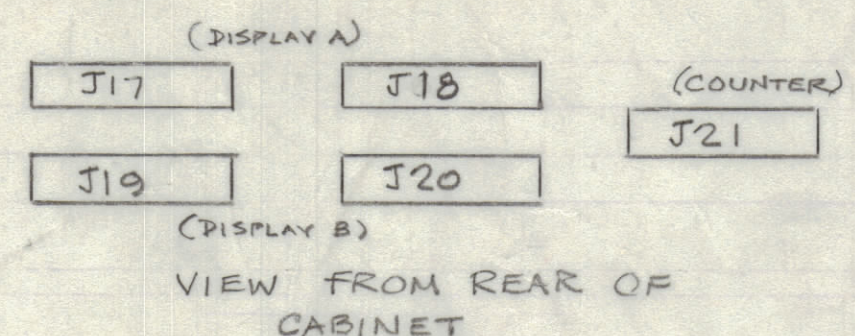
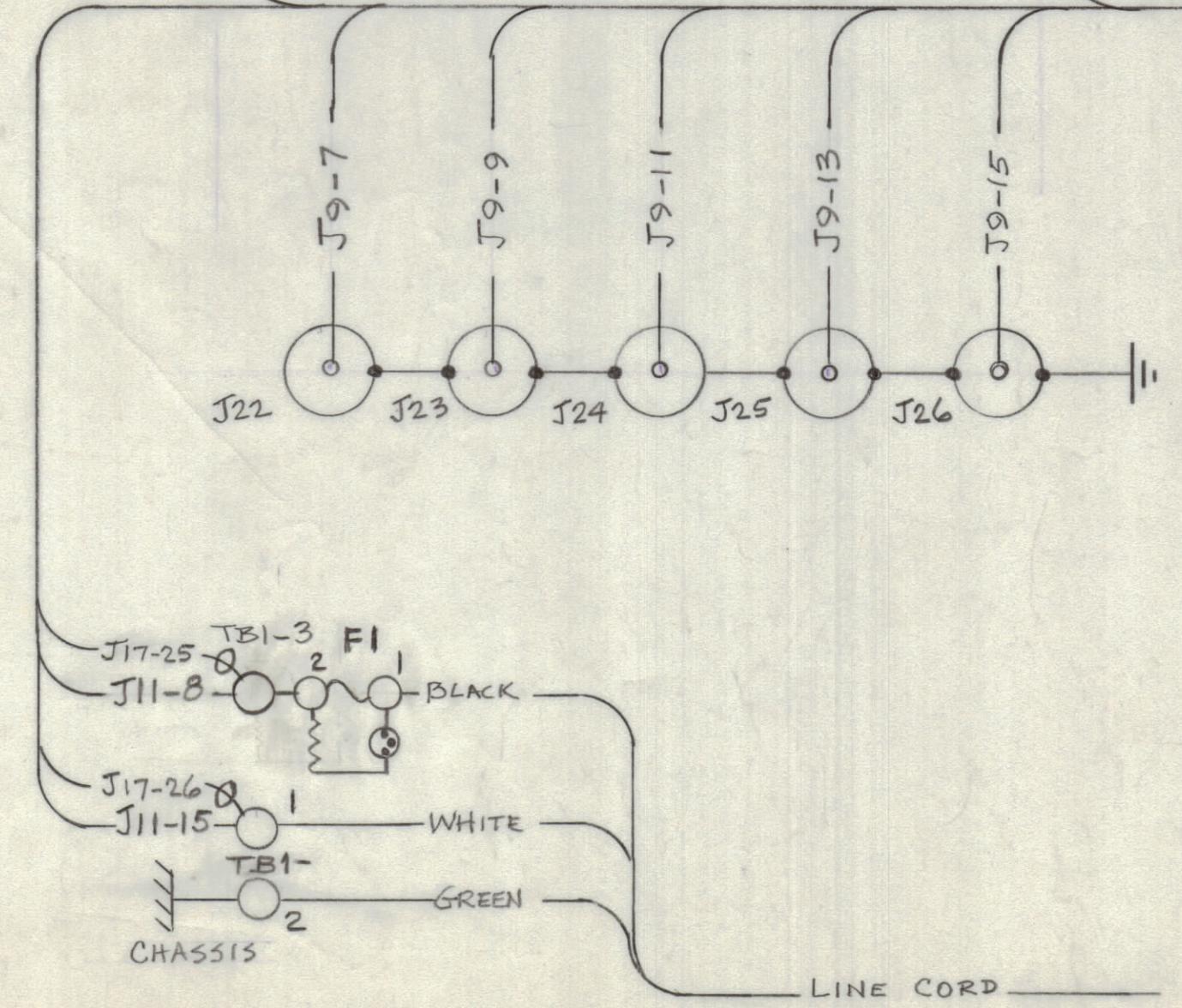
NOTICE TO PERSONS RECEIVING THIS DRAWING
THE TECHNICAL MATERIEL CORPORATION claims proprietary right in the material disclosed hereon. This drawing is issued in confidence for engineering information only and may not be reproduced or used to manufacture anything shown hereon without permission from THE TECHNICAL MATERIEL CORPORATION to the user. This drawing is loaned for mutual assistance and is subject to recall at any time.

REAR VIEW OF CONNECTORS

ZONE		LTR	DESCRIPTION	DATE	E.M.N.NO	DRAFT	CHKD	APPD
ALL	A		GENERAL REVISIONS	5-2-68				JFP
ALL	B		GENERAL REVISIONS	5-14-68				JFP



CONTINUED FROM SHEET 1



1	SPT-3KVHF	AX8033
QTY / UNIT	MODEL USED ON	ASS'Y NO.
APPLICATION		
CODE		
MATERIAL		
FINISH		

UNLESS OTHERWISE SPECIFIED DIMENSIONS ARE IN INCHES AND INCLUDE CHEMICALLY APPLIED OR PLATED FINISHES	
DECIMALS .X ± .05 .XX ± .01 .XXX ± .005	FRACTIONS 1/64 ANGLES ± 0°-30'

QTY REQ.	ITEM	PART NO.	DESCRIPTION	SYMBOL
LIST OF MATERIAL				
THE TECHNICAL MATERIEL CORP. MAMARONECK, NEW YORK				
WIRING ACCESSORY CABINET AX 8033				
SIZE	CODE IDENT. NO.	DWG. NO.	ISSUE	
D	82679	CK8114	Ø	
SCALE			SHEET 2 OF 2	

NOTICE TO PERSONS RECEIVING THIS DRAWING
THE TECHNICAL MATERIEL CORPORATION claims proprietary right in the material disclosed herein. This drawing is issued in confidence for engineering information only and may not be reproduced or used to manufacture anything shown herein without permission from THE TECHNICAL MATERIEL CORPORATION to the user. This drawing is loaned for mutual assistance and is subject to recall at any time.

CK8114