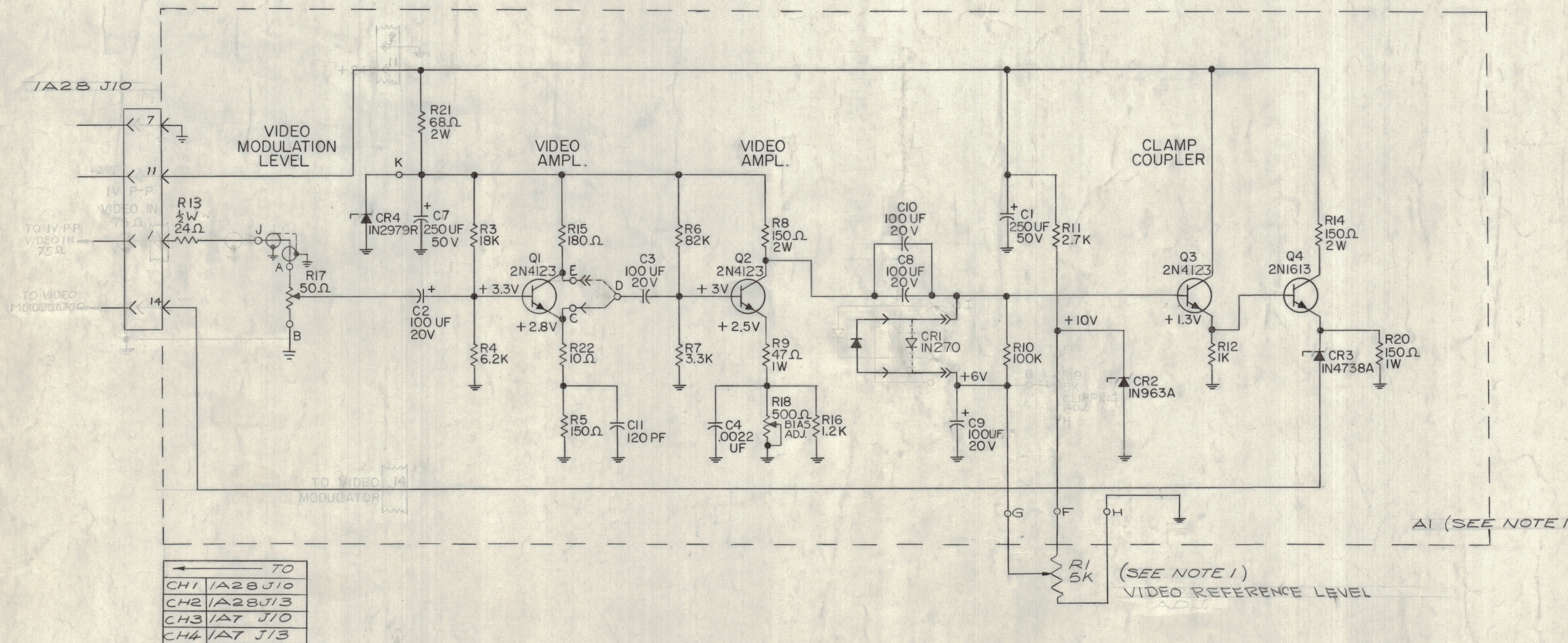


REVISIONS							
ZONE	LTR	DESCRIPTION	DATE	E.M.N.NO	DRAFT	CHKD	APPD
	F	REVISED & REDRAWN	5/27/68			JFP	JFP
	X	REDRAWN 40E1207004	1-5-68			C. GARD	JFP
	B	CHANGE TRANSISTORS	10-23-67			C. GARD	JFP
	A	REVISED & UPDATED	3/11/69		A	GE	JFP
	B	VID REF LEVEL WAS CLIPPING ADJ	7/11/69			W. L. BIRD	JFP



TO	
CH1	1A28 J10
CH2	1A28 J13
CH3	1A7 J10
CH4	1A7 J13

NOTE 1
PREFIXED BY

CH1	1A28 A7
CH2	1A28 A4
CH3	1A7 A7
CH4	1A7 A4

QTY. REQ.	ITEM	PART NO.	DESCRIPTION	SYMBOL
LIST OF MATERIAL				
THE TECHNICAL MATERIEL CORP. MAMARONECK, NEW YORK				
SCHEMATIC VIDEO PROCESSING AMPLIFIER AX 8032				
MATERIAL		SIZE	CODE IDENT. NO.	DWG NO.
FINISH		D	82679	CK8105
SCALE				SHEET 1 OF 1

APPLICATION		MODEL USED ON	ASS'Y NO.
SPT-3KVHF		AX 8032	
NOTICE TO PERSONS RECEIVING THIS DRAWING			
<small>THE TECHNICAL MATERIEL CORPORATION claims proprietary right in the material disclosed hereon. This drawing is issued in confidence for engineering information only and may not be reproduced or used to manufacture anything shown hereon without permission from THE TECHNICAL MATERIEL CORPORATION to the user. This drawing is loaned for mutual assistance and is subject to recall at any time.</small>			

TOLERANCES ON		DATE
DECIMALS	FRACTIONS	5-27-68
.X ± .05	± 1/64	
.XX ± .01	ANGLES	5-27-68
.XXX ± .005	± 0°-30'	

FINAL APPROVAL	DATE
J.F.P.	5-27-68
ELECT. DES.	DATE
C. DAN	5-10-68
CHECKED	DATE
J.F.P.	5-27-68
DRAWN	DATE
ROG	5-23-68

1A28 A4A5
1A7 A4A5