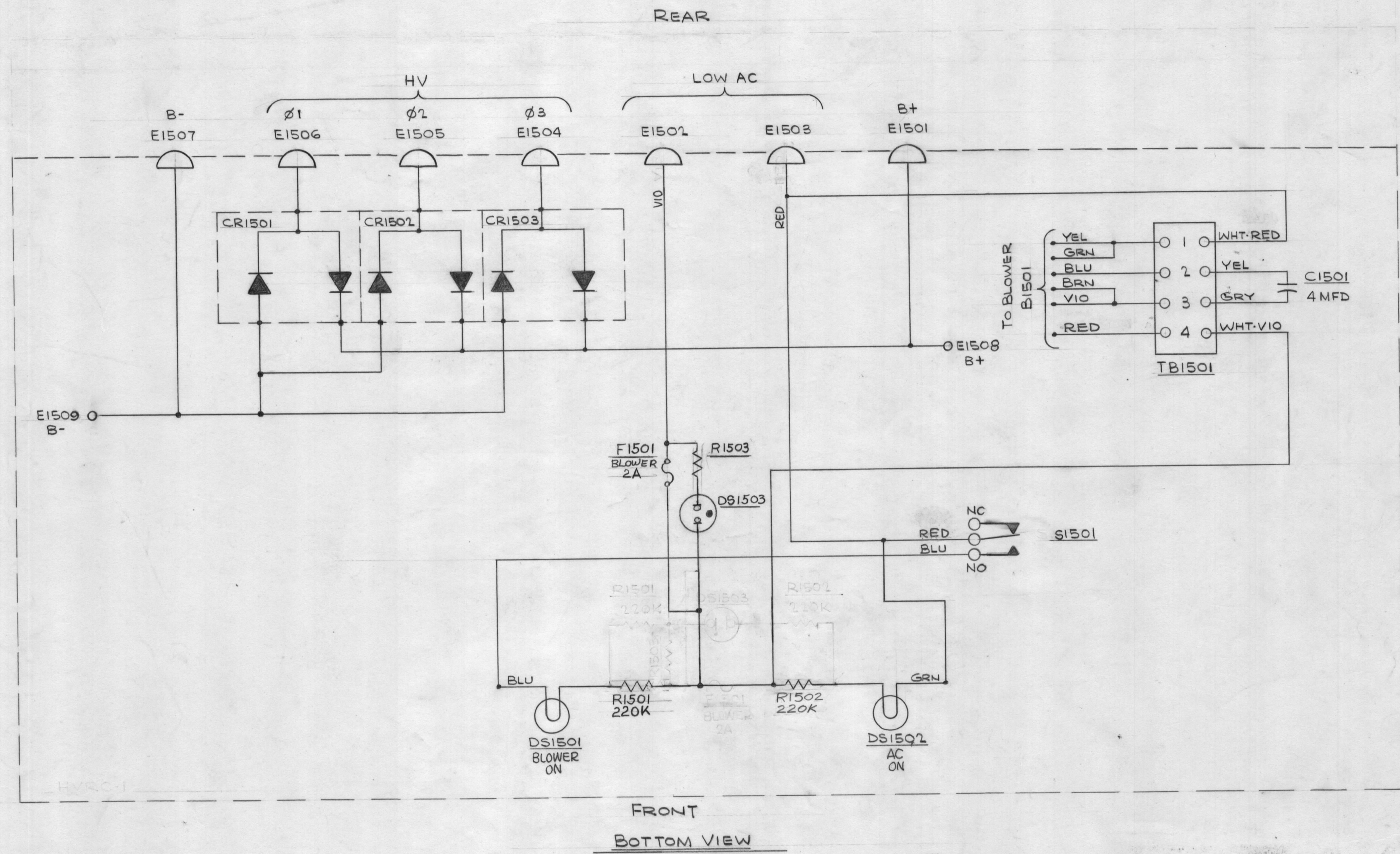


REVISIONS						
ZONE	SYM	DESCRIPTION	DATE	E.M.N. NO.	DRAFT	CHKD
	X	EXPERIMENTAL RELEASE	1-14-65		HLA	
	X1	CONTACT SYMBOLS ADDED, BLOWER ON, BLOWER 2A, AC ON ADDED	2-26-65	X1	SPC	
	Ø	ORIGINAL RELEASE FOR PRODUCTION	2-26-65		Ø	
	A	E1509 & E1508 REVERSED S1501 WAS SW1501 DS1503, R1501, R1503, F1501 RELOCATED - NO & NC REVERSED	6-15-65	14150	D.V.V.	
	B	R1502, 220K ADDED PICT & TITLE BLK. HVRC DELE.	11-22-65	15245	R.V.V.	



CK 894 B

REQ'D.	ITEM	PART NUMBER	DESCRIPTION	SYMBOL
BUDETTI LIST OF MATERIAL				
MATERIAL		THE TECHNICAL MATERIEL CORP. MAMARONECK, NEW YORK		
FINISH		TITLE WIRING SCHEMATIC DIAGRAM		
UNLESS OTHERWISE SPECIFIED DIMENSIONS ARE IN INCHES AND INCLUDE CHEMICALLY APPLIED OR PLATED FINISHES		DRAWN H. AUSTIN	DATE 1-14-65	FINAL APPROVAL AC
DECIMALS .X ± .05 .XX ± .01 .XXX ± .005		CHECKED Ø	DATE	DATE
TOLERANCES		ELECT. DES. Ø	DATE	CK 894
FRACTIONS ± 1/64 ANGLES ± 0° 30'		MECH. DES.	DATE	B
NOTES		SHEET		REV. LTR.

HVRC-1		
Q'TY./UNIT	MODEL USED ON	ASS'Y. NO.
SCALE #	CODE A	
THE CONTENTS OF THIS DRAWING ARE THE EXCLUSIVE PROPERTY OF THE TECHNICAL MATERIEL CORP. ITS UNAUTHORIZED USE OR REPRODUCTION IN WHOLE OR IN PART IS STRICTLY FORBIDDEN.		

NOTES