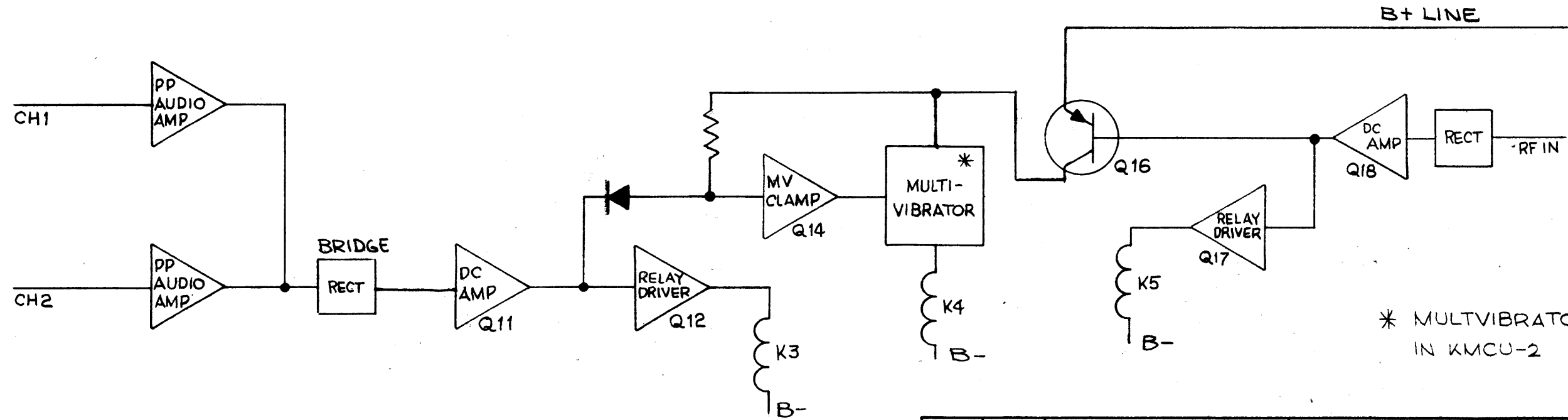
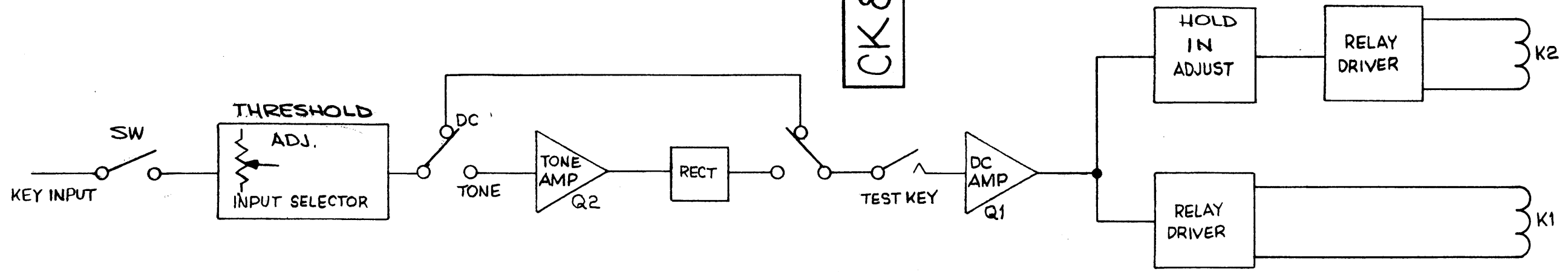


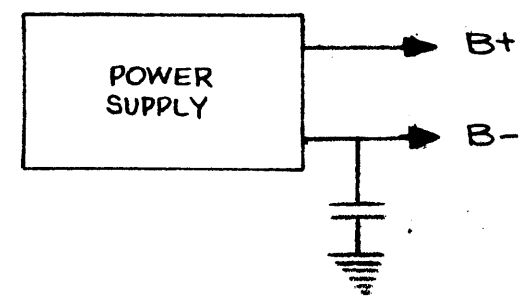
REVISIONS

SYM	DESCRIPTION	DATE	E.M.N. NO.	DRAFT	CHKD	APPD
X	EXPERIMENTAL RELEASE	12.29.64	X	AS		
Ø	ORIGINAL RELEASE FOR PRODUCTION	3.2.67		WFO		

CK888



* MULTIVIBRATOR DISABLE IN KMCU-2



KMCU-2		KMCU-1	
Q'TY./UNIT	MODEL USED ON	ASS'Y. NO.	
SCALE	CODE		

REQ'D.	ITEM	PART NUMBER	DESCRIPTION	SYMBOL
LIST OF MATERIAL				
MATERIAL		THE TECHNICAL MATERIEL CORP. MAMARONECK, NEW YORK		
FINISH		TITLE KMCU-1, BLOCK DIAGRAM, KMCU-2		
UNLESS OTHERWISE SPECIFIED DIMENSIONS ARE IN INCHES AND INCLUDE CHEMICALLY APPLIED OR PLATED FINISHES		DRAWN A. GLOVE	DATE 12-17-64	FINAL APPROVAL [Signature]
DECIMALS .X ± .05 .XX ± .01 .XXX ± .005		CHECKED [Signature]	DATE 3-17-65	DATE 3/2/67
TOLERANCES		ELECT. DES. W.A. PALMER	DATE 12-17-64	DATE
FRACTIONS ± 1/64 ANGLES ± 0° 30'		CK888		REV. LTR.
SHEET				

NOTES

THE CONTENTS OF THIS DRAWING ARE THE EXCLUSIVE PROPERTY OF THE TECHNICAL MATERIEL CORP. ITS UNAUTHORIZED USE OR REPRODUCTION IN WHOLE OR IN PART IS STRICTLY FORBIDDEN.