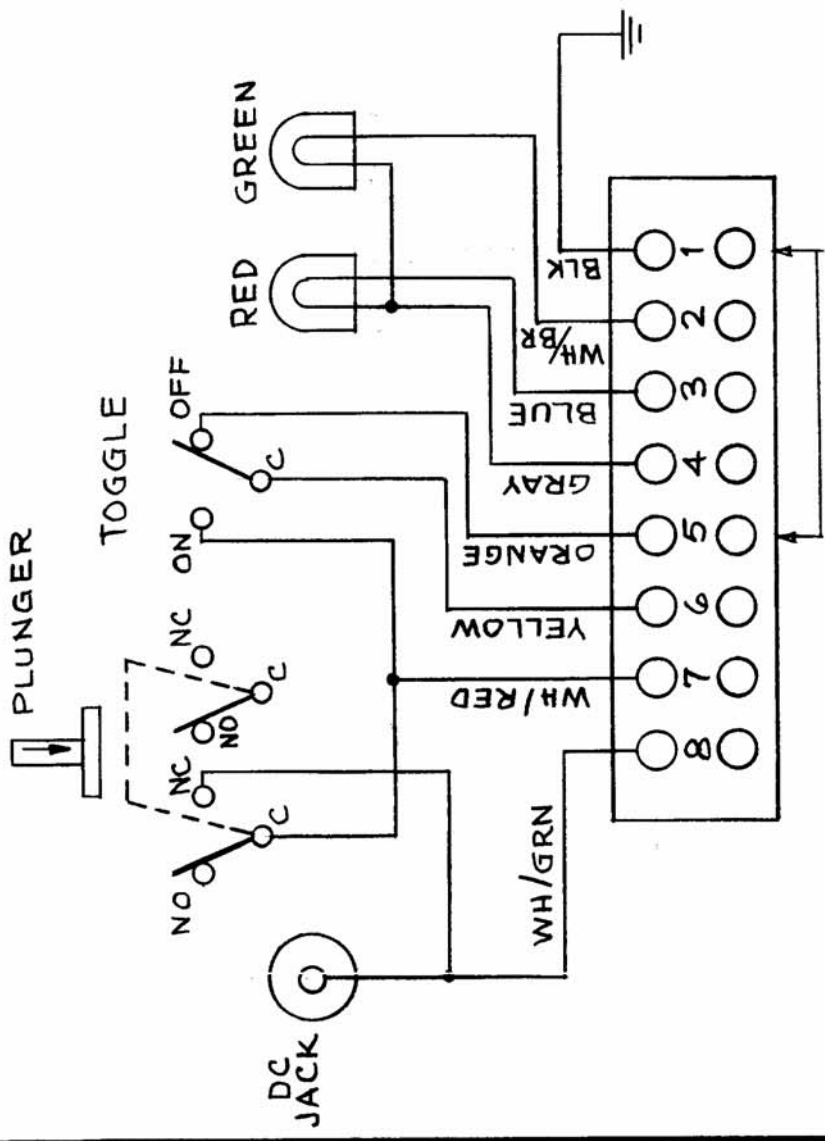


REQ. PER UNIT

USED ON  
 MODEL  
 GDP-PA-107

ASSY. NO.  
 DATE

CK 826 Ø



REQ. ITEM	PART NO.	DESCRIPTION	SYMBOL
		THE TECHNICAL MATERIEL CORP. MAMARONECK. NEW YORK	
		WIRING DIAGRAM	
		TRANSMITTER PANEL	
		M. TANTILLO 9-9-64 DRAWN	
		CHECKED	FINAL APPROVAL
		TYPE & TEMPER	
		HEAT TREAT. SPEC.	
		FINISH & SPEC. NO.	
		ELEC. DES. APP. MECH. DES. APP.	
		CK 826 Ø	

ORIGINAL RELEASE FOR PRODUCTION

DATE: 12-9-64

SCALE: AS SHOWN

DESCRIPTION: UNLESS OTHERWISE SPECIFIED DIMENSIONS ARE IN INCHES AND INCLUDE CHEMICALLY APPLIED OR PLATED FINISHES

TOLERANCES: DECIMALS: .X ± .05, .XX ± .01, .XXX ± .005; FRACTIONS: ± 1/64, ANGLES: ± 0° 30'