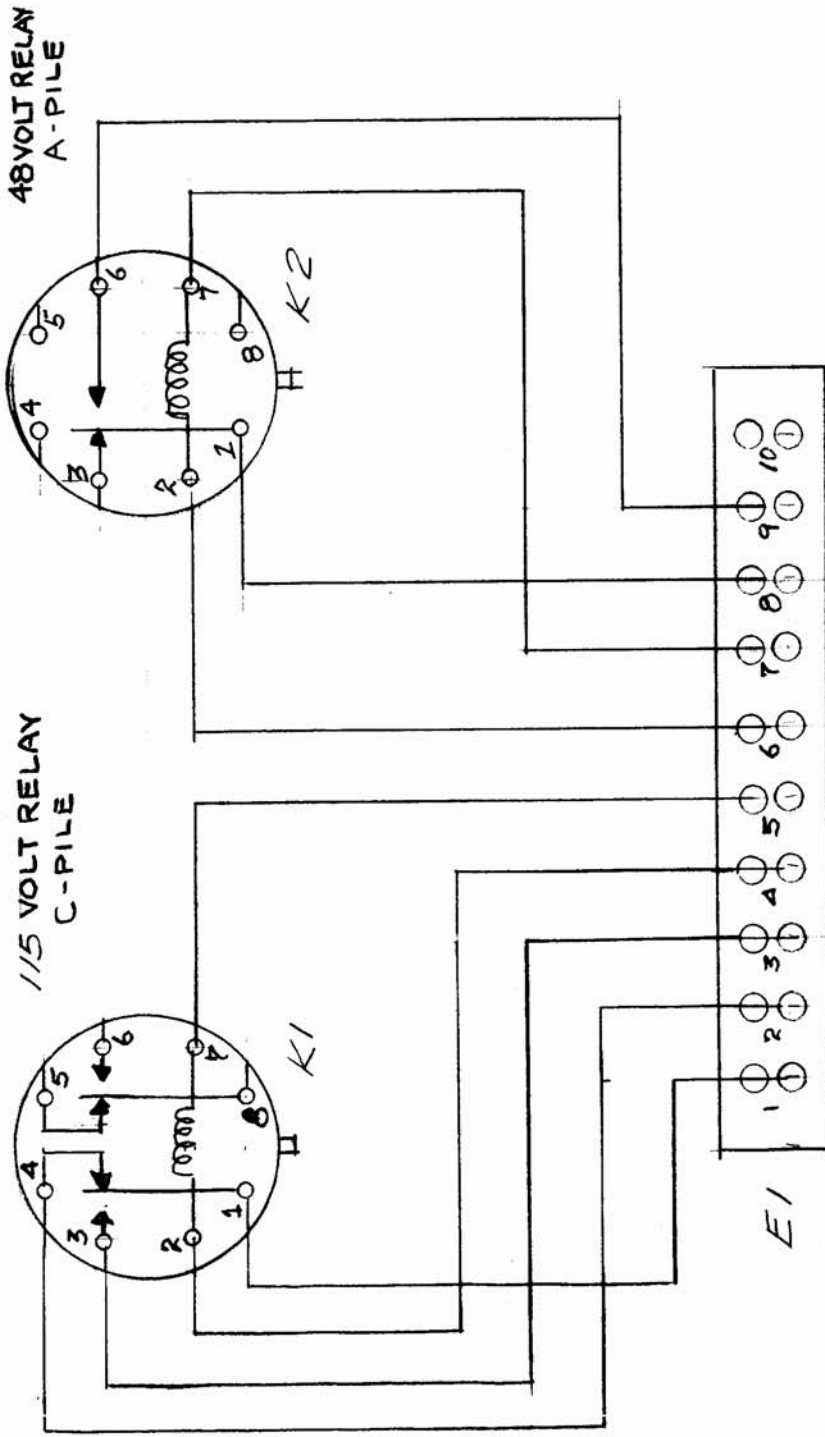


USED ON
 REQ. PER UNIT
 MODEL AX515
 ASSY. NO. CK824
 DATE



SYMBOL	DESCRIPTION	PART NO.	REQ. ITEM	STOCK SIZE	MATERIAL	TYPE & TEMPER	HEAT TREAT. SPEC.	FINISH & SPEC. NO.	ELEC. DES. APP.	MECH. DES. APP.	FINAL APPROVAL
B	115 V RELAY SYMB. ADD	521.69	19448	GE	JDL	EFM					
A	230V RELAY WIRING REVISED	12.28.64	13175	JAB	JDL						
Ø	ORIGINAL RELEASE FOR PRODUCTION	12.9.64	Ø	Ø	Ø						
SYM	DESCRIPTION	DATE	CH. NO.	DRAFTS	CHECKER	ENG. APP.	SCALE				
UNLESS OTHERWISE SPECIFIED DIMENSIONS ARE IN INCHES AND INCLUDE CHEMICALLY APPLIED OR PLATED FINISHES											
TOLERANCES DECIMALS .X ± .05 .XX ± .01 .XXX ± .005											
FRACTIONS ± 1/64 ANGLES ± 0° 30'											
CODE A											
THE TECHNICAL MATERIEL CORP. MAMARONECK, NEW YORK											
WIRING DIAGRAM RELAY PANEL											
DRAWN 12.9.64 JAB CHECKED Ø ELEC. DES. APP. MECH. DES. APP.											
FINAL APPROVAL CK824 B											