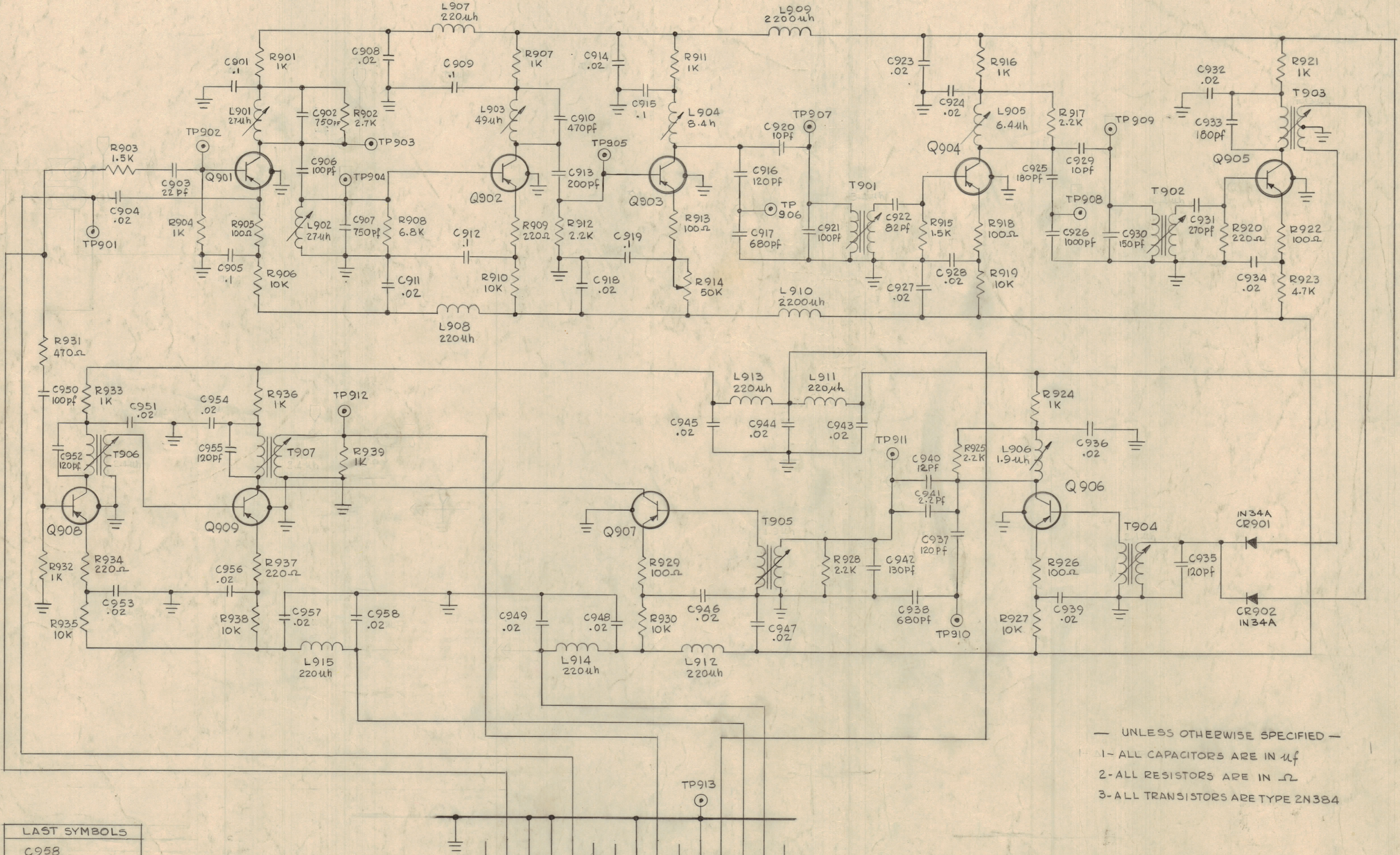
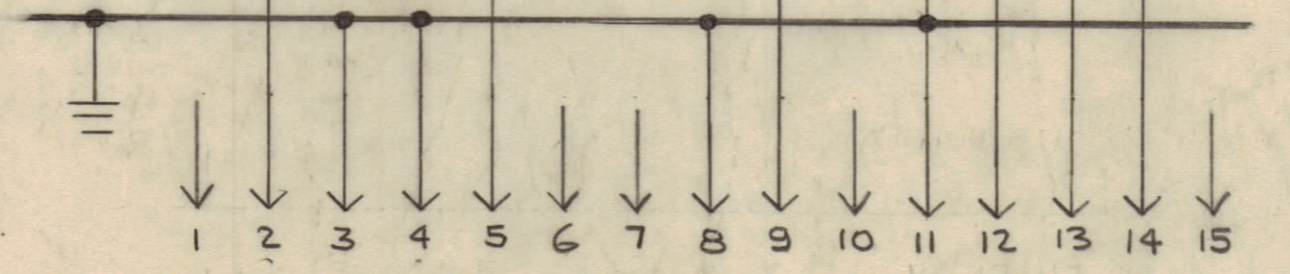


REVISIONS									
ZONE	SYM	DESCRIPTION	DATE	E.M.N. NO.	DRAFT	CHKD	APPD		
X		EXP. RELEASE	10-29-64				GDL		
XI		Q902 WAS Q202, Q903 WAS Q203	12-30-64				JOB		
XL		SYMBOLS UPDATED, ARROWS NUMBERED ON LAST SYMBOLS. R939 WAS R915, TP913 WAS	12-31-64	X2			JSB		
		ORIGINAL RELEASE FOR PRODUCTION	2-4-65				LS		



- UNLESS OTHERWISE SPECIFIED —
- 1- ALL CAPACITORS ARE IN  $\mu$ f
  - 2- ALL RESISTORS ARE IN  $\Omega$
  - 3- ALL TRANSISTORS ARE TYPE 2N384

LAST SYMBOLS
C958
CR902
L915
Q909
R939
T907
TP913



QTY/UNIT		MODEL USED ON	ASSY. NO.
SCALE		CODE	
THE CONTENTS OF THIS DRAWING ARE THE EXCLUSIVE PROPERTY OF THE TECHNICAL MATERIEL CORP. ITS UNAUTHORIZED USE OR REPRODUCTION IN WHOLE OR IN PART IS STRICTLY FORBIDDEN.			

NOTES

REF: A3791

REQ'D.	ITEM	PART NUMBER	DESCRIPTION	SYMBOL
	O. POSE		LIST OF MATERIAL	
MATERIAL		THE TECHNICAL MATERIEL CORP. MAMARONECK, NEW YORK		
FINISH		TITLE		
		DIAGRAM, SCHEMATIC, LFSB-1 OUTPUT MIXER & MULTIPLIER		
UNLESS OTHERWISE SPECIFIED DIMENSIONS ARE IN INCHES AND INCLUDE CHEMICALLY APPLIED OR PLATED FINISHES		DRAWN	DATE	FINAL APPROVAL
DECIMALS 1/16 XX ± .01 XXX ± .005		CHECKED	DATE	DATE
FRACTIONS ± 1/64 ANGLES ± 0° 30'		ELECT. DES.	DATE	DATE
TOLERANCES		MECH. DES.	DATE	DATE
				SHEET
				REV. LTR.

CK 815

A

STOCK NO. 4408