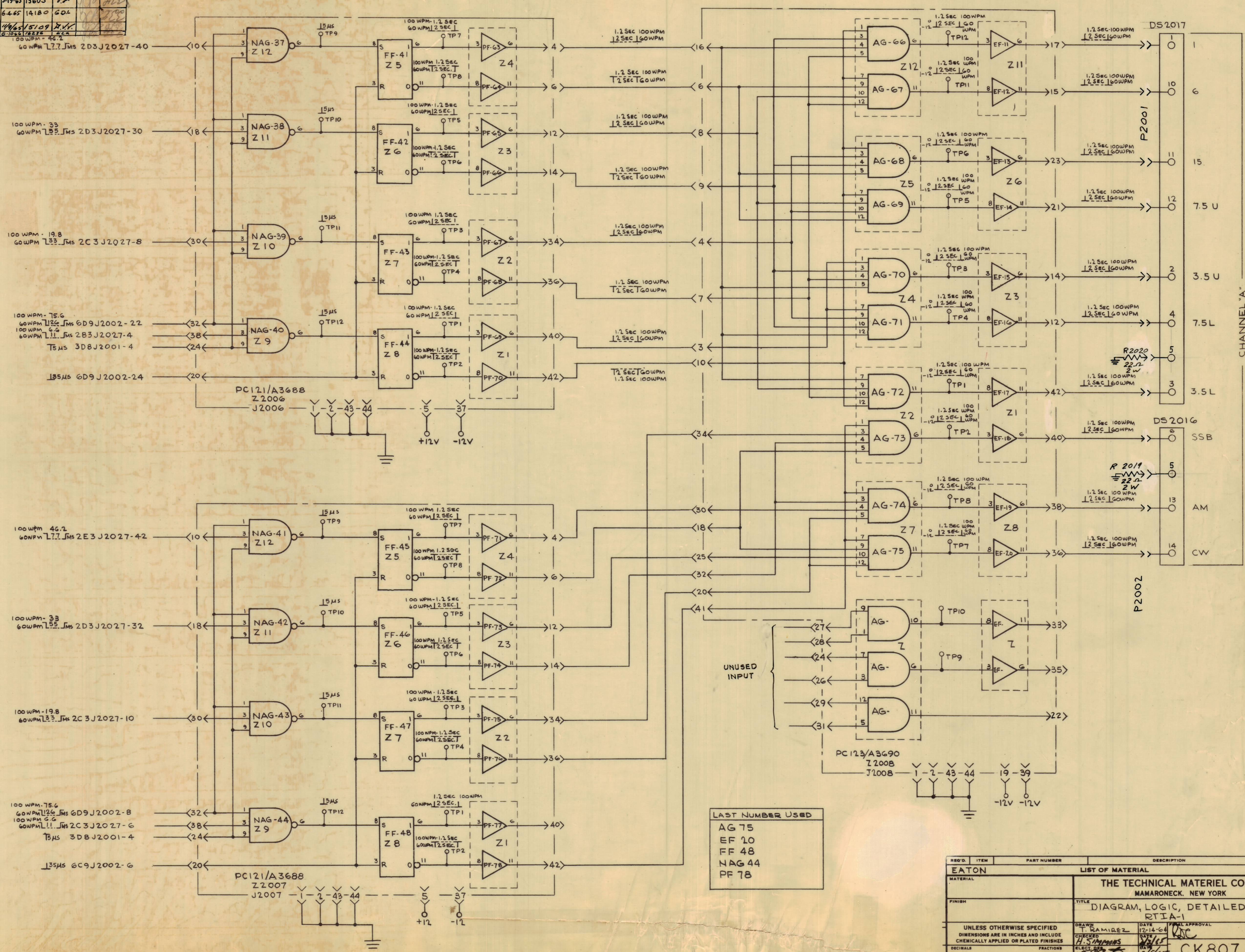


REVISIONS					
REV	DESCRIPTION	DATE	BY	CHKD	APPD
X	EXPER. RELEASE	12-18-66	X	T. W.	
	ORIGINAL RELEASE FOR PRODUCTION	2-5-65		WLA	
A	ON D3204: PIN 5, R1019 & GRD. ADD; ON D3117: PIN 5, R1020 & GRD. ADD; SEE SHEETS 2 & 9 OF 9 REV. 'A'	3-19-65	13603	P.F.	
B	ON PC123/A3690 PIN 22 WAS PIN 2 & NOTE ADDED SEE SHEETS 1 THRU 6 & SHEET B-9	6-4-65	14180	GDL	
C	P2001'S F'CONN. SYN. ADDED. (SEE SHEETS 1, 8, 9)	4/4/65	5109	X.V.K.	
D	SEE SW. 1 OF 9 "REV. D"	6-10-65	18336	SEA	



LAST NUMBER USED  
 AG 75  
 EF 10  
 FF 48  
 NAG 44  
 PF 78

REV'D	ITEM	PART NUMBER	DESCRIPTION	SYMBOL
EATON LIST OF MATERIAL				
MATERIAL THE TECHNICAL MATERIEL CORP. MAMARONECK, NEW YORK				
FINISH TITLE DIAGRAM, LOGIC, DETAILED RTIA-1				
UNLESS OTHERWISE SPECIFIED DIMENSIONS ARE IN INCHES AND INCLUDE CHEMICALLY APPLIED OR PLATED FINISHES		DRAWN T. RAMIDEZ	DATE 12-18-66	FINAL APPROVAL
DECIMALS FRACTIONS		CHECKED H. SHIMMERS	DATE 1/11/67	DATE
TOLERANCES ± 1/64 ANGLES ± 30'		DATE 2/10/67	DATE	DATE
CK807				D
SHEET 7 OF 9				REV. LTR.