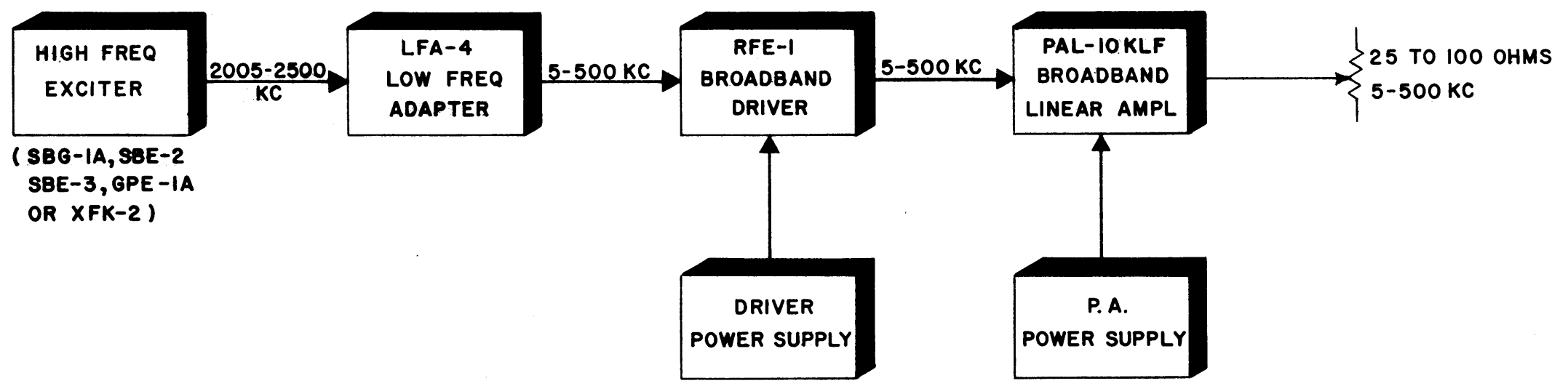


CK802

REVISIONS					
SYM	DESCRIPTION	DATE	E.M.N. NO.	DRAFT	CHKD APPD
X	EXPERIMENTAL RELEASE	10-9-64		NP	
Ø	ORIGINAL RELEASE FOR PRODUCTION	2-24-67		L.P.K.	



REQ'D.	ITEM	PART NUMBER	DESCRIPTION	SYMBOL
LIST OF MATERIAL				
MATERIAL		THE TECHNICAL MATERIEL CORP. MAMARONECK, NEW YORK		
FINISH		TITLE DIAGRAM, BLOCK GPT-10 KLF		
UNLESS OTHERWISE SPECIFIED DIMENSIONS ARE IN INCHES AND INCLUDE CHEMICALLY APPLIED OR PLATED FINISHES		DRAWN <i>H. Peters</i>	DATE 10-9-64	FINAL APPROVAL <i>M. Hay</i>
		CHECKED	DATE	DATE 2/24/67
		ELECT. DES.	DATE	CK 802
		MECH. DES.	DATE	
		SHEET		REV. LTR.

Q'TY./UNIT	MODEL USED ON	ASS'Y. NO.
SCALE //	CODE	

THE CONTENTS OF THIS DRAWING ARE THE EXCLUSIVE PROPERTY OF THE TECHNICAL MATERIEL CORP. ITS UNAUTHORIZED USE OR REPRODUCTION IN WHOLE OR IN PART IS STRICTLY FORBIDDEN.

NOTES