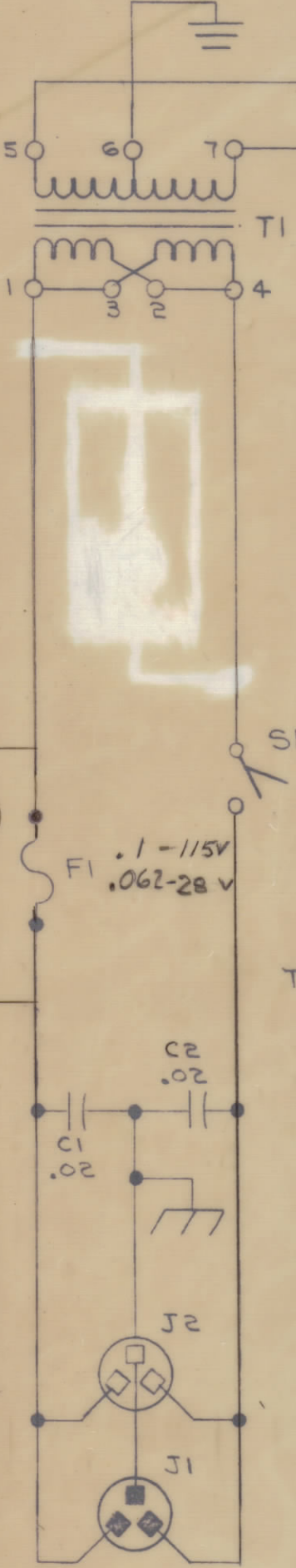
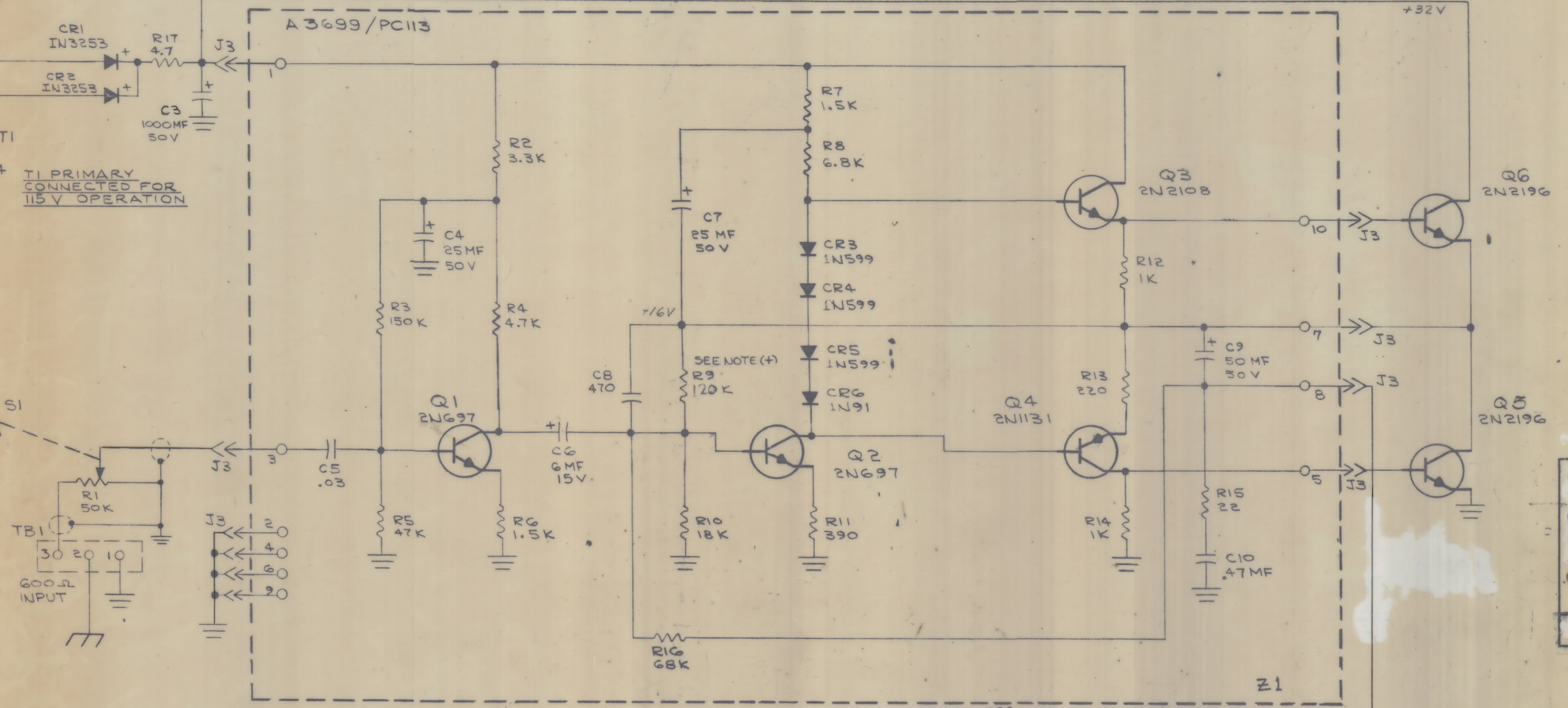


TI PRIMARY CONNECTION FOR 230V OPERATION



TI PRIMARY CONNECTION FOR 115V OPERATION

A3699/PC113

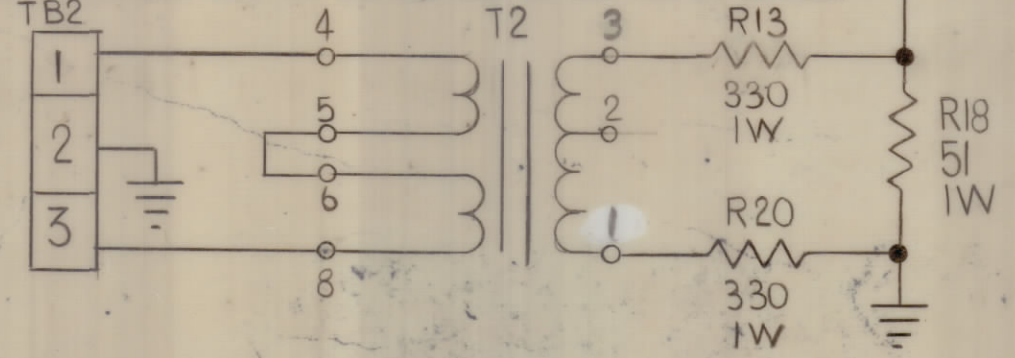


NOTE + NOMINAL VALUE OF R9 IS 120K. ACTUAL VALUE ADJUSTED AT FACTORY FOR 1/2 SUPPLY VOLTAGE ACROSS Q5 (COLLECTOR TO EMITTER)

LAST SYMBOLS	
C10	
CR1	
CR6	
DS1 *	
FI *	
J3	
LS1 *	
R6	
R20 *	
S1 *	
T2	
TB2	

\*SEE NOTE No 5

- UNLESS OTHERWISE SPECIFIED -
- 1 - ALL RESISTOR VALUES ARE OHMS, 1/2 WATT.
  - 2 - ALL CAPACITOR VALUES ARE  $\mu$ f.
  - 3 -  $\text{---}$  DENOTES CHASSIS GROUND
  - 4 -  $\pm$  DENOTES COMMON CIRCUIT GROUND
  - 5 - SYMBOLS LS1, FI, DS1, R1, S1, R18, R19, R20, T2, TB2 ARE NOT PART OF AMPL. AZ102 AND ARE SHOWN FOR REF ONLY.



REQ'D.	ITEM	PART NUMBER	DESCRIPTION	SYMBOL
LIST OF MATERIAL				
MATERIAL			THE TECHNICAL MATERIEL CORP. MAMARONECK, NEW YORK	
FINISH			TITLE DIAGRAM, SCHEMATIC, ELECTRICAL (BRIDGING AMPLIFIER)	
DRAWN		DATE	FINAL APPROVAL	
CHECKED		DATE	DATE	
ELECT. DES.		DATE	DATE	
MECH. DES.		DATE	DATE	
DECIMALS			FRACTIONS	
.X $\pm$ .05			$\pm$ 1/64	
.XX $\pm$ .01			ANGLES	
.XXX $\pm$ .005			$\pm$ 0°-30'	
TOLERANCES				
SHEET 1 OF 1				

V14 BSP Mod.		
COPY/UNIT	MODEL USED ON	ASS'Y. NO.
SCALE	CODE	
THE CONTENTS OF THIS DRAWING ARE THE EXCLUSIVE PROPERTY OF THE TECHNICAL MATERIEL CORP. ITS UNAUTHORIZED USE OR REPRODUCTION IN WHOLE OR IN PART IS STRICTLY FORBIDDEN.		

NOTES

CK8043