

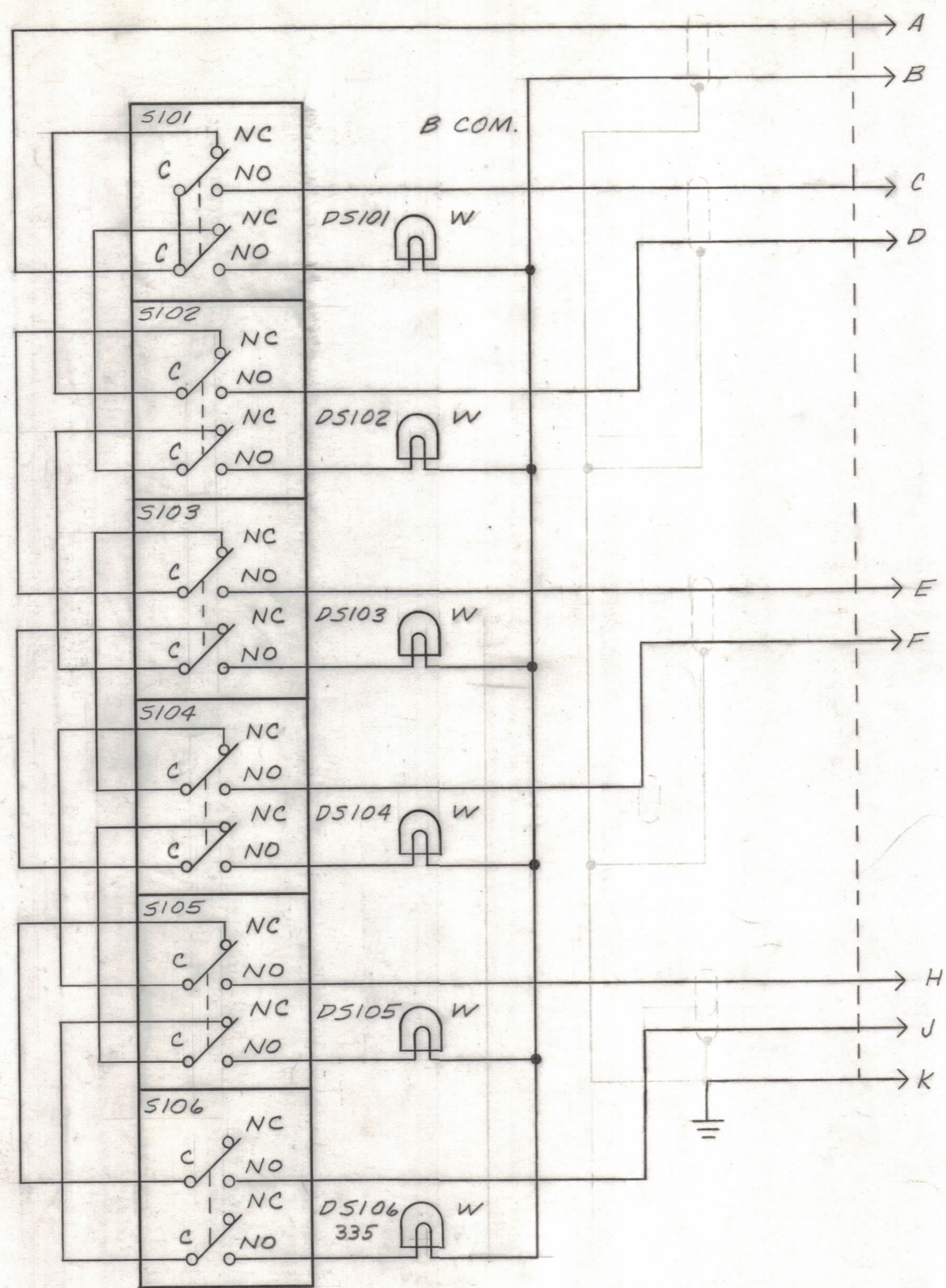
4

3

2

1

REVISIONS					
ZONE	LTR	DESCRIPTION	DATE	E.M.N.NO	APPD



MF/HF1
* UHF1

VLF1
* VHF1

MF/HF2
* UHF2

VLF2
* VHF2

MF/HF3
* UHF3

VLF3
* VHF3

* SWITCH INDICATING BUTTON TO BE SELECTED AS PER CUSTOMERS REQUIREMENT.

QTY. REQ.	ITEM	PART NO.	DESCRIPTION	SYMBOL
LIST OF MATERIAL				
FINAL APPROVAL		DATE	THE TECHNICAL MATERIEL CORP. MAMARONECK, NEW YORK PAZ10 INPUT SELECTOR SWITCH	
MECH. DES.		DATE		
ELECT. DES.		DATE		
CHECKED		DATE		
DRAWN		DATE	SIZE CODE IDENT. NO. DWG NO. ISSUE C 82679 CK8025 \emptyset	
MATERIAL		SCALE		
FINISH		SHEET 1 OF 1		

10/11	AX8020	
	AX8004	
QTY / UNIT	MODEL USED ON	ASS'Y NO.
APPLICATION		
	CODE	

NOTICE TO PERSONS RECEIVING THIS DRAWING
 THE TECHNICAL MATERIEL CORPORATION claims proprietary right in the material disclosed hereon. This drawing is issued in confidence for engineering information only and may not be reproduced or used to manufacture anything shown hereon without permission from THE TECHNICAL MATERIEL CORPORATION to the user. This drawing is loaned for mutual assistance and is subject to recall at any time.

4

3

2

1

CK8025