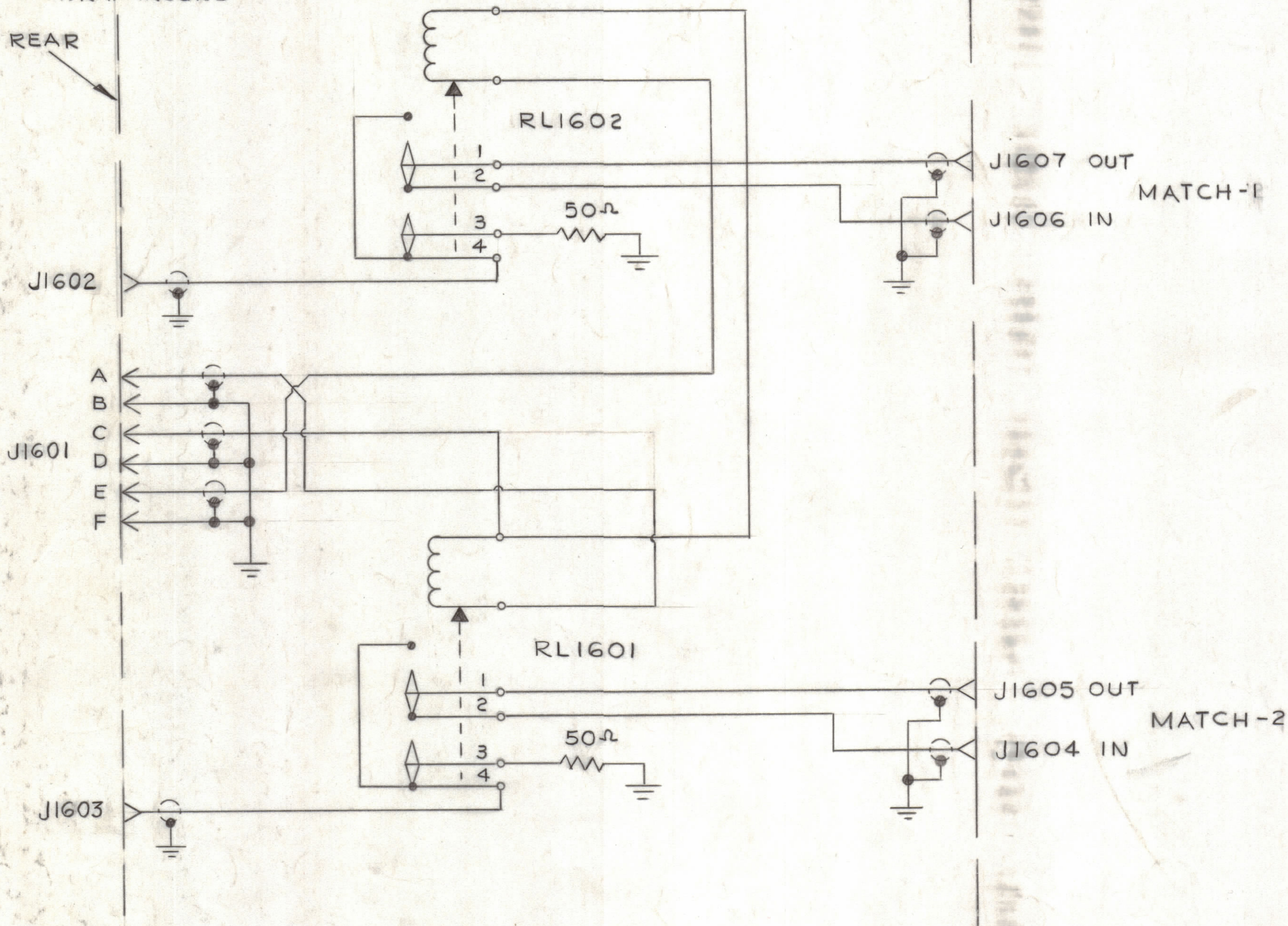


REVISIONS						
ZONE	LTR	DESCRIPTION	DATE	E.M.N.NO	DRAFT	CHKD APPD
	Ø	CHNG COMM FROM E TO C CONT RL1602 WAS TO A CONT RL1601 WAS TO C	7-9-68		LB III	CSB
A		CHNG MATCH No	8-23-68		C. GRAY	

FRONT PANEL

WRAPAROUND

REAR



Shoot to 53%

QTY. REQ.	ITEM	PART NO.	DESCRIPTION	SYMBOL
LIST OF MATERIAL				
THE TECHNICAL MATERIEL CORP. MAMARONECK, NEW YORK SCHEMATIC MODEL ASCU-1				
FINAL APPROVAL <i>AM</i>		DATE 12/13/67	SIZE CODE IDENT. NO. DWG NO. ISSUE C 82679 CK 8019 A	
MECH. DES. <i>R di Tato</i>		DATE 12-1-67		
ELECT. DES. <i>R di Tato</i>		DATE 12-1-67		
CHECKED <i>G. ORLANDI</i>		DATE 12-13-67		
DRAWN <i>Amiska</i>		DATE 12-1-67		
MATERIAL			SCALE	
FINISH			SHEET 1 OF 1	

16		
QTY / UNIT	MODEL USED ON	ASS'Y NO.
APPLICATION		
CODE		
NOTICE TO PERSONS RECEIVING THIS DRAWING THE TECHNICAL MATERIEL CORPORATION claims proprietary right in the material disclosed hereon. This drawing is issued in confidence for engineering information only and may not be reproduced or used to manufacture anything shown hereon without permission from THE TECHNICAL MATERIEL CORPORATION to the user. This drawing is loaned for mutual assistance and is subject to recall at any time.		

CK 8019 A B

A