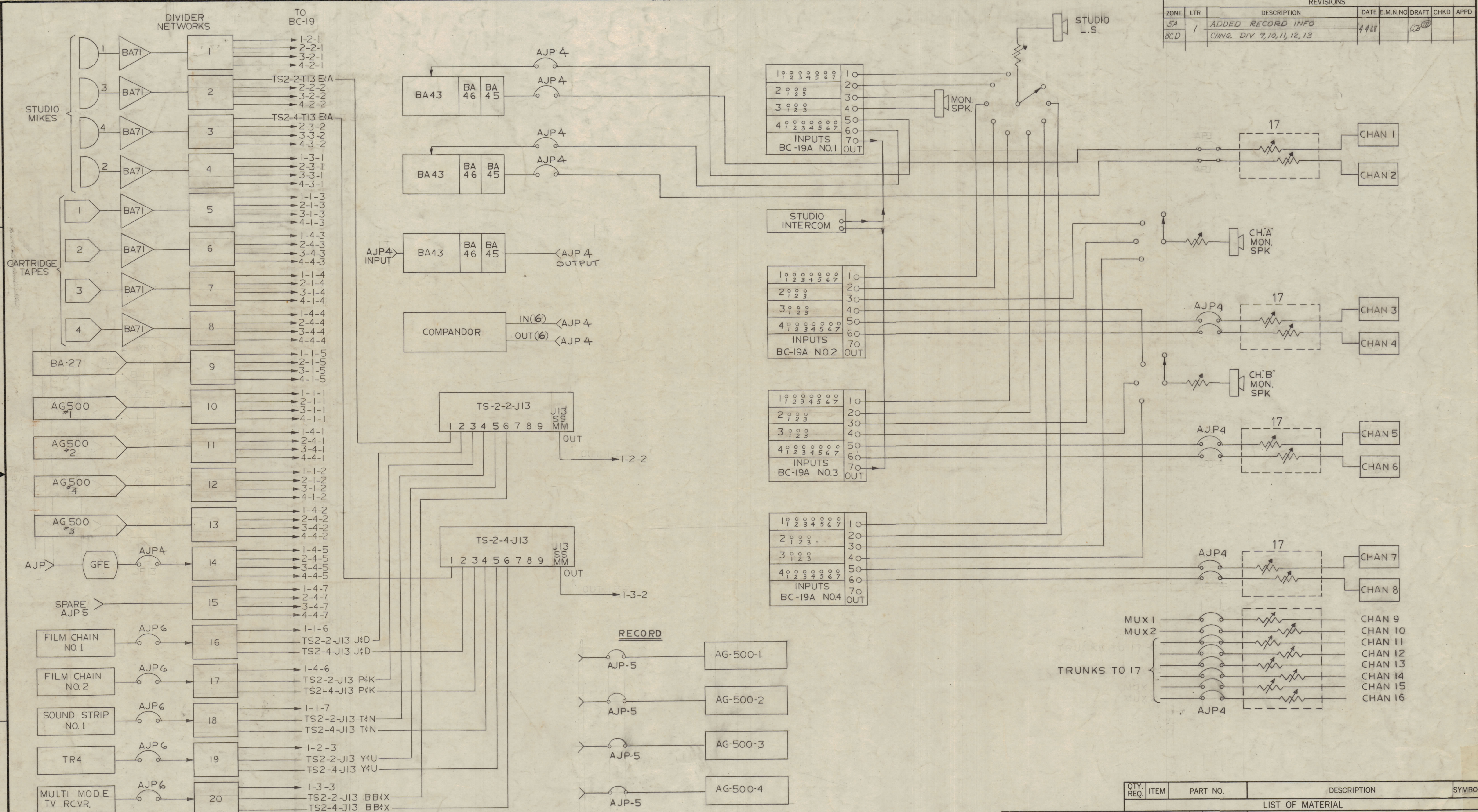


| REVISIONS | | | | | | |
|-----------|-----|-------------------------|------|----------|-------|------|
| ZONE | LTR | DESCRIPTION | DATE | E.M.N.NO | DRAFT | CHKD |
| 5A | 1 | ADDED RECORD INFO | 4468 | | | |
| 8C,D | | CHNG. DIV 9,10,11,12,13 | | | | |



| QTY REQ. | ITEM | PART NO. | DESCRIPTION | SYMBOL |
|--|-------|------------|-------------|--------------|
| LIST OF MATERIAL | | | | |
| THE TECHNICAL MATERIEL CORP. MAMARONECK, NEW YORK | | | | |
| AUDIO SYSTEM BLOCK DIAGRAM | | | | |
| SIZE | CODE | IDENT. NO. | DWG. NO. | ISSUE |
| D | 82679 | CK8002 | | 1 |
| SCALE | | | | SHEET 1 OF 1 |

| QTY / UNIT | MODEL USED ON | ASS'Y NO. |
|-------------|---------------|-----------|
| APPLICATION | | |
| CODE | | |
| MATERIAL | | |
| FINISH | | |

NOTICE TO PERSONS RECEIVING THIS DRAWING
 THE TECHNICAL MATERIEL CORPORATION claims proprietary right in the material disclosed hereon.
 This drawing is issued in confidence for engineering information only and may not be reproduced or used
 to manufacture anything shown hereon without permission from THE TECHNICAL MATERIEL CORPORATION
 to the user. This drawing is loaned for mutual assistance and is subject to recall at any time.