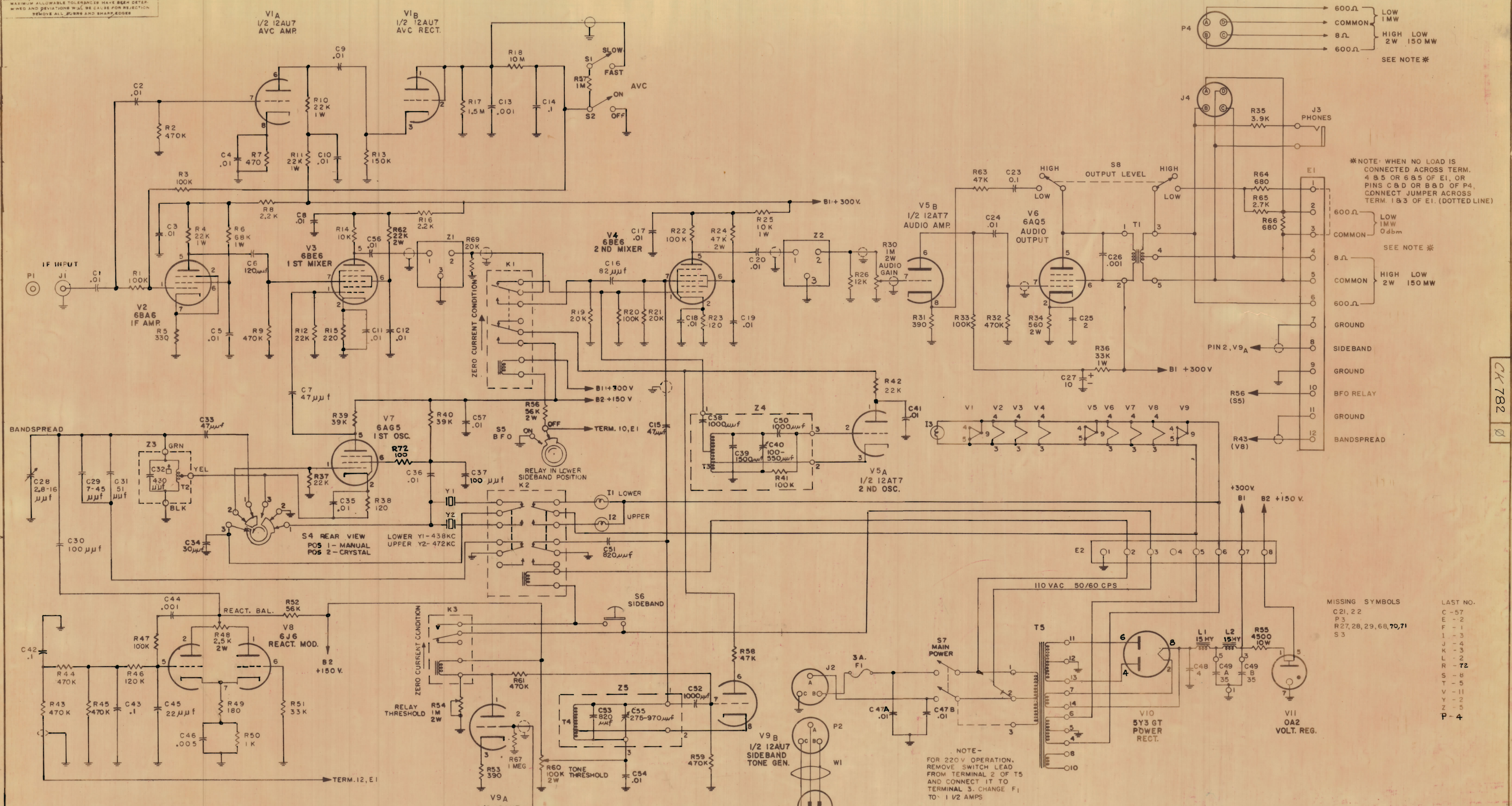


IF IT IS FOUND NECESSARY TO CHANGE ANY TOLERANCE OR OTHER DETAIL SPECIFIED ON THIS DRAWING NOTIFY THE FORWASER BY AIR MAIL.
 MAXIMUM ALLOWABLE TOLERANCES HAVE BEEN DETERMINED AND DEVIATIONS WILL BE CAUSE FOR REJECTION.
 REMOVE ALL PUNNS AND SHARP EDGES



*NOTE: WHEN NO LOAD IS CONNECTED ACROSS TERM. 4 B 5 OR 6 B 5 OF E1, OR PINS C & D OR B & D OF P4, CONNECT JUMPER ACROSS TERM. 1 B 3 OF E1. (DOTTED LINE)

MISSING SYMBOLS	LAST NO.
C 21, 22	C - 57
P 3	E - 2
R 27, 28, 29, 68, 70, 71	F - 1
S 3	I - 3
	J - 4
	K - 3
	L - 2
	R - 72
	S - 8
	T - 5
	V - 11
	Y - 2
	Z - 5
	P - 4

NOTE:
 UNLESS OTHERWISE NOTED, CAPACITORS ARE IN μ f
 UNLESS OTHERWISE NOTED, RESISTORS ARE 1/2 WATT

ORIGINAL RELEASE	32.4	JPB
EXP. RELEASE	8-23-64	GDL
ISSUE	CHANGED FROM	DATE
TOLERANCES		
ALL OTHERS	DEC DIM \pm	FRAC DIM \pm
	ANGULAR DIM \pm	
SCALE:		
DRILL PUNCH COMMERCIAL STOCK		
SIZES AND MANUFACTURERS		
TOLERANCES ARE NOT INCLUDED		

KIT-203	PROJECT NO.	8-29-64
REQ PER UNIT	MODEL	DATE
	USED ON	

REQ. ITEM	PART NO.	DESCRIPTION	SYMBOL
		THE TECHNICAL MATERIAL CORP.	
		MAMARONECK, NEW YORK	
		SCHEMATIC DIAGRAM	
		KIT 203 (MSR-8 CONVERSION)	
		G.D.L. 8-23-64	
		9-2-64	
		CK782	

CK 782