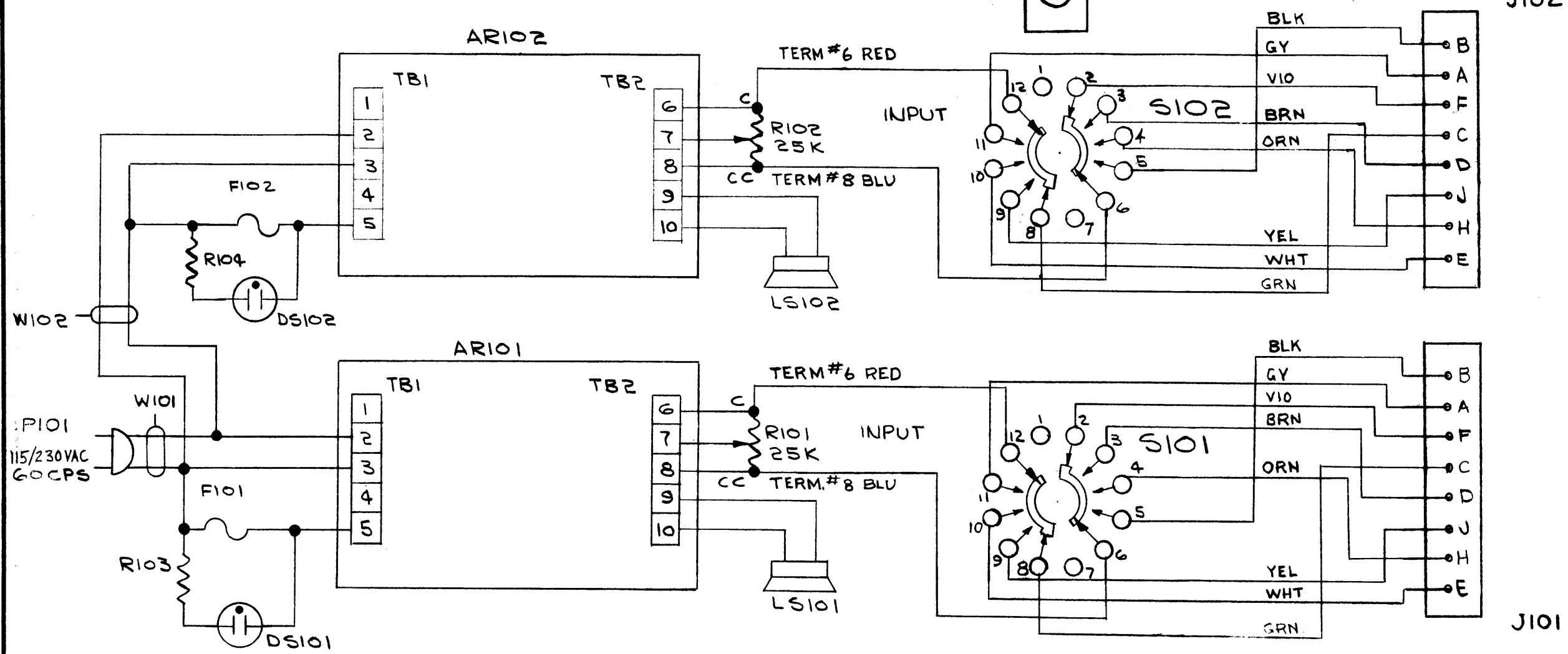


FUSES F101 & F102:
 1/4 AMP FOR 115V OPERATION
 1/8 AMP FOR 230V OPERATION

AUDIO AMPLIFIERS (SEE NOTE)

CK771

REVISIONS					
SYM	DESCRIPTION	DATE	E.M.N. NO.	DRAFT	CHKD APPD
X	EXPERIMENTAL RELEASE	9-2-64	X		
Q	ORIGINAL RELEASE FOR PRODUCTION	9-3-64	Q		
A	J101 & J102 PICT. REVISED, F102 3/8 AMP WAS F101 3/8 AMP P101 & W101 SYMB. ADD. ON NOTE TMC NO. WAS AZ104 DN NOTE CK 799 WAS CK 619, NOTE "P101 & W101 USED..." ADD.	10.13.64	12629	JB	
B	CLERICAL CHANGE ON NOTE CK749 WAS CK745	2-16-65	+		
C	ON F101 & F102: "3/8 AMP" DELE.; ON P101: 230VAC ADD; FUSE NOTE ADD.	4-2-65	13767	93	
D	ON J101 & J102 PINS D, F, J, E WERE REVERSED	4/7/65	14229		



NOTE:
 FOR SCHEMATIC DIAGRAM OF
 AUDIO AMPLIFIERS (TMC NO. AZ104)
 SEE CK745
 P101 & W101 USED ONLY WHEN THIS
 UNIT IS SHIPPED ALONE.

NOTE:
 SWITCH VIEWED FROM KNOB
 END IN B2 POSITION

1	BSP-6	
Q'TY./UNIT	MODEL USED ON	ASS'Y. NO.
SCALE	CODE	
	A	

THE CONTENTS OF THIS DRAWING ARE THE EXCLUSIVE PROPERTY
 OF THE TECHNICAL MATERIEL CORP. ITS UNAUTHORIZED USE OR
 REPRODUCTION IN WHOLE OR IN PART IS STRICTLY FORBIDDEN.

REQ'D.	ITEM	PART NUMBER	DESCRIPTION	SYMBOL
STURMER LIST OF MATERIAL				
MATERIAL			THE TECHNICAL MATERIEL CORP. MAMARONECK, NEW YORK	
FINISH			TITLE DIAGRAM, SCHEMATIC	
UNLESS OTHERWISE SPECIFIED DIMENSIONS ARE IN INCHES AND INCLUDE CHEMICALLY APPLIED OR PLATED FINISHES			DRAWN <i>[Signature]</i> DATE 9-2-64 CHECKED <i>[Signature]</i> DATE 9-3-64 ELECT. DES. <i>[Signature]</i> DATE 9-3-64 MECH. DES. <i>[Signature]</i> DATE 9-3-64	FINAL APPROVAL <i>[Signature]</i> CK771 SHEET D
DECIMALS	TOLERANCES	FRACTIONS	REV. LTR.	
.X ± .05 .XX ± .01 .XXX ± .005		± 1/64 ANGLES ± 0° 30'		

NOTES