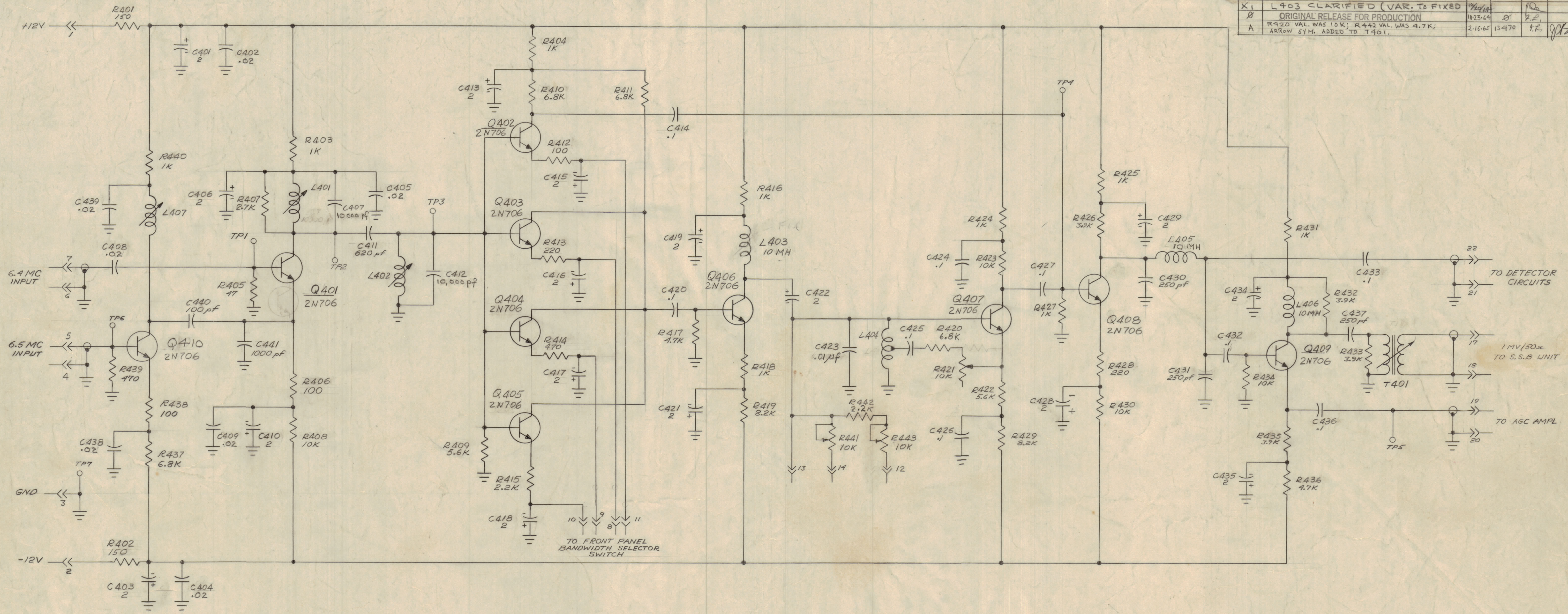


REV.	DESCRIPTION	DATE	BY	CHKD.	APP.
X	EXPERIMENTAL RELEASE	6-23-64	GDL		
X1	L403 CLARIFIED (VAR. TO FIXED)	10-21-64			J.C.J.
0	ORIGINAL RELEASE FOR PRODUCTION	10-23-64			
A	R420 VAL. WAS 10K; R442 VAL. WAS 4.7K; ARROW SYM. ADDED TO T401.	2-15-67	13470		



NOTE: ALL TRANSISTORS ARE TYPE 2N706  
 ALL CAPACITOR VALUES IN  $\mu$ F EXCEPT AS NOTED  
 ALL RESISTORS 1/2 W EXCEPT AS NOTED

LAST SYMBOL		
B443 -	C441 -	L407
T401 -	Q410	

NOTES

VLRB-1	
QTY/UNIT	MODEL USED ON
SCALE	CODE
	ASSY. NO.

REQ'D.	ITEM	PART NUMBER	DESCRIPTION	SYMBOL
M. GELMAN LIST OF MATERIAL				
THE TECHNICAL MATERIEL CORP. MAMARONECK, NEW YORK				
TITLE DIAGRAM, SCHEMATIC 100 KC - IF 101				
UNLESS OTHERWISE SPECIFIED DIMENSIONS ARE IN INCHES AND INCLUDE CHEMICALLY APPLIED OR PLATED FINISHES		DRAWN G.D.L.	DATE 6-23-64	FINAL APPROVAL R.C.
DECIMALS XX ± .05 XXX ± .005		FRACTIONS ± 1/64 ANGLES ± 0° 30'	ELECT. DES. R.C.	DATE 10-21-64
TOLERANCES		Mech. Des.	DATE	CK 761
				A