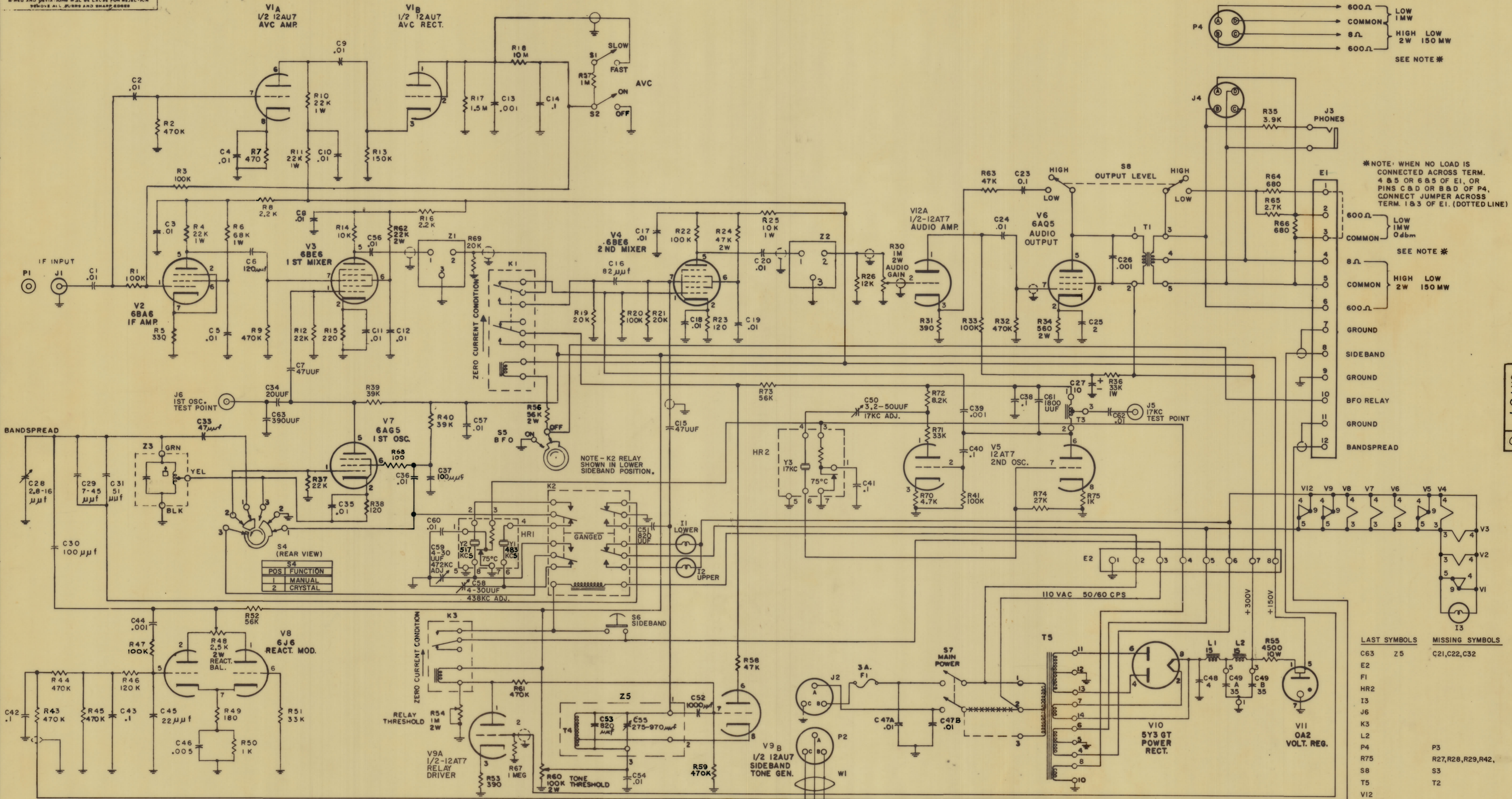


IF IT IS FOUND NECESSARY TO CHANGE ANY DIMENSIONS OR OTHER DETAIL SPECIFIED ON THIS DRAWING NOTIFY THE PURCHASER IMMEDIATELY.  
 MAXIMUM ALLOWABLE TOLERANCES HAVE BEEN DETERMINED AND DEVIATIONS MUST BE CALLED FOR REJECTION. REMOVE ALL BURRS AND SHARP EDGES.



NOTICE TO PERSONS RECEIVING THIS DRAWING  
 THE TECHNICAL MATERIEL CORPORATION claims proprietary right in the material disclosed hereon. This drawing is issued in confidence for engineering information only and may not be reproduced or used to manufacture anything shown hereon without permission from THE TECHNICAL MATERIEL CORPORATION to the user. This drawing is loaned for mutual assistance and is subject to recall at any time.

UNLESS OTHERWISE SPECIFIED  
 1- ALL CAPACITORS ARE IN MICROFARADS.  
 2- ALL RESISTORS ARE 1/2 WATT.  
 3- ALL COILS ARE IN HENRIES.

FOR 220V OPERATION OF T5  
 1- REMOVE SWITCH LEAD MARKED \*\*\*\*\* FROM TERMINAL 2.  
 2- CONNECT LEAD MARKED ---- TO TERMINAL 3.  
 3- CHANGE F1 TO 1/2 AMPS.

ORIGINAL RELEASE FOR PRODUCTION	5/6/64	O	A.M.
EXPERIMENTAL RELEASE	5/5/64		
CHANGED FROM	DATE	CH. NO.	DRAFTS
TOLERANCES	SCALE:	DRILL PUNCH	COMMERCIAL STOCK
ALL OTHERS	DEC. DIM. ±	FRAC. DIM. ±	ANGULAR DIM. ±

Property of:  
 THE TECHNICAL MATERIEL CORPORATION  
 MAMARONECK, NEW YORK

KIT 175	MODEL	PROJECT NO.	ASBY. NO.	DATE
REQ. PER UNIT	USED ON			

REQ. ITEM	PART NO.	DESCRIPTION	SYMBOL
THE TECHNICAL MATERIEL CORP. MAMARONECK, NEW YORK			
SCHEMATIC DIAGRAM			
KIT 175 (MODIFIED MSR-5)			
DATE	DESIGNED BY	ELC. DES. APP.	MECH. DES. APP.
5/1/64	WPA		
DATE	ENGR.	FINISH APPROVAL	
5/1/64			

CK 734

CK 734