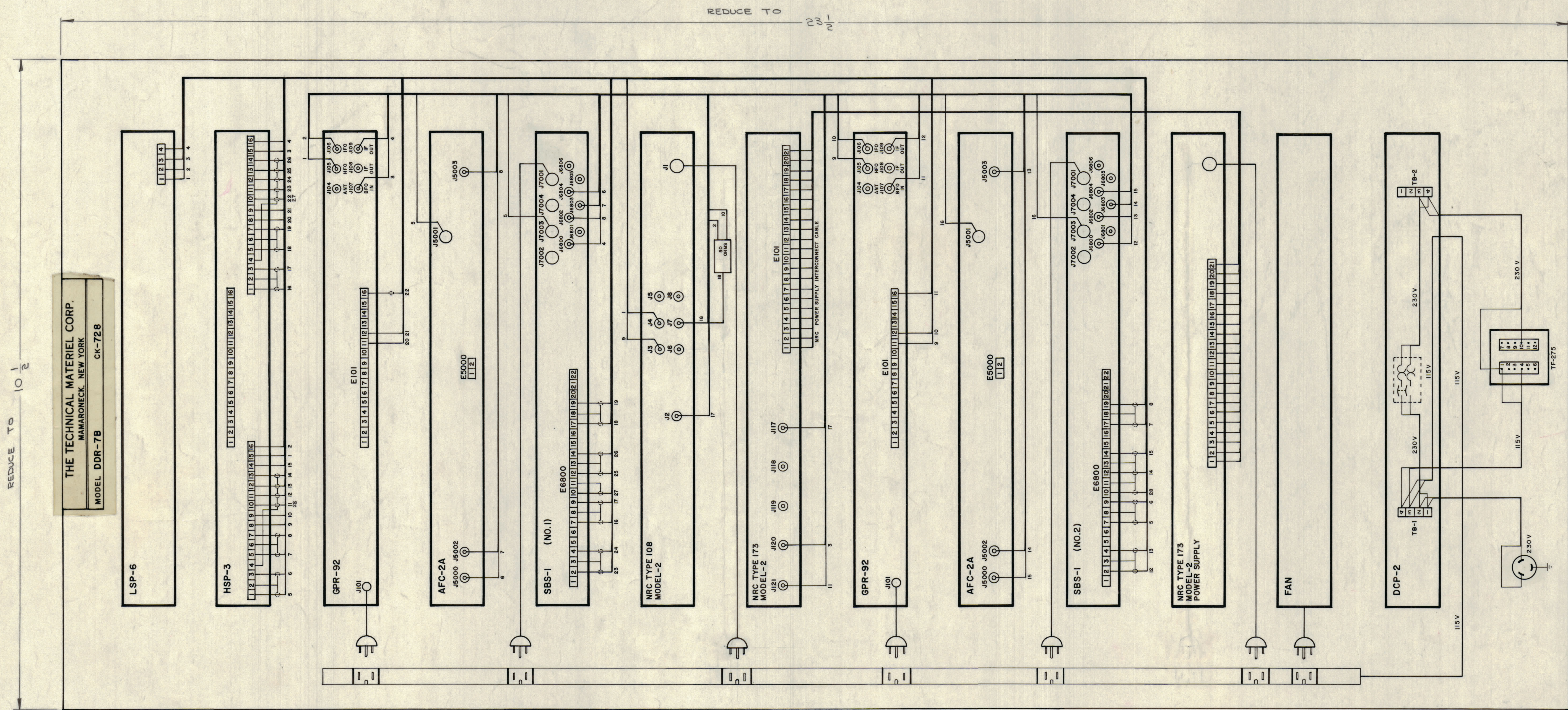
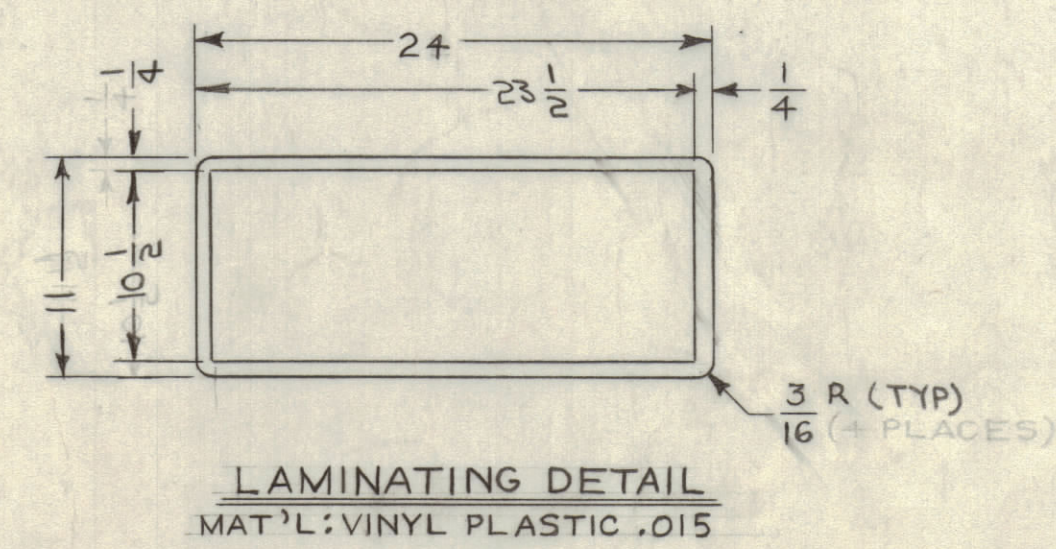


REVISIONS						
ZONE	SYM	DESCRIPTION	DATE	E.M.N. NO.	DRAFT	CHKD
	X	EXPERIMENTAL RELEASE	7/13/64			
	0	ORIGINAL RELEASE FOR PRODUCTION	9.4.64			
C B		ON TOP SBS -1 & (NO.1) ADD. ON BOTT. SBS -1 & (NO.2) ADD.				
C A, E 4	A	ON BOTTOM SBS -1 & (NO.1) WAS J6803	10/5/64	12627		



THE TECHNICAL MATERIEL CORP.
MAMARONECK, NEW YORK
MODEL DDR-7B CK-728

CK-728
A



NOTES

1	DDR-7B	
QTY./UNIT	MODEL USED ON	ASSY. NO.
SCALE	CODE	
	A	

REQ'D.	ITEM	PART NUMBER	DESCRIPTION	SYMBOL
I. JOHNSON LIST OF MATERIAL				
MATERIAL		SEE DETAIL		
FINISH		—		
THE TECHNICAL MATERIEL CORP.		MAMARONECK, NEW YORK		
TITLE		DIAGRAM, WIRING		
DRAWN	DATE	FINAL APPROVAL	DATE	
CK	7-2-64			
CHECKED	DATE			
W	7-2-64			
ELECT. DES.	DATE	CK-728		A
MECH. DES.	DATE	7-2-64		

THE CONTENTS OF THIS DRAWING ARE THE EXCLUSIVE PROPERTY OF THE TECHNICAL MATERIEL CORP. ITS UNAUTHORIZED USE OR REPRODUCTION IN WHOLE OR IN PART IS STRICTLY FORBIDDEN.

DECIMALS: X ± .05, XX ± .01, XXX ± .005
FRACTIONS: ± 1/64, ANGLES: ± 0° 30'