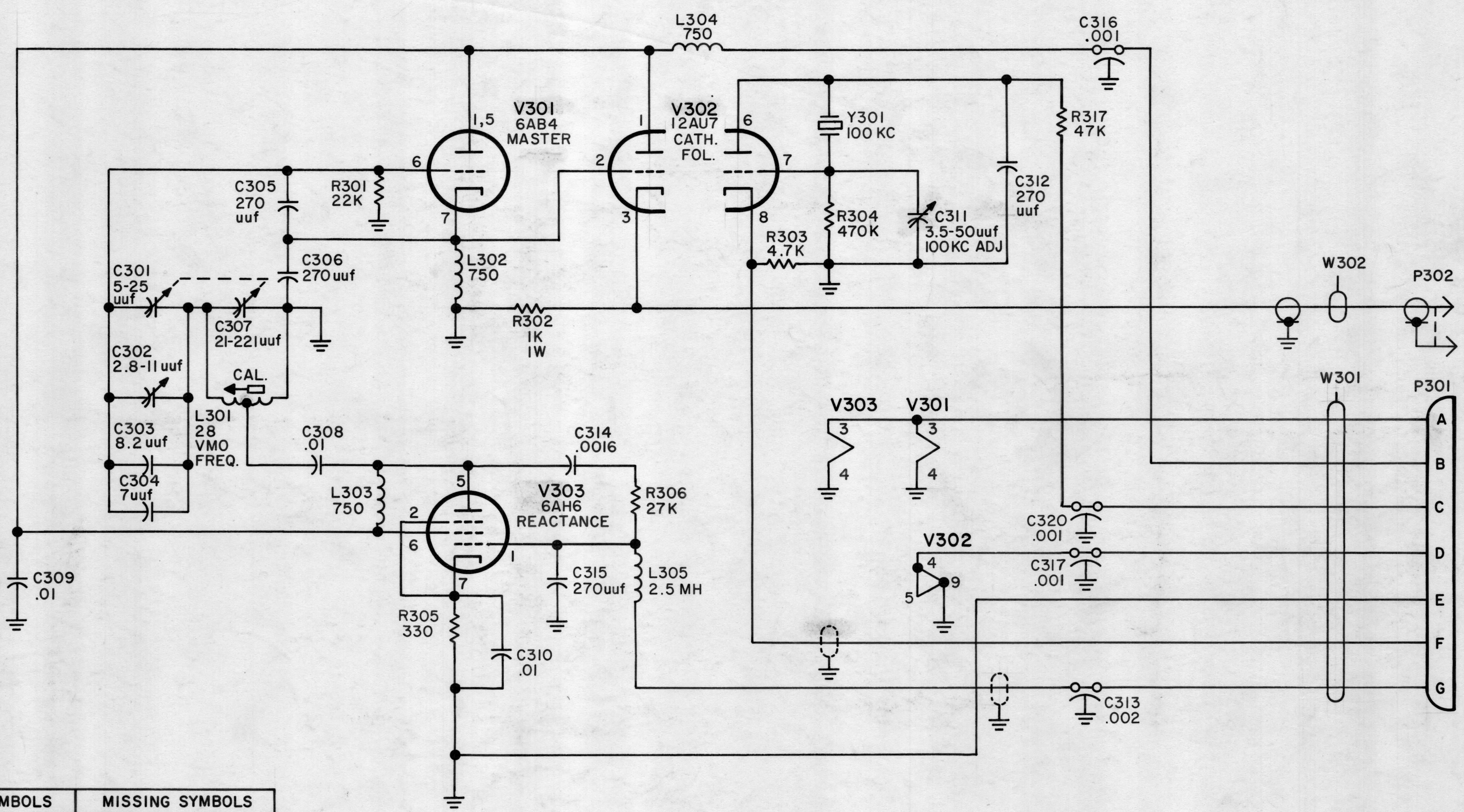


REVISIONS					
ZONE	SYM	DESCRIPTION	DATE	E.M.N. NO.	APPD



LAST SYMBOLS	MISSING SYMBOLS
C320	C300, 310, 318, 319
V303	V300
L305	L300
W302	W300
P302	P300
R317	R300, 307, 316
Y301	Y300

UNLESS OTHERWISE SPECIFIED
 1- ALL CAPACITORS ARE IN MICROFARADS.
 2- ALL COILS ARE IN MICROHENRIES.
 3- ALL RESISTORS ARE 1/2 WATT.

REF: CK-439 (ROLL)

I	CMO-1	AO-103
Q'TY./UNIT	MODEL USED ON	ASS'Y. NO.
SCALE	CODE	
—55—	A	

THE CONTENTS OF THIS DRAWING ARE THE EXCLUSIVE PROPERTY OF THE TECHNICAL MATERIEL CORP. ITS UNAUTHORIZED USE OR REPRODUCTION IN WHOLE OR IN PART IS STRICTLY FORBIDDEN.

REQ'D.	ITEM	PART NUMBER	DESCRIPTION	SYMBOL
R. HAY LIST OF MATERIAL				
MATERIAL			THE TECHNICAL MATERIEL CORP. MAMARONECK, NEW YORK	
FINISH			TITLE	
—X—			DIAGRAM, SCHEMATIC, ELECTRICAL	
UNLESS OTHERWISE SPECIFIED DIMENSIONS ARE IN INCHES AND INCLUDE CHEMICALLY APPLIED OR PLATED FINISHES			DRAWN: <i>G. Sencen</i> DATE: 1-7-63	
DECIMALS: .X ± .05			CHECKED: <i>J. De</i> DATE: 1-17-64	
FRACTIONS: ± 1/64			ELECT. DES. DATE: 1/21/64	
ANGLES: ± 0° 30'			MECH. DES. DATE: 1/21/64	
TOLERANCES: ± 0° 30'			SHEET: CK-717	
			REV. LTR.	

NOTES

CK-717