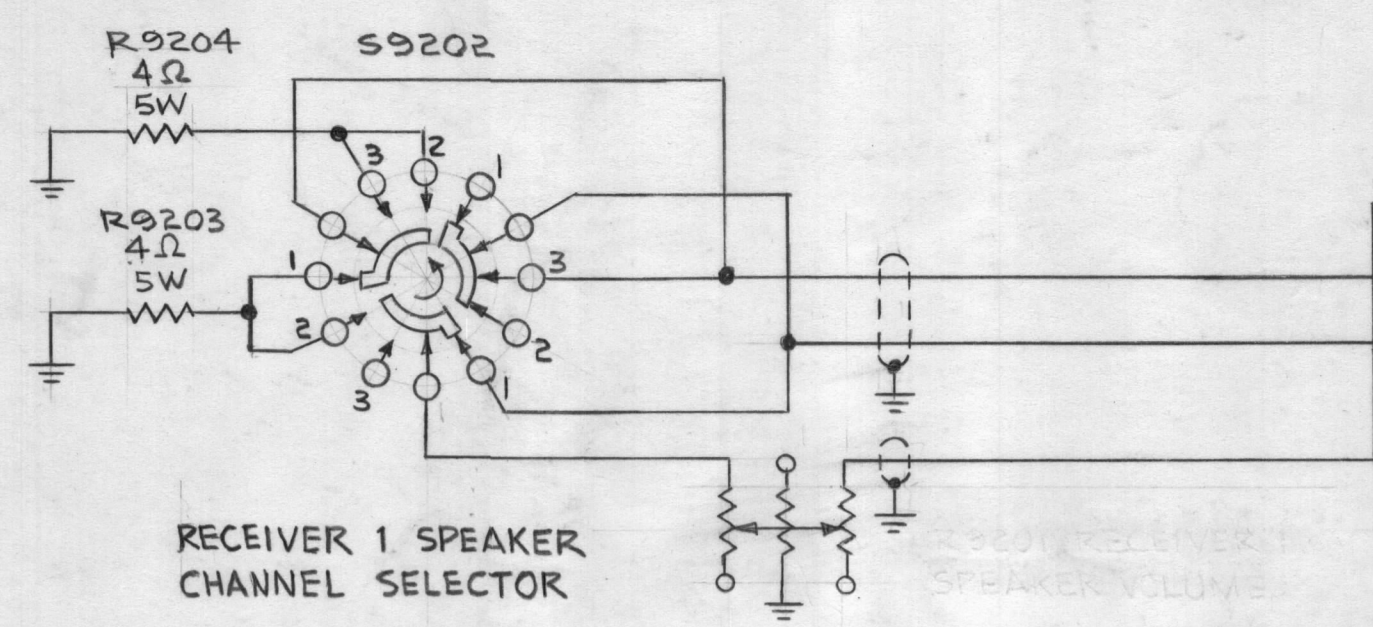
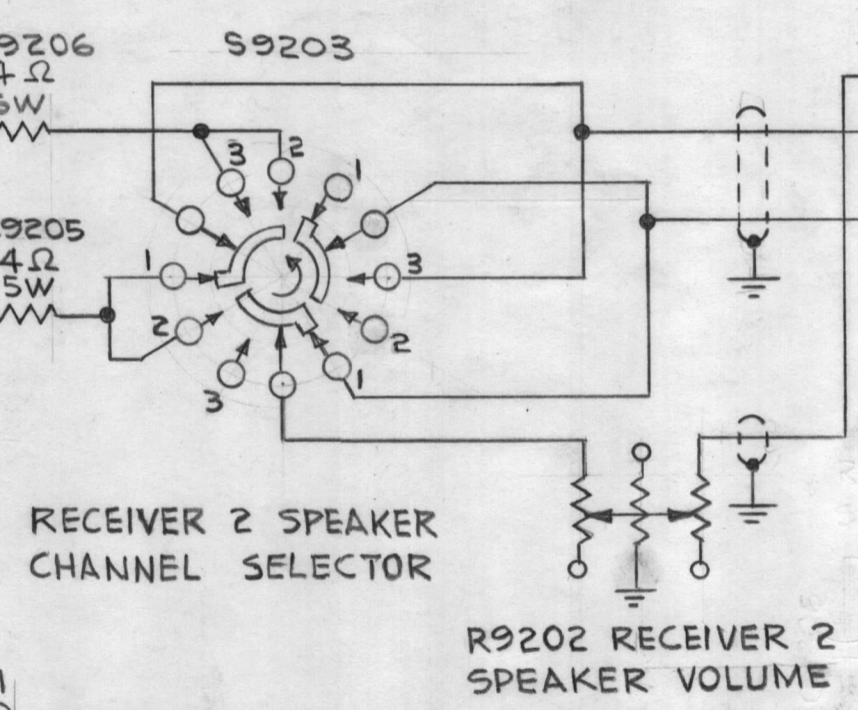
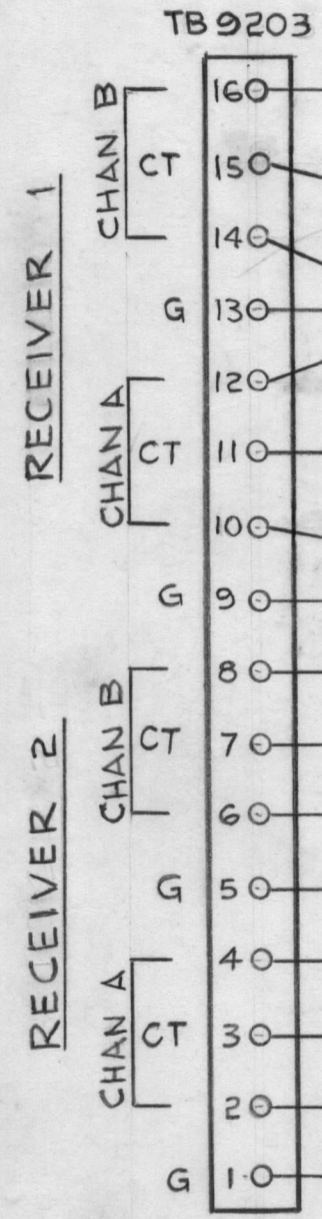


REVISIONS					
ZONE	SYM	DESCRIPTION	DATE	E.M.N. NO.	DRAFT
	0	ORIGINAL RELEASE FOR PRODUCTION	3/19/64		

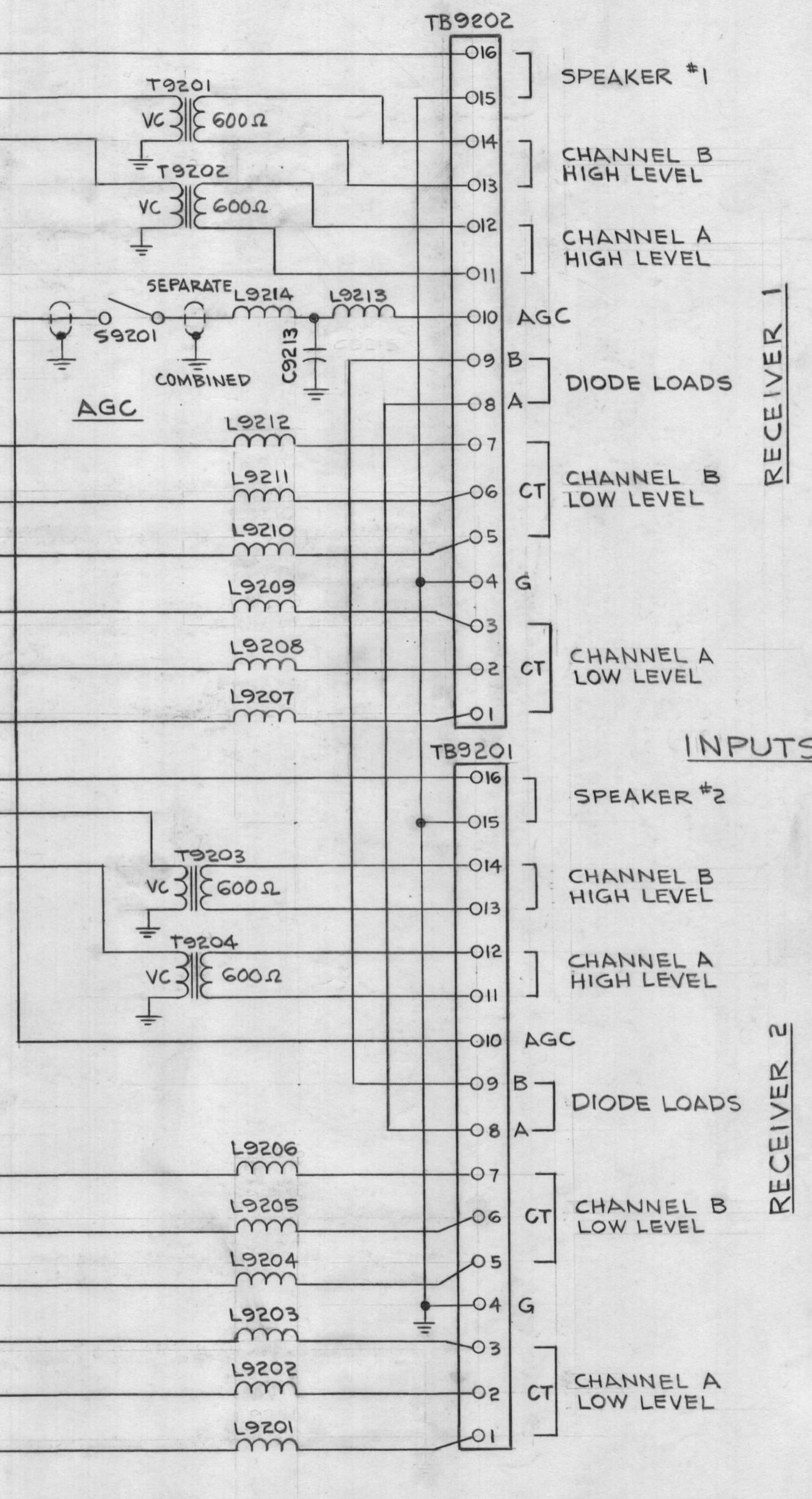


RECEIVER 1 SPEAKER CHANNEL SELECTOR
 R9201 RECEIVER 1 SPEAKER VOLUME

OUTPUTS



RECEIVER 2 SPEAKER CHANNEL SELECTOR
 R9202 RECEIVER 2 SPEAKER VOLUME



RECEIVER 1

RECEIVER 2

CK-699
0

S9202 S9203	
SWITCH POSITION	SPEAKER CHANNEL
1	A
2	OFF
3	B

LAST SYMBOLS

C9213
L9226
R9206
S9203
T9204
TB9203

1. ALL SWITCHES SHOWN IN POSITION 1 CHANNEL A.
2. ALL SWITCHES SHOWN FROM WIRED SIDE.
3. ALL CHOKES ARE 10μH.
4. ALL CAPACITORS ARE 510 μμF.

NOTES

HSP-3	
Q'TY./UNIT	MODEL USED ON
SCALE	CODE
	A

THE CONTENTS OF THIS DRAWING ARE THE EXCLUSIVE PROPERTY OF THE TECHNICAL MATERIEL CORP. ITS UNAUTHORIZED USE OR REPRODUCTION IN WHOLE OR IN PART IS STRICTLY FORBIDDEN.

REQ'D.	ITEM	PART NUMBER	DESCRIPTION	SYMBOL
I. JOHNSON LIST OF MATERIAL				
MATERIAL			THE TECHNICAL MATERIEL CORP. MAMARONECK, NEW YORK	
FINISH			TITLE DIAGRAM, SCHEMATIC, ELECTRICAL HSP-3	
UNLESS OTHERWISE SPECIFIED DIMENSIONS ARE IN INCHES AND INCLUDE CHEMICALLY APPLIED OR PLATED FINISHES		DRAWN	DATE	FINAL APPROVAL
DECIMALS		DATE	DATE	DATE
FRACTIONS		DATE	DATE	DATE
TOLERANCES		DATE	DATE	DATE
ANGLES		DATE	DATE	DATE
STOCK NO. 440H		DATE	DATE	DATE