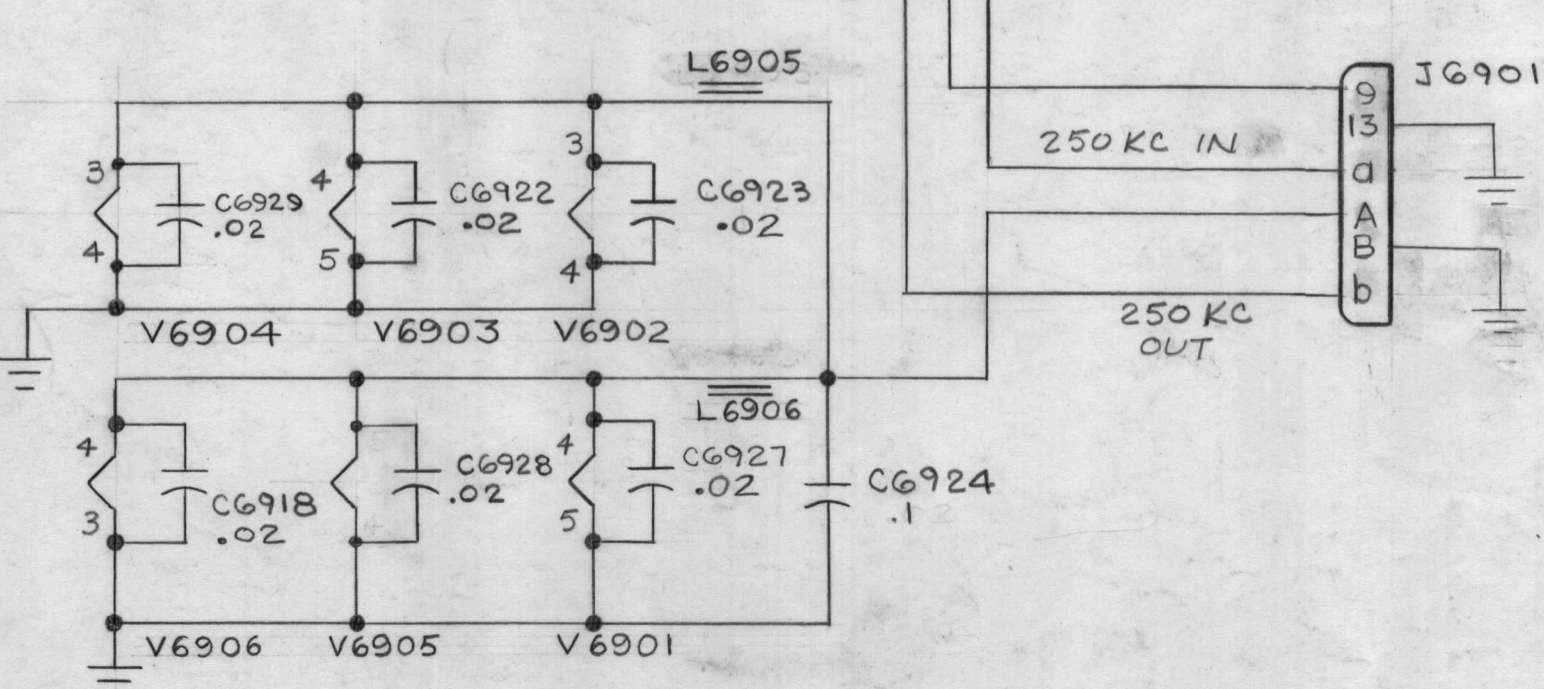
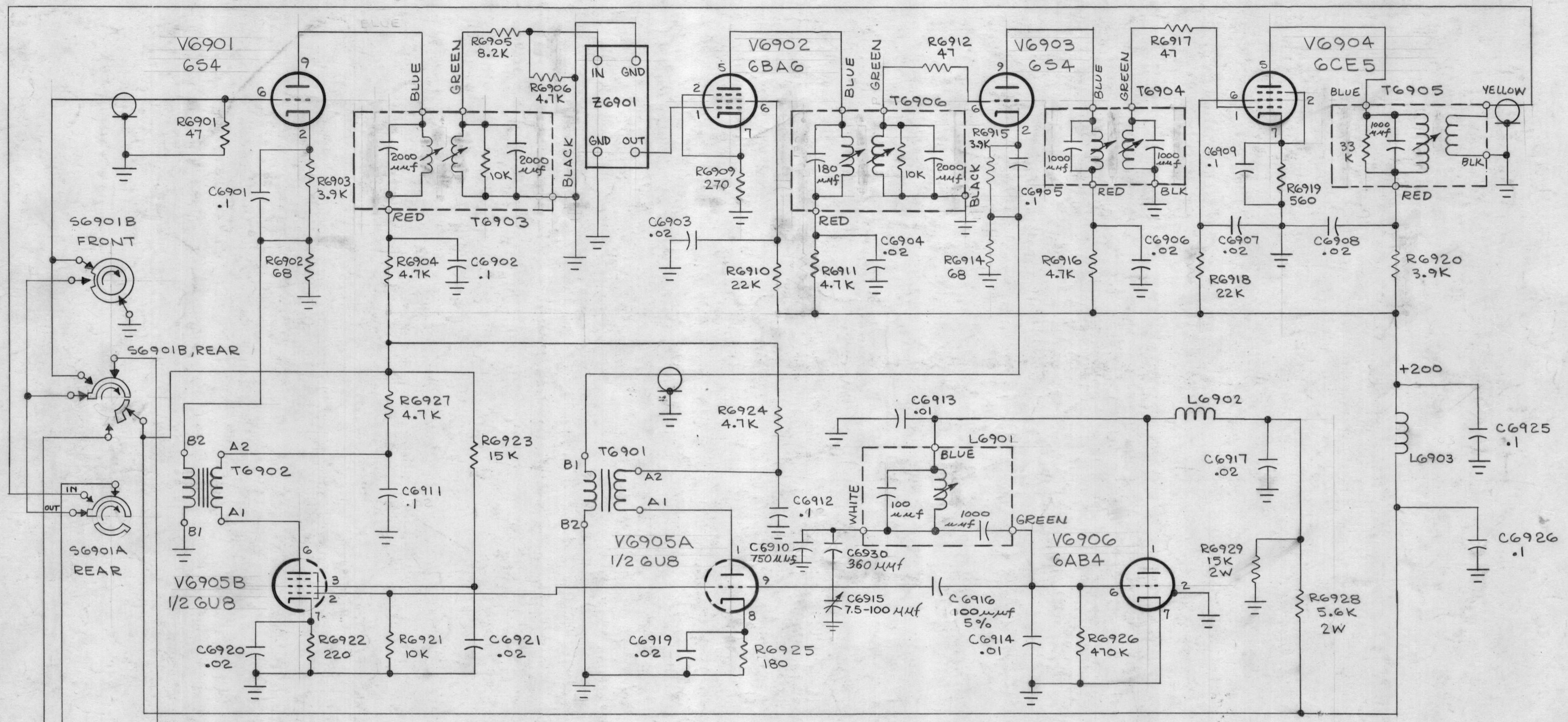


REVISIONS							
ZONE	SYM	DESCRIPTION	DATE	E.M.N. NO.	DRAFT	CHKD	APPD
1		6031B MAMARONECK, N.Y. SCHEMATIC REVISED	10-18-63	1100			
2	X2	CG915 WAS 5-50MUF, ADDED CG925	11-14-63			TR	



FIRST SYMBOL	LAST SYMBOL	MISSING SYMBOLS
R6901	R6929	R6902, 8, 13
C6901	C6930	
L6901	L6906	L6904
T6901	T6906	
V6901	V6906	
J6901	J6901	
SG901	SG901	
Z6901	Z6901	

-UNLESS OTHERWISE SPECIFIED-
 1- ALL RESISTORS ARE IN OHMS, 1/2 WATT.
 2- ALL CAPACITORS ARE MICROFARADS.

NOTE:
 SG901 SHOWN IN OFF POSITION.

NOTES

1	MNF-1	
Q'TY./UNIT	MODEL USED ON	ASS'Y. NO.
SCALE	CODE	
	A	

THE CONTENTS OF THIS DRAWING ARE THE EXCLUSIVE PROPERTY OF THE TECHNICAL MATERIEL CORP. ITS UNAUTHORIZED USE OR REPRODUCTION IN WHOLE OR IN PART IS STRICTLY FORBIDDEN.

REQ'D.	ITEM	PART NUMBER	DESCRIPTION	SYMBOL
AALTONEN LIST OF MATERIAL				
MATERIAL			THE TECHNICAL MATERIEL CORP. MAMARONECK, NEW YORK	
FINISH			TITLE DIAGRAM, SCHEMATIC (MNF-1 MODULE)	
UNLESS OTHERWISE SPECIFIED DIMENSIONS ARE IN INCHES AND INCLUDE CHEMICALLY APPLIED OR PLATED FINISHES			DRAWN: <i>E. Jancan</i> CHECKED: <i>A. Jancan</i> ELECT. DES.: <i>A. Jancan</i> MECH. DES.: <i>A. Jancan</i>	DATE: 10-18-63 DATE: 2-15-64 DATE: 11/9/63 DATE: 2-15-64
DECIMALS: .X ± .05 .XX ± .01 .XXX ± .005			TOLERANCES: ± 1/64 ANGLES: ± 0° 30'	
			FINAL APPROVAL: <i>R. Jancan</i> DATE: 11/9/63 SHEET: CK-696	
			REV. LTR.	

CK-696