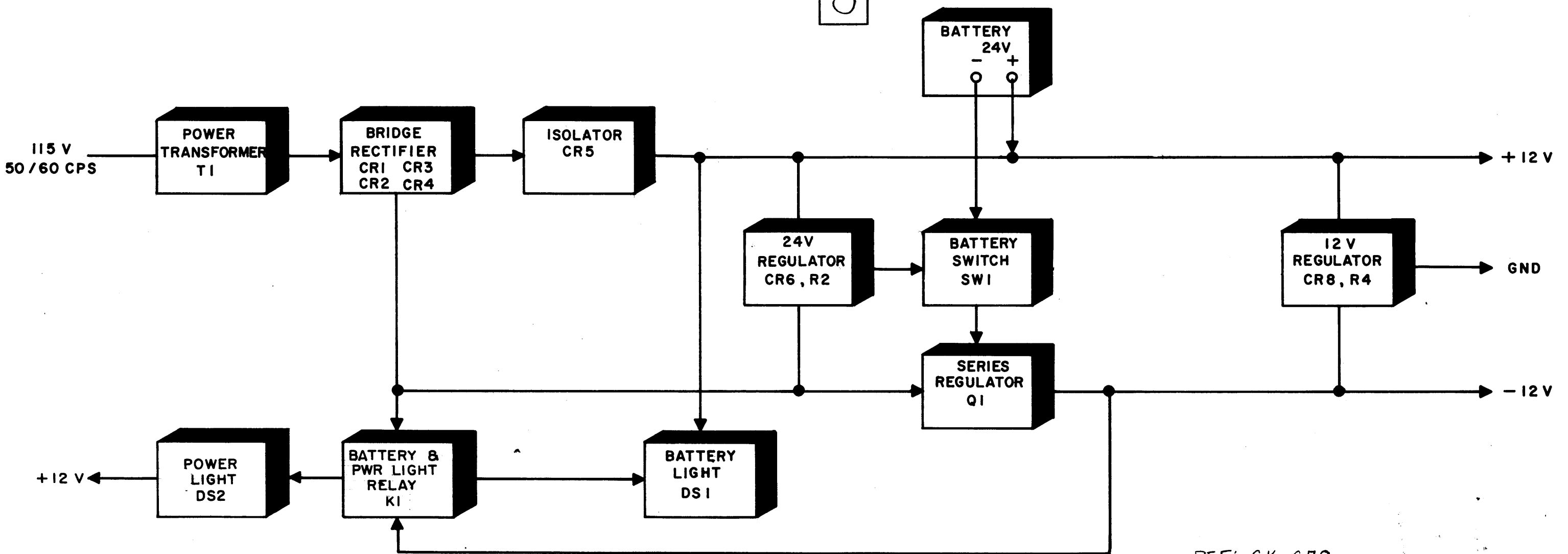


CK-687

REVISIONS						
SYM	DESCRIPTION	DATE	E.M.N. NO.	DRAFT	CHKD	APPD
Ø	ORIGINAL RELEASE FOR PRODUCTION	6/1/64	0	A.M	@	W



REF: CK-679

REQ'D.	ITEM	PART NUMBER	M. GELLMAN	DESCRIPTION	SYMBOL
LIST OF MATERIAL					
MATERIAL			THE TECHNICAL MATERIEL CORP.		
			MAMARONECK, NEW YORK		
FINISH			TITLE		
			DIAGRAM, BLOCK (POWER SUPPLY)		
UNLESS OTHERWISE SPECIFIED DIMENSIONS ARE IN INCHES AND INCLUDE CHEMICALLY APPLIED OR PLATED FINISHES		DRAWN J. LESHINSKI	DATE 7/30/63	FINAL APPROVAL	
		CHECKED @	DATE 5-7-64	DATE	
		ELECT. DES. W	DATE	CK-687	
		MECH. DES.	DATE	Ø	
				SHEET	
				REV. LTR.	

1	LFS-1	
1	VLR-1	
Q'TY./UNIT	MODEL USED ON	ASS'Y. NO.
SCALE	CODE	
	A	

THE CONTENTS OF THIS DRAWING ARE THE EXCLUSIVE PROPERTY OF THE TECHNICAL MATERIEL CORP. ITS UNAUTHORIZED USE OR REPRODUCTION IN WHOLE OR IN PART IS STRICTLY FORBIDDEN.

DECIMALS	TOLERANCES	FRACTIONS
.X ± .05		± 1/64
.XX ± .01		ANGLES
.XXX ± .005		± 0° 30'

NOTES