

THE CONTENTS OF THIS DRAWING ARE THE EXCLUSIVE PROPERTY OF THE TECHNICAL MATERIEL CORP. ITS UNAUTHORIZED USE FOR REPRODUCTION IN WHOLE OR IN PART IS STRICTLY FORBIDDEN.

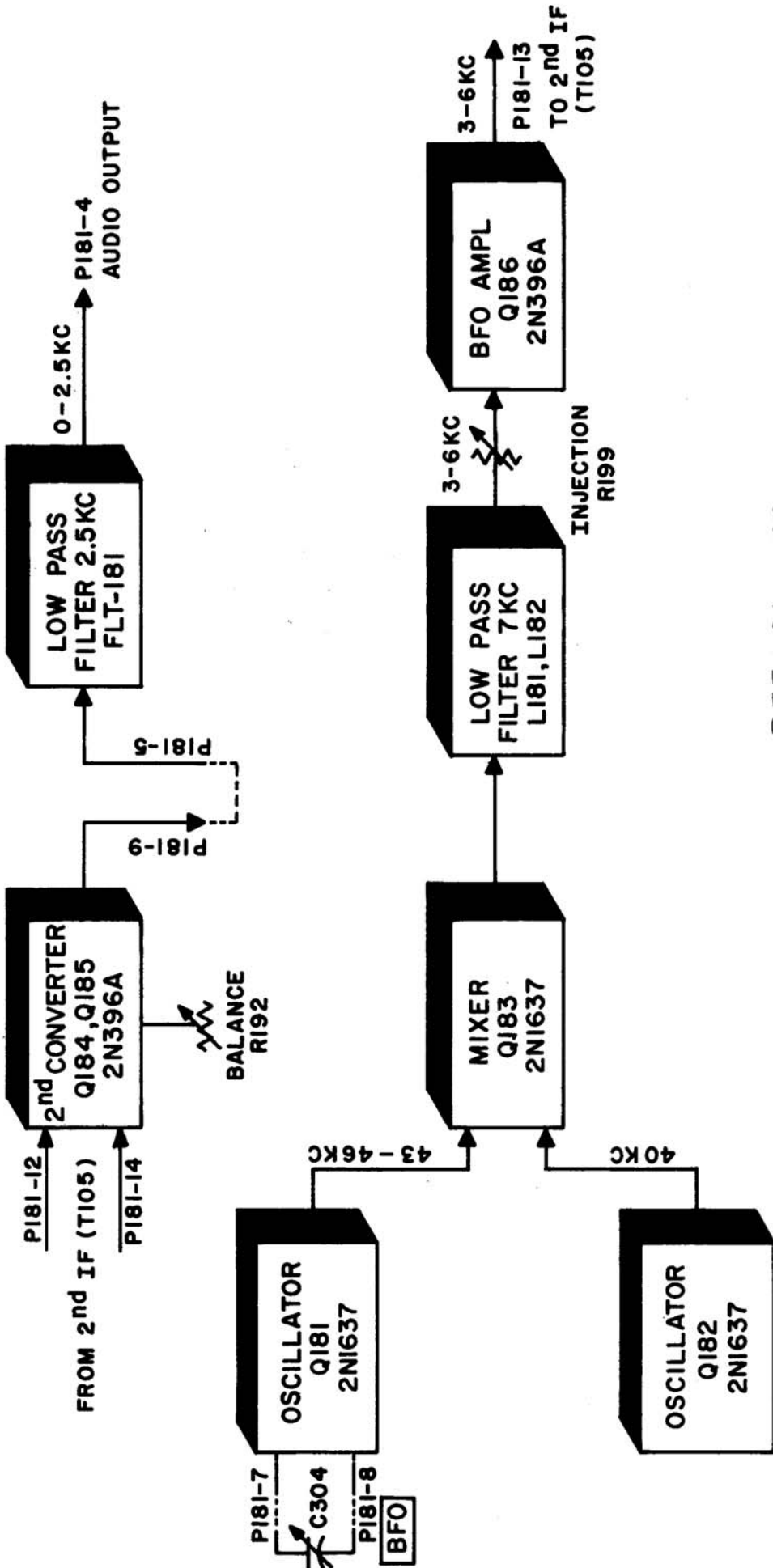
REQ. PER UNIT  
1

MODEL  
VLR-1

USED ON ASSY. NO.  
AX-424

DATE  
6-19-63

CK 672 0



REF: CK-677

REQ. ITEM	PART NO.	M. GELLMAN	DESCRIPTION	SYMBOL
			THE TECHNICAL MATERIEL CORP. MAMARONECK, NEW YORK	
			DIAGRAM, BLOCK (BFO MODULE)	
		Q. Simon	CHECKED	FINAL APPROVAL
			DRAWN	
			MECH. DES. APP.	CK 672 0
			MECH. DES. APP.	
			FINISH & SPEC. NO.	
			SCALE	
			DATE	
			CH. NO.	
			DRAFTS	
			CHECKER	
			ENG. APP.	
			DATE	
			CH. NO.	
			DRAFTS	
			CHECKER	
			ENG. APP.	
			DATE	
			CH. NO.	
			DRAFTS	
			CHECKER	
			ENG. APP.	
			DATE	
			CH. NO.	
			DRAFTS	
			CHECKER	
			ENG. APP.	
			DATE	
			CH. NO.	
			DRAFTS	
			CHECKER	
			ENG. APP.	
			DATE	
			CH. NO.	
			DRAFTS	
			CHECKER	
			ENG. APP.	
			DATE	
			CH. NO.	
			DRAFTS	
			CHECKER	
			ENG. APP.	
			DATE	
			CH. NO.	
			DRAFTS	
			CHECKER	
			ENG. APP.	
			DATE	
			CH. NO.	
			DRAFTS	
			CHECKER	
			ENG. APP.	
			DATE	
			CH. NO.	
			DRAFTS	
			CHECKER	
			ENG. APP.	
			DATE	
			CH. NO.	
			DRAFTS	
			CHECKER	
			ENG. APP.	
			DATE	
			CH. NO.	
			DRAFTS	
			CHECKER	
			ENG. APP.	
			DATE	
			CH. NO.	
			DRAFTS	
			CHECKER	
			ENG. APP.	
			DATE	
			CH. NO.	
			DRAFTS	
			CHECKER	
			ENG. APP.	
			DATE	
			CH. NO.	
			DRAFTS	
			CHECKER	
			ENG. APP.	
			DATE	
			CH. NO.	
			DRAFTS	
			CHECKER	
			ENG. APP.	
			DATE	
			CH. NO.	
			DRAFTS	
			CHECKER	
			ENG. APP.	
			DATE	
			CH. NO.	
			DRAFTS	
			CHECKER	
			ENG. APP.	
			DATE	
			CH. NO.	
			DRAFTS	
			CHECKER	
			ENG. APP.	
			DATE	
			CH. NO.	
			DRAFTS	
			CHECKER	
			ENG. APP.	
			DATE	
			CH. NO.	
			DRAFTS	
			CHECKER	
			ENG. APP.	
			DATE	
			CH. NO.	
			DRAFTS	
			CHECKER	
			ENG. APP.	
			DATE	
			CH. NO.	
			DRAFTS	
			CHECKER	
			ENG. APP.	
			DATE	
			CH. NO.	
			DRAFTS	
			CHECKER	
			ENG. APP.	
			DATE	
			CH. NO.	
			DRAFTS	
			CHECKER	
			ENG. APP.	
			DATE	
			CH. NO.	
			DRAFTS	
			CHECKER	
			ENG. APP.	
			DATE	
			CH. NO.	
			DRAFTS	
			CHECKER	
			ENG. APP.	
			DATE	
			CH. NO.	
			DRAFTS	
			CHECKER	
			ENG. APP.	
			DATE	
			CH. NO.	
			DRAFTS	
			CHECKER	
			ENG. APP.	
			DATE	
			CH. NO.	
			DRAFTS	
			CHECKER	
			ENG. APP.	
			DATE	
			CH. NO.	
			DRAFTS	
			CHECKER	
			ENG. APP.	
			DATE	
			CH. NO.	
			DRAFTS	
			CHECKER	
			ENG. APP.	
			DATE	
			CH. NO.	
			DRAFTS	
			CHECKER	
			ENG. APP.	
			DATE	
			CH. NO.	
			DRAFTS	
			CHECKER	
			ENG. APP.	
			DATE	
			CH. NO.	
			DRAFTS	
			CHECKER	
			ENG. APP.	
			DATE	
			CH. NO.	
			DRAFTS	
			CHECKER	
			ENG. APP.	
			DATE	
			CH. NO.	
			DRAFTS	
			CHECKER	
			ENG. APP.	
			DATE	
			CH. NO.	
			DRAFTS	
			CHECKER	
			ENG. APP.	
			DATE	
			CH. NO.	
			DRAFTS	
			CHECKER	
			ENG. APP.	
			DATE	
			CH. NO.	
			DRAFTS	
			CHECKER	
			ENG. APP.	
			DATE	
			CH. NO.	
			DRAFTS	
			CHECKER	
			ENG. APP.	
			DATE	
			CH. NO.	
			DRAFTS	
			CHECKER	
			ENG. APP.	
			DATE	
			CH. NO.	
			DRAFTS	
			CHECKER	
			ENG. APP.	
			DATE	
			CH. NO.	
			DRAFTS	
			CHECKER	
			ENG. APP.	
			DATE	
			CH. NO.	
			DRAFTS	
			CHECKER	
			ENG. APP.	
			DATE	
			CH. NO.	
			DRAFTS	
			CHECKER	
			ENG. APP.	
			DATE	
			CH. NO.	
			DRAFTS	
			CHECKER	
			ENG. APP.	
			DATE	
			CH. NO.	
			DRAFTS	
			CHECKER	
			ENG. APP.	
			DATE	
			CH. NO.	
			DRAFTS	
			CHECKER	
			ENG. APP.	
			DATE	
			CH. NO.	
			DRAFTS	
			CHECKER	
			ENG. APP.	
			DATE	
			CH. NO.	
			DRAFTS	
			CHECKER	
			ENG. APP.	
			DATE	
			CH. NO.	
			DRAFTS	
			CHECKER	
			ENG. APP.	
			DATE	
			CH. NO.	
			DRAFTS	
			CHECKER	
			ENG. APP.	
			DATE	
			CH. NO.	
			DRAFTS	
			CHECKER	
			ENG. APP.	
			DATE	
			CH. NO.	
			DRAFTS	
			CHECKER	
			ENG. APP.	
			DATE	
			CH. NO.	
			DRAFTS	
			CHECKER	
			ENG. APP.	
			DATE	
			CH. NO.	
			DRAFTS	
			CHECKER	
			ENG. APP.	
			DATE	
			CH. NO.	
			DRAFTS	
			CHECKER	
			ENG. APP.	
			DATE	
			CH. NO.	
			DRAFTS	
			CHECKER	
			ENG. APP.	
			DATE	
			CH. NO.	
			DRAFTS	
			CHECKER	
			ENG. APP.	
			DATE	
			CH. NO.	
			DRAFTS	
			CHECKER	
			ENG. APP.	
			DATE	
			CH. NO.	
			DRAFTS	
			CHECKER	
			ENG. APP.	
			DATE	
			CH. NO.	
			DRAFTS	
			CHECKER	
			ENG. APP.	
			DATE	
			CH. NO.	
			DRAFTS	
			CHECKER	
			ENG. APP.	
			DATE	