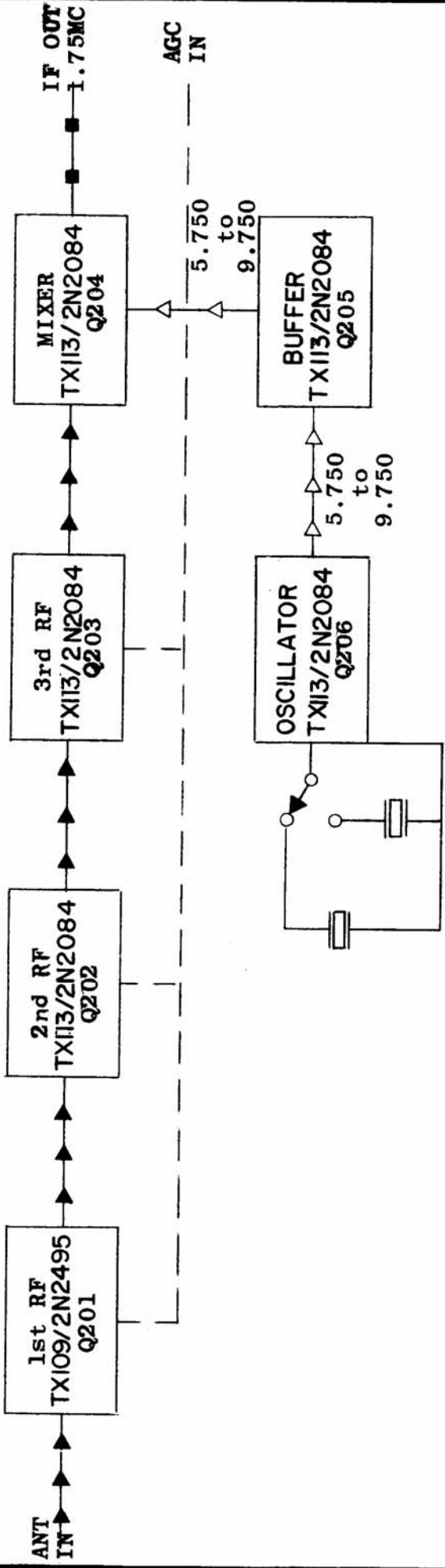


REQ. PER UNIT	MODEL	USED ON
	TTRR-2	ASSY. NO.
		DATE
		10-30-63

CK-666

B



RF FREQUENCY = 4-8 MC  
 INJECTION FREQUENCY = 5.750 - 9.750 MC  
 AGC CONTROL VOLTAGE  
 INTERMEDIATE FREQUENCY=1.75 MC

TO ALL STAGES  
 +12VDC  
 -12VDC  
 GND

REQ. ITEM	PART NO.	DESCRIPTION	SYMBOL
		FALMER	
		THE TECHNICAL MATERIEL CORP. MAMARONECK, NEW YORK	
		BLOCK DIAGRAM, RCVR CONVERTER	
		TTRR-2 4-8 MC	
		10-30-63	
		11/18/63	
		W.A. PALMER	
		11/18/63	
		KOHN	
		ELEC. DES. APP. MECH. DES. APP.	
		FINISH & SPEC. NO.	
		CK-666	
		B	