

G

F

E

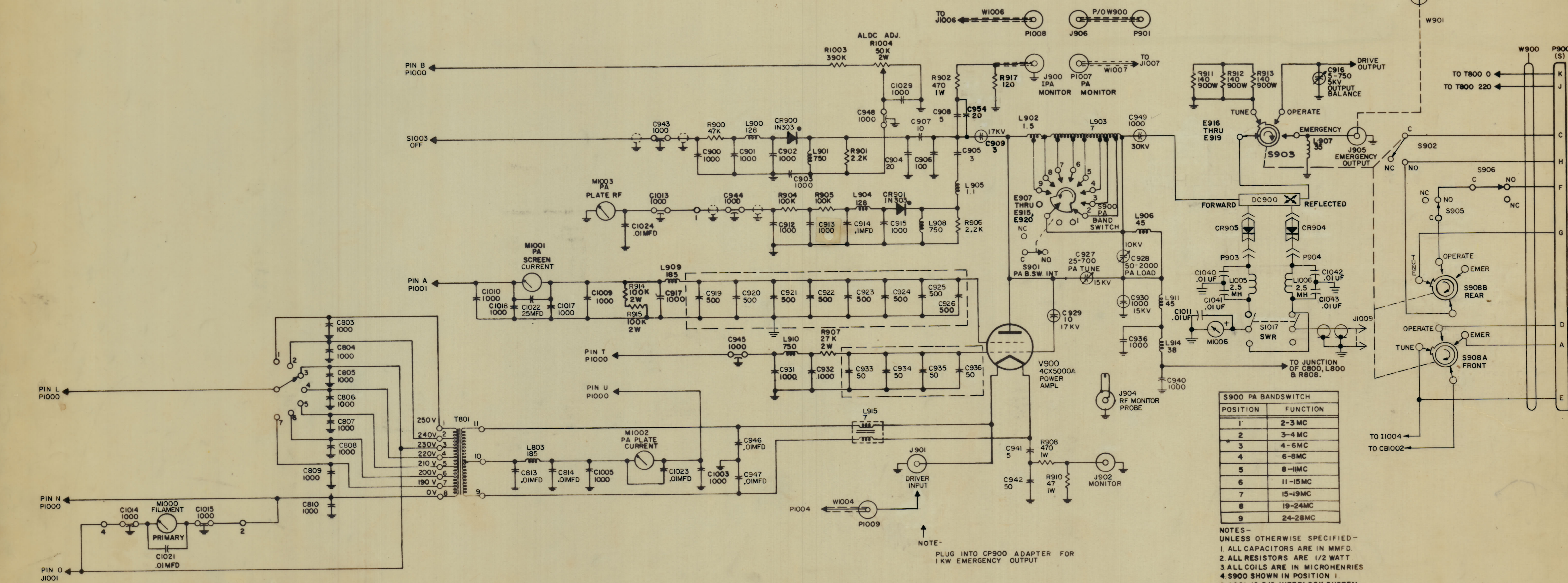
D

C

B

A

(TO P1004 DRIVER)
 W1004
 P1009
 NOTE -
 FOR 1 KW EMERGENCY OUTPUT, DISCONNECT LEAD FROM S903 EMERGENCY POSITION TO J905 AND CONNECT CABLES W901 (LOOSE ITEM) AND W1004 AS SHOWN
 CP900
 P902
 W901



POSITION	FUNCTION
1	2-3 MC
2	3-4 MC
3	4-6 MC
4	6-8 MC
5	8-11 MC
6	11-15 MC
7	15-19 MC
8	19-24 MC
9	24-28 MC

NOTES -
 UNLESS OTHERWISE SPECIFIED -
 1. ALL CAPACITORS ARE IN MMFD.
 2. ALL RESISTORS ARE 1/2 WATT
 3. ALL COILS ARE IN MICROHENRIES
 4. S900 SHOWN IN POSITION 1
 5. S901 IS P/O INTERLOCK SYSTEM. SEE MASTER SCHEM. (CK-649) FOR CONNECTIONS.
 6. THE 800 & 1000 SYMBOL SERIES SHOWN ARE NOT P/O P.A.

LAST SYMBOLS	MISSING SYMBOLS	SYMBOLS NOT USED
A904 C954 CR905 CP901 DC901 *E920 J906 L919 P904 R917 S908 V900 W902	A901, 902 C937, 938, 918, 911, 910 CR902, 903 E900 THRU E906 J903 L912, 913 R909, 903 S904, 907	C950, 951, 952, 953 CP901 DC901 L916, 917, 918, 919 R916

*E907 THRU E915 AND E920 ARE S900 CONTACTS
 E916 THRU E919 ARE S903 CONTACTS

B	F5	LAST SYM. & MISS. SYM. UPDATED. C910 DELE; "1W" ADD TO R901, R917, R918, R919, R920, R921; C954 ADD.	5-6-65	14017	AL	SRG
A	E2	ON SCHEM. ON S902, NO WAS NC, NC WAS NO.	11-9-64	12860	AL	SRG
O		ORIGINAL RELEASE FOR PRODUCTION	6-1-64	0	A.M.	SRG
X1		UP DATED MISSING SYM., SYM. NOT USED ADDED CAP VALUES ADDED; UP DATED LAST SYM.	6-14-64		SRG	SRG

SYM	ZONE	DESCRIPTION	DATE	CH. NO.	DRAFTS	CHECKER	ENG. APP.
UNLESS OTHERWISE SPECIFIED.							
SCALE							
DIMENSIONS ARE IN INCHES							
TOLERANCES ON FRACTIONS ± 1/64 DECIMALS ± .005 ANGLES ± 1/2°							
MAXIMUM ALLOWABLE TOLERANCES HAVE BEEN DETERMINED AND ANY DEVIATIONS WILL BE CAUSE FOR REJECTION. REMOVE ALL BURRS & SHARP EDGES							

1	GPT-40K() 4	AX-510		1-15-64
REV	ITEM	PART NO.	DATE	BY

REQ	ITEM	PART NO.	DESCRIPTION	SYMBOL
			F. BUDETTI	
THE TECHNICAL MATERIEL CORP. MAMARONECK NEW YORK				
SCHEMATIC DIAGRAM				
PA SECTION: 2-25 MC				
W.A. FRANCO				
DRAWN CHECKED FINAL APPROVAL				
20/65 aa CK-647 B				
ELEC. DES. APP. MECH. DES. APP. SHEET OF				

CK-647 B