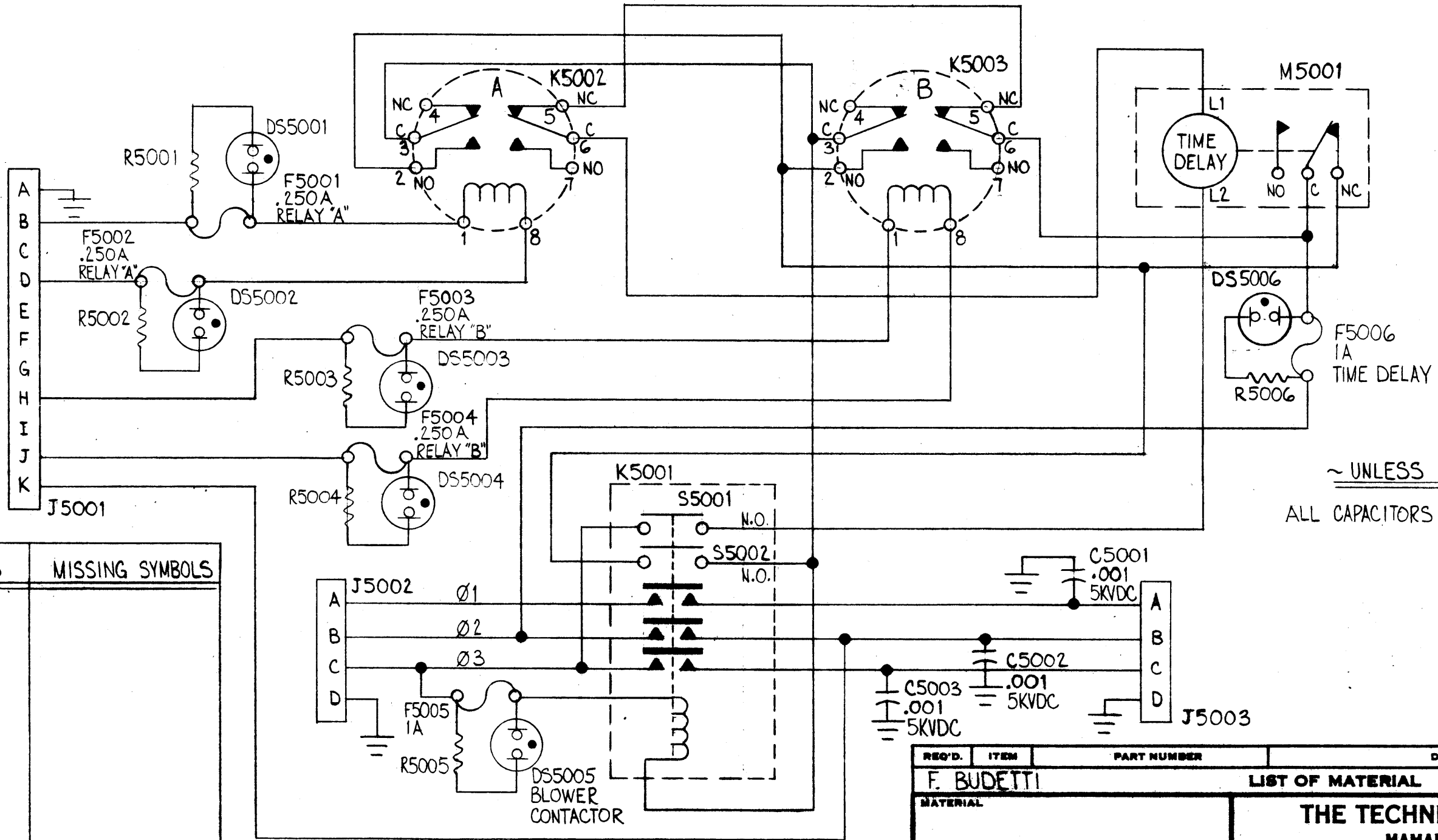


CK-637



REVISIONS

SYM	DESCRIPTION	DATE	E.M.N. NO.	DRAFT	CHKD	APPD
0	ORIGINAL RELEASE FOR PRODUCTION	3-26-64			A.M.	



~ UNLESS OTHERWISE SPECIFIED ~  
ALL CAPACITORS ARE IN MICROFARADS.

LAST SYMBOLS MISSING SYMBOLS

- C5003
- DS5006
- F5006
- J5003
- K5003
- S5002
- M5001
- R5006

Q'TY./UNIT	MODEL USED ON	ASS'Y. NO.
	GPT-200K	AX-393
SCALE	CODE	
	A	

NOTES

THE CONTENTS OF THIS DRAWING ARE THE EXCLUSIVE PROPERTY OF THE TECHNICAL MATERIEL CORP. ITS UNAUTHORIZED USE OR REPRODUCTION IN WHOLE OR IN PART IS STRICTLY FORBIDDEN.

REQ'D.	ITEM	PART NUMBER	DESCRIPTION	SYMBOL
F. BUDETTI				
MATERIAL			THE TECHNICAL MATERIEL CORP. MAMARONECK, NEW YORK	
FINISH			TITLE SCHEMATIC DIAGRAM, BLOWER DELAY	
UNLESS OTHERWISE SPECIFIED DIMENSIONS ARE IN INCHES AND INCLUDE CHEMICALLY APPLIED OR PLATED FINISHES		DRAWN W.A. FRANCO	DATE 3-18-63	FINAL APPROVAL DATE
DECIMALS .X ± .08 .XX ± .01 .XXX ± .008		CHECKED W.F.	DATE 2-13-64	DATE
TOLERANCES		ELECT. DES. W.B.F.	DATE 2/11/64	CK-637
FRACTIONS ± 1/64 ANGLES ± 0° 30'		MECH. DES. J.D.	DATE 2-13-64	SHEET
				REV. LTR.