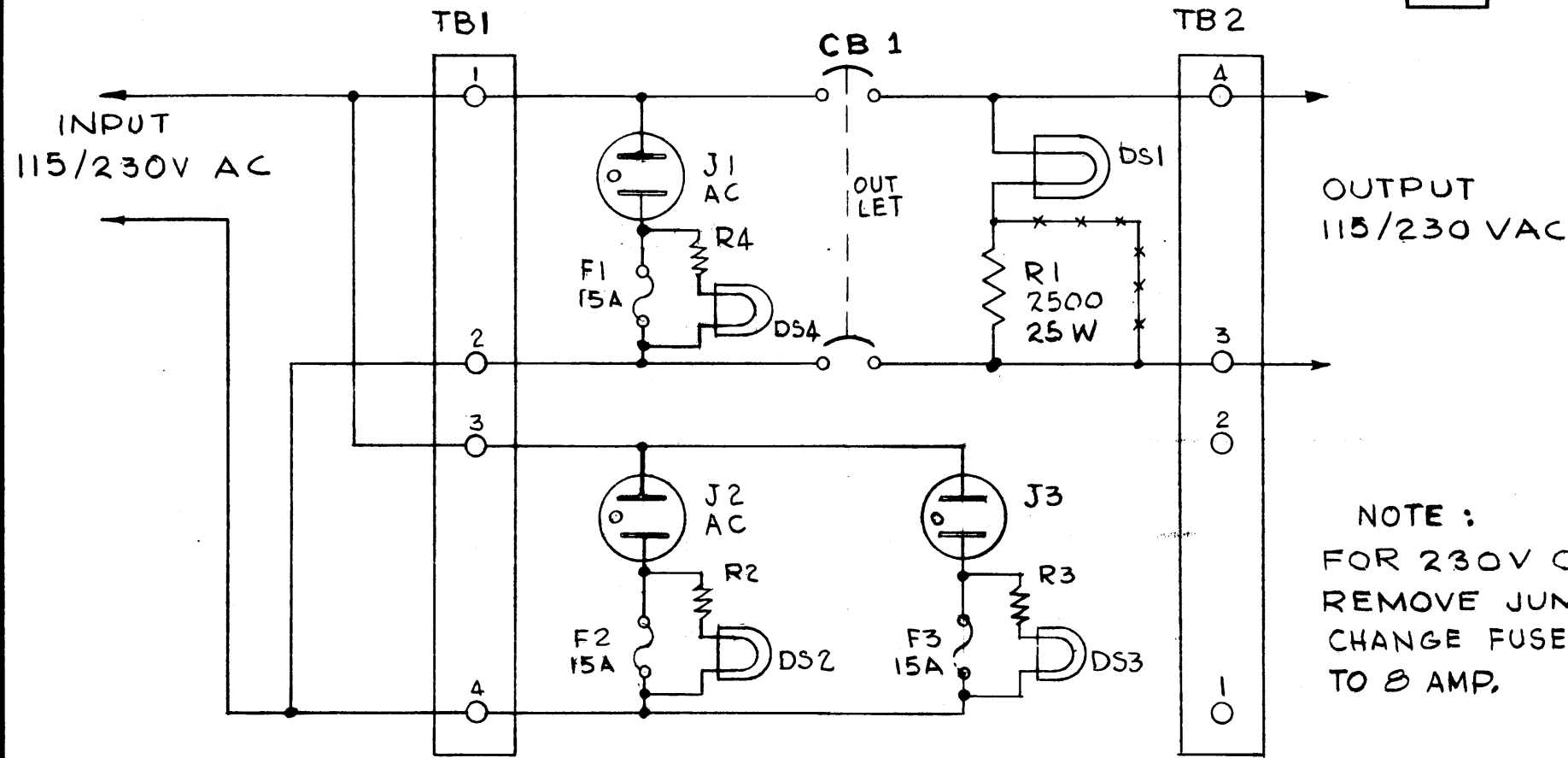


REVISIONS

SYM	DESCRIPTION	DATE	E.M.N. NO.	DRAFT	CHKD	APPD
-----	-------------	------	------------	-------	------	------

CK-624



NOTE :
FOR 230V OPERATION,
REMOVE JUMPER MARKED ***
CHANGE FUSES F1, F2 & F3 FROM 15 AMP
TO 8 AMP.

REQ'D.	ITEM	PART NUMBER	DESCRIPTION	SYMBOL	
STRUMER LIST OF MATERIAL					
MATERIAL		THE TECHNICAL MATERIEL CORP. MAMARONECK, NEW YORK			
FINISH		TITLE SCHEMATIC DIAGRAM DCP-2			
UNLESS OTHERWISE SPECIFIED DIMENSIONS ARE IN INCHES AND INCLUDE CHEMICALLY APPLIED OR PLATED FINISHES		DRAWN T. RAMIREZ DATE 2-11-63	FINAL APPROVAL <i>BP</i> DATE 3-18-63	DATE	
DECIMALS .X ± .05 .XX ± .01 .XXX ± .005		TOLERANCES FRACTIONS ± 1/64 ANGLES ± 0° 30'	ELECT. DES. <i>[Signature]</i> DATE 3-18-63	MECH. DES. <i>[Signature]</i> DATE 3-18-63	SHEET CK-624 REV. LTR.

1	DCP-2	
Q'TY./UNIT	MODEL USED ON	ASS'Y. NO.
SCALE	CODE	

THE CONTENTS OF THIS DRAWING ARE THE EXCLUSIVE PROPERTY OF THE TECHNICAL MATERIEL CORP. ITS UNAUTHORIZED USE OR REPRODUCTION IN WHOLE OR IN PART IS STRICTLY FORBIDDEN.

NOTES