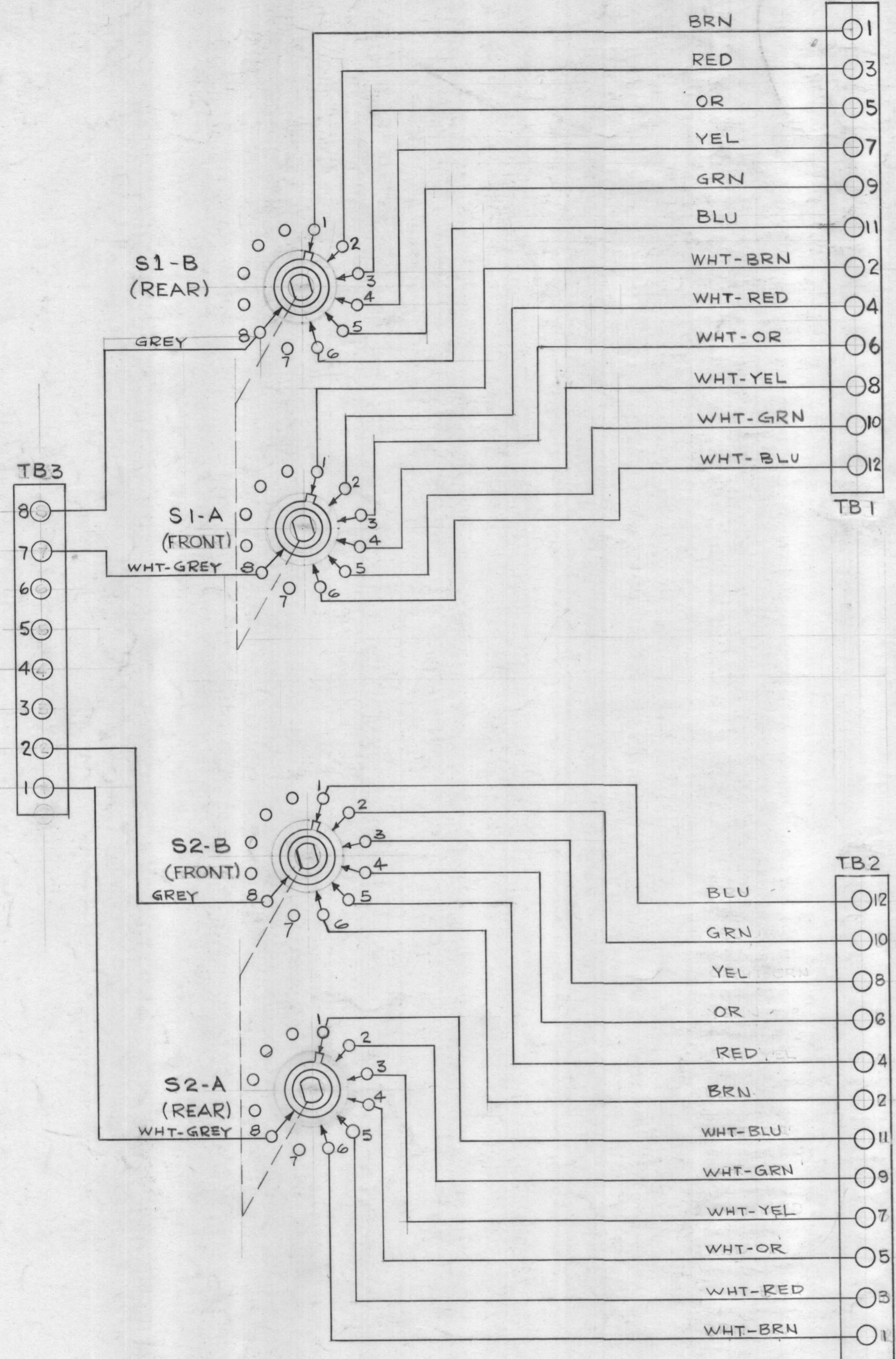


REVISIONS							
ZONE	SYM	DESCRIPTION	DATE	E.M.N. NO.	DRAFT	CHKD	APPD
D7, F1, D4	A	S1-A, S2-B WERE "REAR", TB2 NOS WERE REVERSED (TOP-BOTTOM)	4-30-63	8925			
B.C.D.5	B	COLOR CODING ON S2 REVISED	5-21-63	9032			



NOTE:
SWITCHES ARE SHOWN IN
EXTREME COUNTER CLOCKWISE
POSITION.

NOTES

SDP-1		
QTY./UNIT	MODEL USED ON	ASS'Y. NO.
SCALE	CODE	
THE CONTENTS OF THIS DRAWING ARE THE EXCLUSIVE PROPERTY OF THE TECHNICAL MATERIEL CORP. ITS UNAUTHORIZED USE OR REPRODUCTION IN WHOLE OR IN PART IS STRICTLY FORBIDDEN.		

REQ'D.	ITEM	PART NUMBER	DESCRIPTION	SYMBOL
STRUMER LIST OF MATERIAL				
MATERIAL		THE TECHNICAL MATERIEL CORP. MAMARONECK, NEW YORK		
FINISH		TITLE SCHEMATIC DIAGRAM SDP-1		
UNLESS OTHERWISE SPECIFIED DIMENSIONS ARE IN INCHES AND INCLUDE CHEMICALLY APPLIED OR PLATED FINISHES		DRAWN TRAMIREZ	DATE 2/18/63	FINAL APPROVAL BP
DECIMALS .X ± .05 .XX ± .01 .XXX ± .005		CHECKED [Signature]	DATE 3-7-63	DATE 3-7-63
FRACTIONS ± 1/64 ANGLES ± 0° 30'		ELECT. DES. [Signature]	DATE 3-7-63	DATE 3-11-63
TOLERANCES		MECH. DES. [Signature]	DATE 3-11-63	DATE 3-11-63
			SHEET	REV. LTR.

CK-622
B