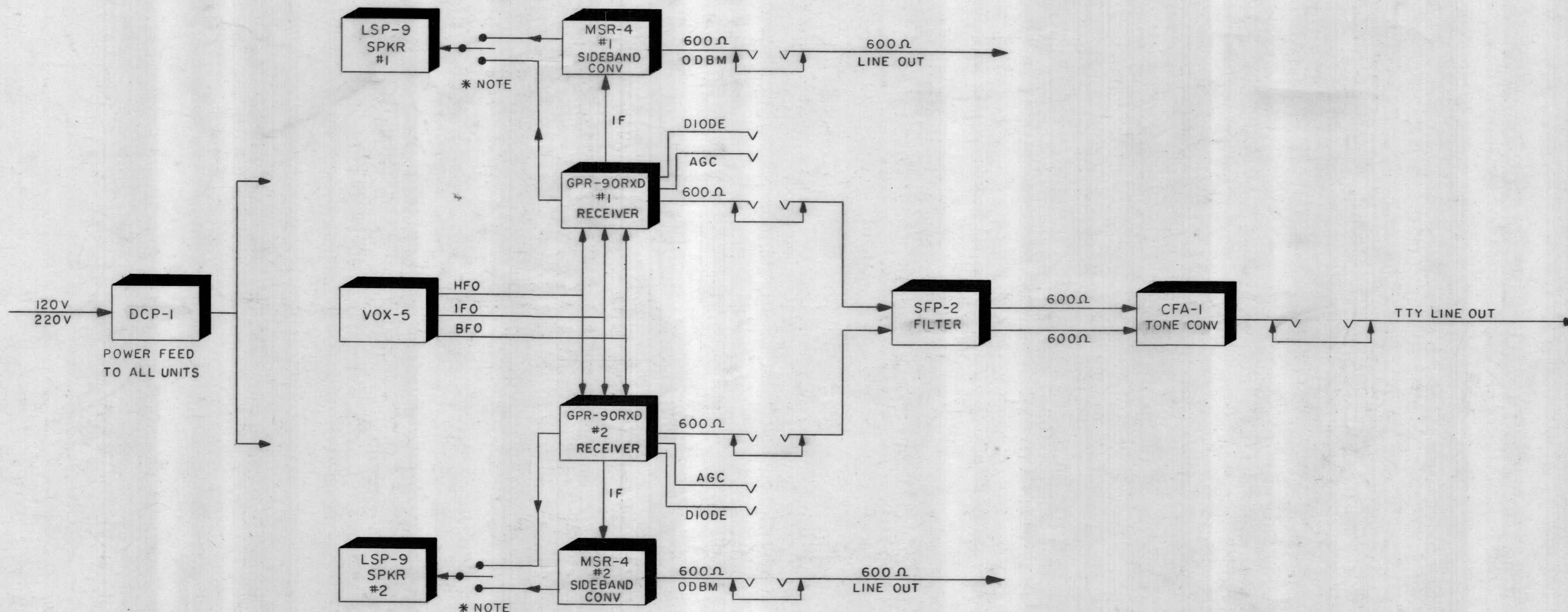


NOTICE TO PERSONS RECEIVING THIS DRAWING

THE TECHNICAL MATERIEL CORPORATION claims proprietary right in the material disclosed hereon. This drawing is issued in confidence for engineering information only and may not be reproduced or used to manufacture anything shown hereon without permission from THE TECHNICAL MATERIEL CORPORATION to the user. This drawing is loaned for mutual assistance and is subject to recall at any time.

Property of:
THE TECHNICAL MATERIEL CORPORATION
 MAMARONECK, NEW YORK

REVISIONS					
ZONE	SYM	DESCRIPTION	DATE	E.M.N. NO.	APPD



* NOTE;
 UNITS ALWAYS TERMINATED BY SPEAKER OR 4 OHM RESISTOR

CK-617

DDR-6D		
Q'TY./UNIT	MODEL USED ON	ASS'Y. NO.

NOTES

THE CONTENTS OF THIS DRAWING ARE THE EXCLUSIVE PROPERTY OF THE TECHNICAL MATERIEL CORP. ITS UNAUTHORIZED USE OR REPRODUCTION IN WHOLE OR IN PART IS STRICTLY FORBIDDEN.

REQ'D.	ITEM	PART NUMBER	DESCRIPTION	SYMBOL
STRUMER LIST OF MATERIAL				
MATERIAL		THE TECHNICAL MATERIEL CORP. MAMARONECK, NEW YORK		
FINISH		TITLE BLOCK DIAGRAM DDR-6D		
UNLESS OTHERWISE SPECIFIED DIMENSIONS ARE IN INCHES AND INCLUDE CHEMICALLY APPLIED OR PLATED FINISHES		DRAWN <i>N. Peters</i>	DATE 1/5/62	FINAL APPROVAL <i>BP</i>
DECIMALS .X ± .05 .XX ± .01 .XXX ± .005		CHECKED <i>HR</i>	DATE 1-8-63	DATE
TOLERANCES		ELECT. DES. <i>J</i>	DATE	DATE
FRACTIONS ± 1/64 ANGLES ± 0° 30'		MECH. DES.	DATE	DATE
			SHEET	REV. LTR.

CK-617