

CK-614 B

REVISIONS

SYM	DESCRIPTION	DATE	E.M.N. NO.	DRAFT	CHKD	APPD
A	NOTE 2&3 ADD. ON MODEL U/O "2A" ADD.	8.13.64	12126	JB	W.	W.
B	"3/8 AMP" DELE. FR. F101 & F102; P101 VOLT. WAS 115VAC; FUSE NOTES ADD.	3-31-65	13767	02	W.	W.

NOTICE TO PERSONS RECEIVING THIS DRAWING

THE TECHNICAL MATERIEL CORPORATION claims proprietary right in the material disclosed hereon. This drawing is issued in confidence for engineering information only and may not be reproduced or used to manufacture anything shown hereon without permission from THE TECHNICAL MATERIEL CORPORATION to the user. This drawing is loaned for mutual assistance and is subject to recall at any time.

Property of:
THE TECHNICAL MATERIEL CORPORATION
MAMARONECK, NEW YORK

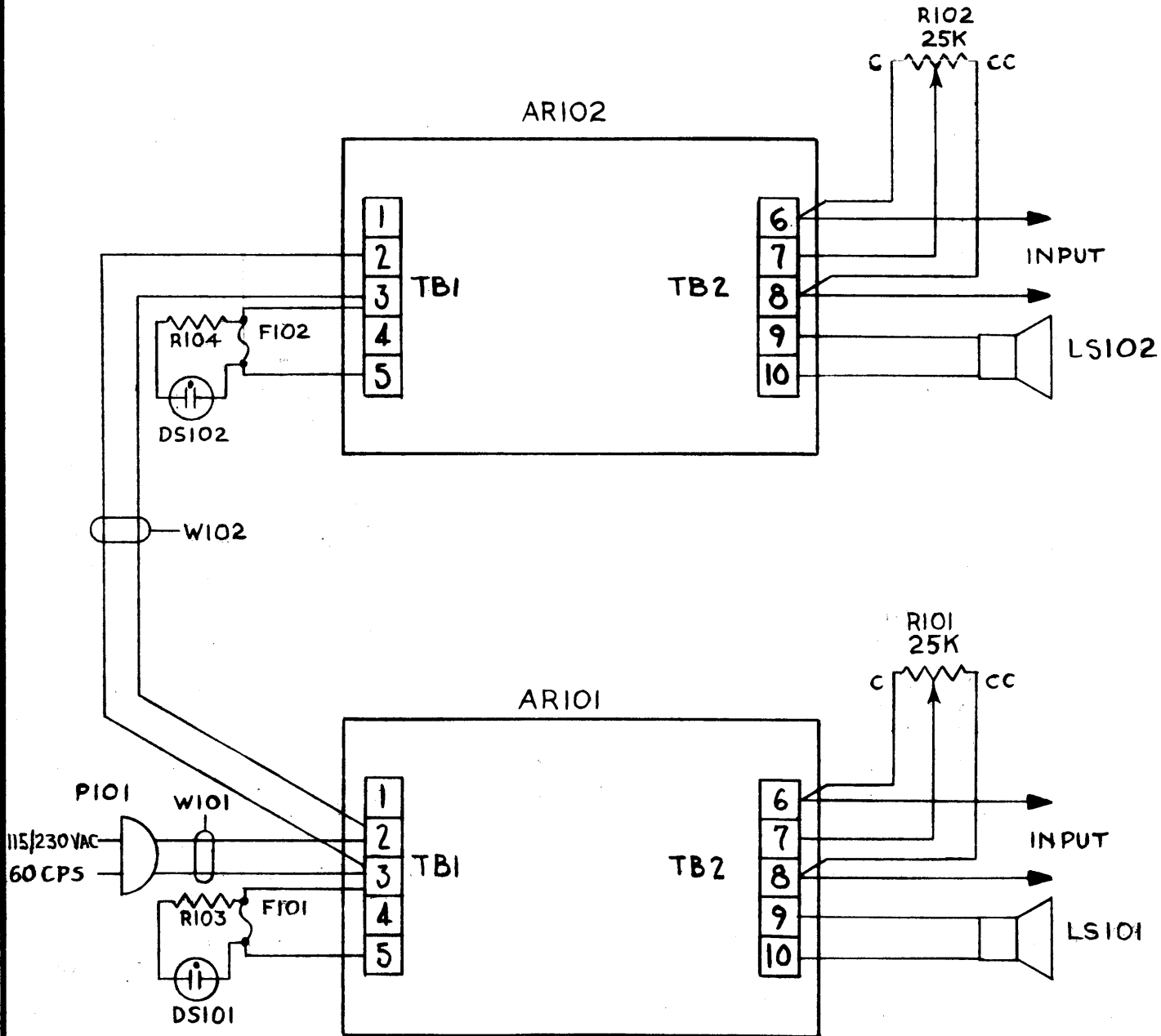
NOTE:

- FOR SCHEMATIC DIAGRAM OF AUDIO AMPLIFIERS (TMC NO. AZ-100) SEE CK-619.
- FOR SCHEMATIC DIAGRAM OF AUDIO AMPLIFIER AZ104 SEE CK 745
- FOR SCHEMATIC DIAGRAM OF AUDIO AMPLIFIER AZ104A SEE CK 779

NOTICE TO PERSONS RECEIVING THIS DRAWING

THE TECHNICAL MATERIEL CORPORATION claims proprietary right in the material disclosed hereon. This drawing is issued in confidence for engineering information only and may not be reproduced or used to manufacture anything shown hereon without permission from THE TECHNICAL MATERIEL CORPORATION to the user. This drawing is loaned for mutual assistance and is subject to recall at any time.

Property of:
THE TECHNICAL MATERIEL CORPORATION
MAMARONECK, NEW YORK



AUDIO AMPLIFIERS
(SEE NOTE 1)

FUSES F101 & F102:
1/4 A FOR 115V OPERATION
1/8 A FOR 230V OPERATION

NOTES

1	BSP-2,2A	
Q'TY./UNIT	MODEL USED ON	ASS'Y. NO.
SCALE	CODE	

THE CONTENTS OF THIS DRAWING ARE THE EXCLUSIVE PROPERTY OF THE TECHNICAL MATERIEL CORP. ITS UNAUTHORIZED USE OR REPRODUCTION IN WHOLE OR IN PART IS STRICTLY FORBIDDEN.

REQ'D.	ITEM	PART NUMBER	DESCRIPTION	SYMBOL
J. STRUMER LIST OF MATERIAL				
MATERIAL		THE TECHNICAL MATERIEL CORP. MAMARONECK, NEW YORK		
FINISH		TITLE SCHEMATIC DIAGRAM		
UNLESS OTHERWISE SPECIFIED DIMENSIONS ARE IN INCHES AND INCLUDE CHEMICALLY APPLIED OR PLATED FINISHES		DRAWN: <i>G. Jensen</i> CHECKED: <i>J.D.</i> ELECT. DES: <i>J.M.A.</i> MECH. DES: <i>J.M.A.</i>	DATE: 12-15-62 DATE: 4-3-63 DATE: 4-3-63 DATE: 4-3-63	FINAL APPROVAL: <i>RP</i> CK-614 SHEET
DECIMALS	TOLERANCES	FRACTIONS	DATE	REV. LTR.
.X ± .05		± 1/64		B
.XX ± .01		ANGLES		
.XXX ± .005		± 0° 30'		