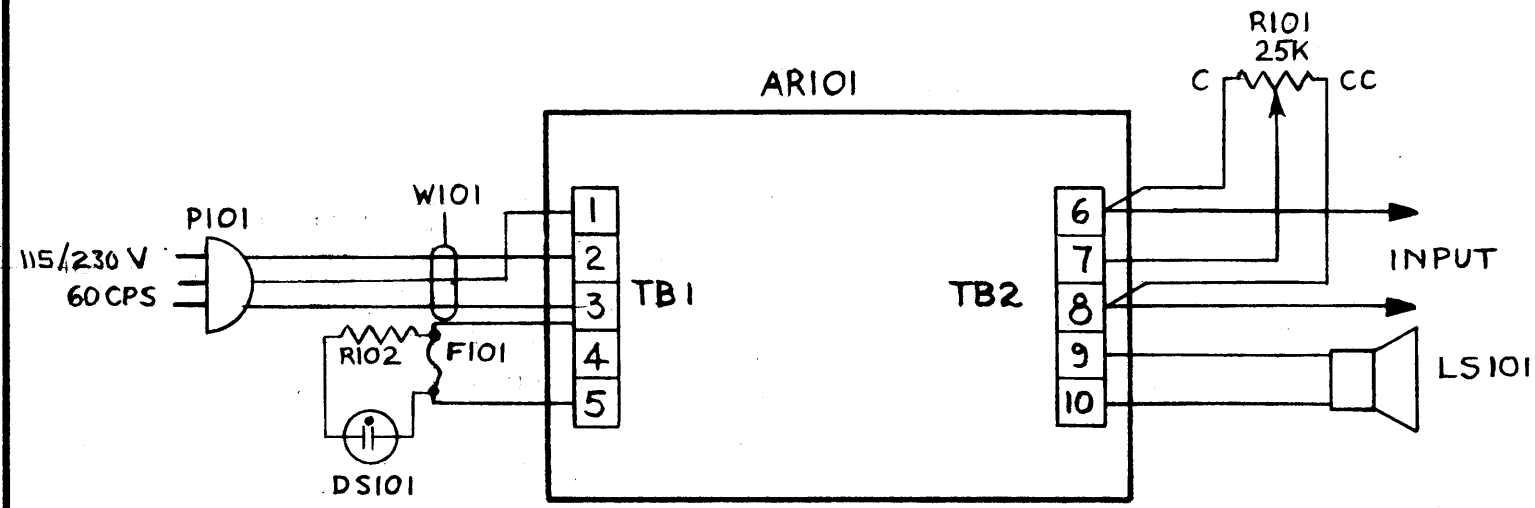


CK-613 B

REVISIONS

SYM	DESCRIPTION	DATE	E.M.N. NO.	DRAFT	CHKD	APPD
A	NOTE 2 & 3 ADD., ON MODEL U/O "1A" ADD. LEAD FROM TB1-1 TO P101 AND	8-13-64	12126	WJB	<i>[Signature]</i>	<i>[Signature]</i>
B	ON P101: 115/230V WAS 115 VAC; "3/8 AMP" DELE. FROM F101; F101 FUSES NOTES ADDED.	3-31-65	13767	JK	<i>[Signature]</i>	<i>[Signature]</i>



- NOTE:
1. FOR SCHEMATIC DIAGRAM OF AUDIO AMPLIFIER (TMC NO. AZ-100) SEE CK-619
 2. FOR SCHEMATIC DIAGRAM OF AUDIO AMPLIFIER AZ104 SEE CK 745
 3. FOR SCHEMATIC DIAGRAM OF AUDIO AMPLIFIER AZ104A SEE CK 779

FUSES F101:
 1/4A FOR 115 V OPERATION
 1/8 A FOR 230 V OPERATION

AUDIO AMPLIFIER
 (SEE NOTE 1)

NOTICE TO PERSONS RECEIVING THIS DRAWING

THE TECHNICAL MATERIEL CORPORATION claims proprietary right in the material disclosed herein. This drawing is issued in confidence for engineering information only and may not be reproduced or used to manufacture anything shown herein without permission from THE TECHNICAL MATERIEL CORPORATION to the user. This drawing is loaned for mutual assistance and is subject to recall at any time.

Property of:
 THE TECHNICAL MATERIEL CORPORATION
 MAMARONECK, NEW YORK

NOTES

1	BSP-1,1A	
Q'TY./UNIT	MODEL USED ON	ASS'Y. NO.
SCALE	CODE	

THE CONTENTS OF THIS DRAWING ARE THE EXCLUSIVE PROPERTY OF THE TECHNICAL MATERIEL CORP. ITS UNAUTHORIZED USE OR REPRODUCTION IN WHOLE OR IN PART IS STRICTLY FORBIDDEN.

REQ'D.	ITEM	PART NUMBER	DESCRIPTION	SYMBOL
J. STRUMER LIST OF MATERIAL				
MATERIAL		THE TECHNICAL MATERIEL CORP. MAMARONECK, NEW YORK		
FINISH		TITLE SCHEMATIC DIAGRAM		
UNLESS OTHERWISE SPECIFIED DIMENSIONS ARE IN INCHES AND INCLUDE CHEMICALLY APPLIED OR PLATED FINISHES		DRAWN <i>[Signature]</i>	DATE 12-17-62	FINAL APPROVAL <i>[Signature]</i>
		CHECKED <i>[Signature]</i>	DATE 4-3-63	
		ELECT. <i>[Signature]</i>	DATE 4-3-63	CK-613
		MECH. <i>[Signature]</i>	DATE 4-3-63	B
				REV. LTR.