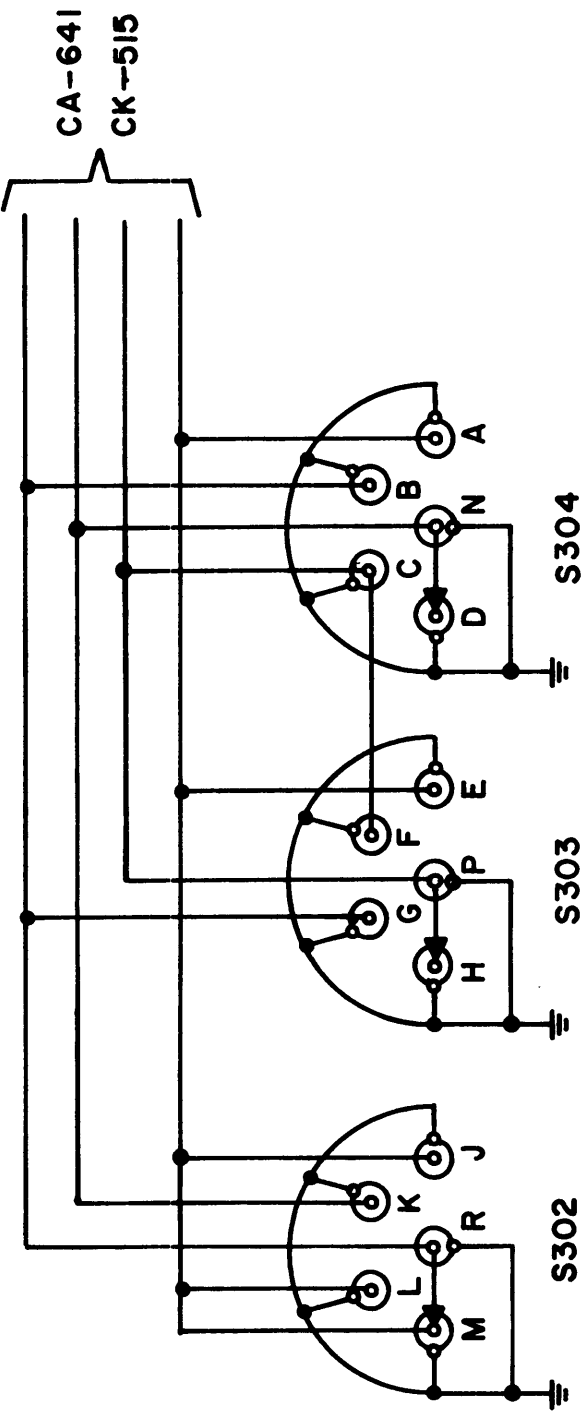
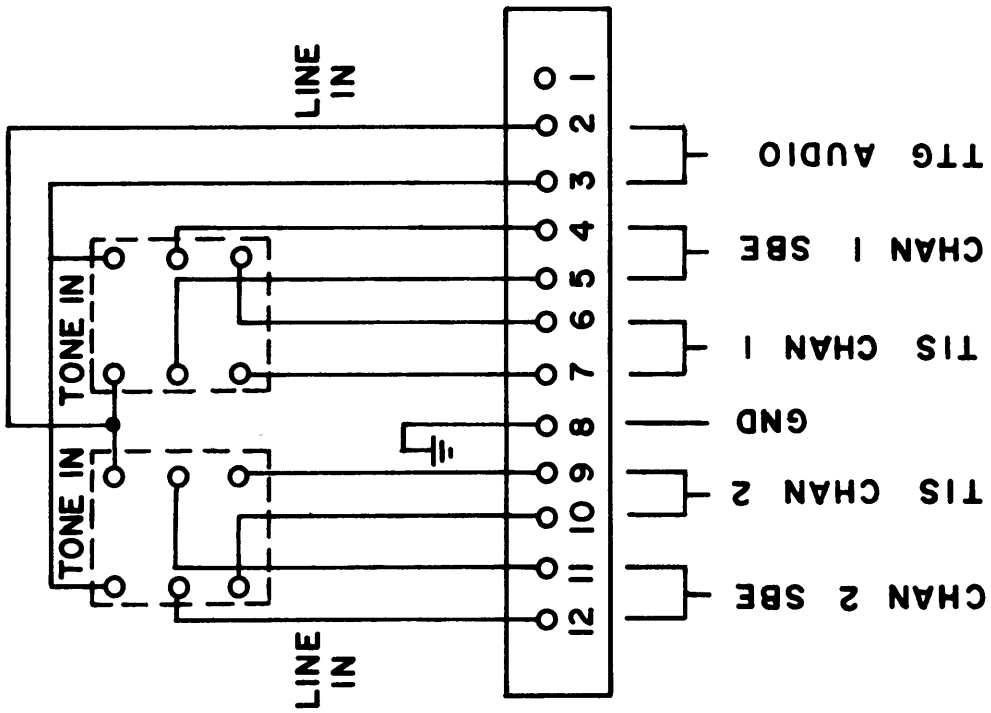


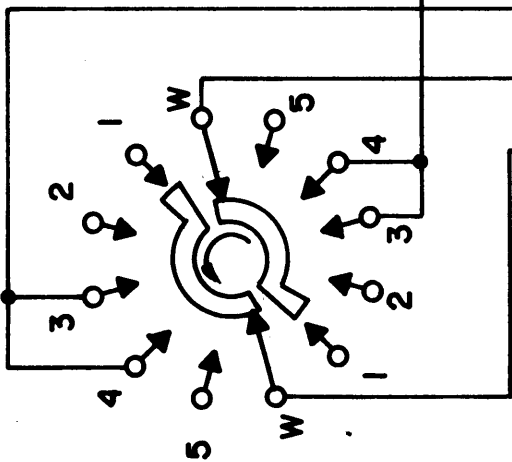
CK-514

S300 S301  
CHANNEL 2 CHANNEL 1

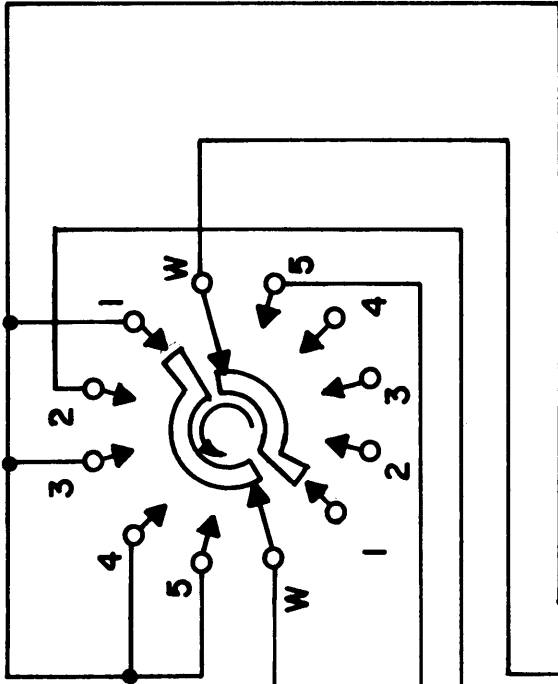


CA-641  
CK-515

FRONT SECTION



REAR SECTION



S305

E301

KEY LINE INPUT  
KEY LINE  
TIS  
FAX IN  
SBE KEY LINE  
KEY SBE  
FAX TIS  
GND

POSITION	FUNCTION
1	SBE, SSB
2	SBE, CW
3	TIS, CW
4	TIS, RTTY
5	TIS, FAX

NOTICE TO PERSONS RECEIVING THIS DRAWING

THE TECHNICAL MATERIEL CORPORATION claims proprietary right in the material disclosed hereon. This drawing is issued in confidence for engineering information only and may not be reproduced or used to manufacture anything shown hereon without permission from THE TECHNICAL MATERIEL CORPORATION to the user. This drawing is loaned for mutual assistance and is subject to recall at any time.

Property of:

THE TECHNICAL MATERIEL CORPORATION  
MAMARONECK, NEW YORK

SYM	DESCRIPTION	DATE	CH. NO.	DRAFTS	CHECKER	ENG. APP.
	UNLESS OTHERWISE SPECIFIED: DIMENSIONS ARE IN INCHES TOLERANCES ON FRACTIONS $\pm 1/64$ DECIMALS $\pm .005$ ANGLES $\pm 1/20$					
	SCALE: MAXIMUM ALLOWABLE TOLERANCES HAVE BEEN DETERMINED AND ANY DEVIATIONS WILL BE CAUSE FOR REJECTION. REMOVE ALL BURRS AND SHARP EDGES					

REQ. PER UNIT	MODEL	SECTION	ASSY. NO.	DATE
1	MCP-3	P/O GPT-10K-W		9-1-61

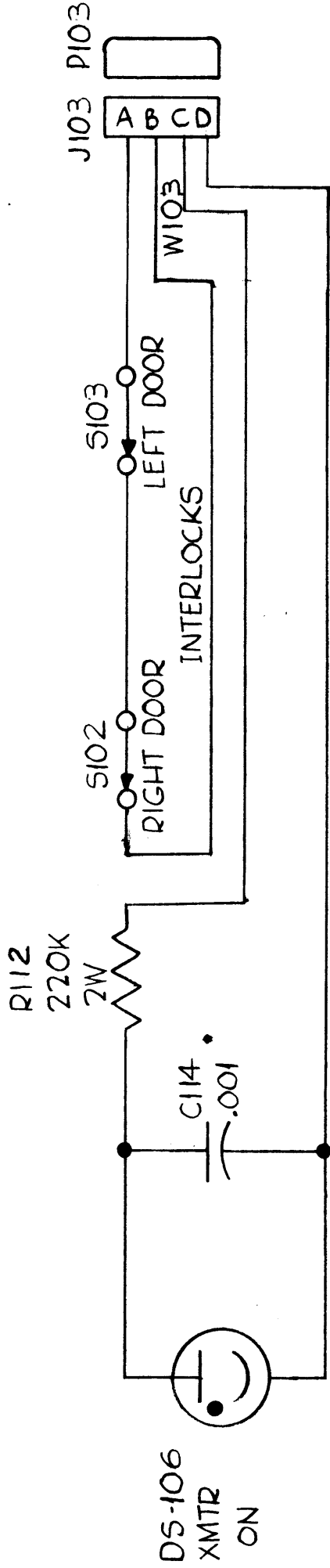
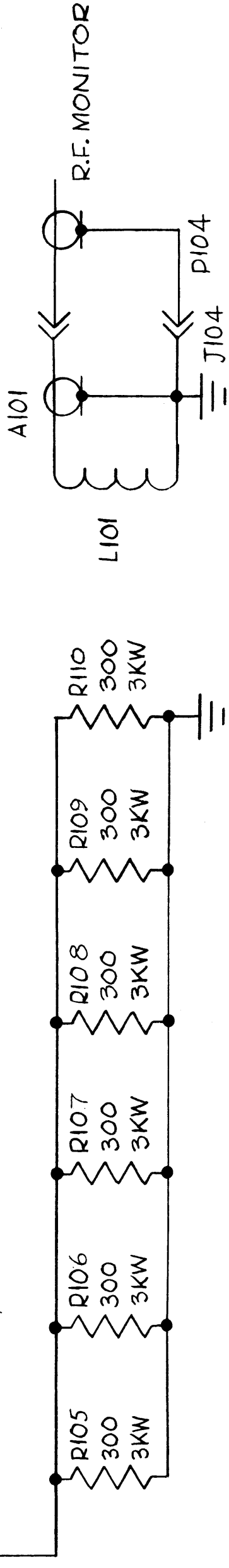
REQ. ITEM	PART NO.	DESCRIPTION	SYMBOL
		THE TECHNICAL MATERIEL CORP. MAMARONECK, NEW YORK	
		<b>SCHEMATIC DIAGRAM</b>	
		MODEL MCP-3	
		DRAWN <i>wh</i>	
		CHECKER <i>ab</i>	
		TYPE & TEMPER	
		HEAT TREAT. SPEC.	
		FINISH & SPEC. NO.	
		ELEC. DES. APP. MECH. DES. APP.	
		CK-514	
		FINAL APPROVAL	

THE CONTENTS OF THIS DRAWING ARE THE EXCLUSIVE PROPERTY OF THE TECHNICAL MATERIEL CORP. ITS UNAUTHORIZED USE OR REPRODUCTION IN WHOLE OR IN PART IS STRICTLY FORBIDDEN.

A

CK-547

OUTPUT



UNLESS OTHERWISE SPECIFIED

1. ALL RESISTORS ARE IN OHMS K=1000
2. ALL CAPACITORS ARE IN MICRO-FARADS
3. ALL COILS ARE IN MILLI-HENRIES

LAST SYMBOLS	MISSING
A101	
C114	C101 THRU C113
DS 106	DS101 THRU DS105
J104	J101, J102
L101	
P104	P101, P102
R112	R101 THRU R104, R111
S103	S101
W103	W101, W102

SYM	DESCRIPTION	DATE	CH. NO.	DRAFTS	CHECKER	ENG. APP.
A	SYMBOLS REVISED	2-20-67	6267	G.S.	[Signature]	[Signature]

SCALE: A

UNLESS OTHERWISE SPECIFIED:  
 DIMENSIONS ARE IN INCHES  
 TOLERANCES ON  
 FRACTIONS ± 1/64 DECIMALS ± .005 ANGLES ± 1/2°

REQ. PER UNIT	MODEL	SECTION	ASSY. NO.	DATE
1	TER-18K-A50			12-26-61

USED ON

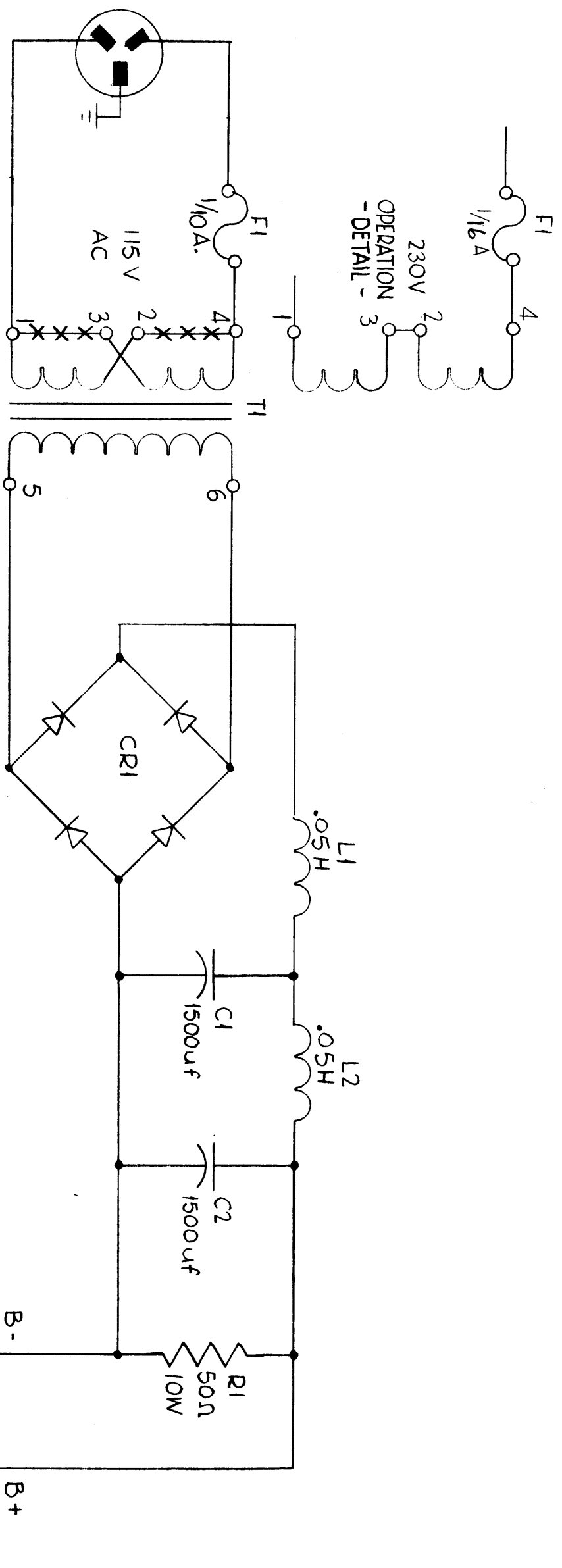
REQ. ITEM	PART NO.	DESCRIPTION	SYMBOL
		THE TECHNICAL MATERIEL CORP. MAMARONECK, NEW YORK	
		DIAGRAM, SCHEMATIC	
		DRAWN [Signature]	EFM
		CHECKED [Signature]	FINAL APPROVAL
		ELEC. DES. APP. MECH. DES. APP.	CK-547
		FINISH & SPEC. NO.	A



THE CONTENTS OF THIS DRAWING ARE THE EXCLUSIVE PROPERTY OF THE TECHNICAL MATERIEL CORP. ITS UNAUTHORIZED USE OR REPRODUCTION IN WHOLE OR IN PART IS STRICTLY FORBIDDEN.

CK-562

B



FOR 230V OPERATION  
REMOVE JUMPERS MARKED  
X-X-X, AND CLARIFY.  
TERMINALS 2, 3 AS SHOWN  
ON DETAIL, F1 WILL BE 1/16 AMPS.

NOTICE TO PERSONS RECEIVING THIS DRAWING  
THE TECHNICAL MATERIEL CORPORATION claims  
proprietary right in the material disclosed herein.  
This drawing is issued in confidence for engineering  
information only and may not be reproduced or used  
to manufacture anything shown herein without per-  
mission from THE TECHNICAL MATERIEL CORPORA-  
TION to the user. This drawing is loaned for mutual  
assistance and is subject to recall at any time.

Property of:  
THE TECHNICAL MATERIEL CORPORATION  
MAMARONECK, NEW YORK

SYM	DESCRIPTION	DATE	CH. NO.	DRAWN	CHECKER	ENG. APP.
A	1/16 A WAS 1/20 A; .05 H WAS 5 H	2-21-62	4402	G.S.	[Signature]	[Signature]
B	(P1) 3 COND WAS 2 COND	1/16/69	19197	GE	[Signature]	[Signature]

UNLESS OTHERWISE SPECIFIED:  
DIMENSIONS ARE IN INCHES  
TOLERANCES ON  
FRACTIONS ± 1/64 DECIMALS ± .008 ANGLES ± 1/20

SCALE: 1/16  
MAXIMUM ALLOWABLE TOLERANCES HAVE  
BEEN DETERMINED AND ANY DEVIATIONS  
WILL BE CAUSE FOR REJECTION.  
REMOVE ALL BURNS AND SHARP EDGES

REQ. PER UNIT	MODEL	SECTION	ASSY. NO.	DATE
1	GPT-10K0AC			1-18-62

REQ. ITEM	PART NO.	DESCRIPTION	SYMBOL
		THE TECHNICAL MATERIEL CORP. MAMARONECK, NEW YORK	
		DIAGRAM, SCHEMATIC, BATTERY SUPPLY	
		MATERIAL	
		TYPE & TEMPER	
		HEAT TREAT. SPEC.	
		DRAWN	CHECKED
		[Signature]	[Signature]
		FINISH & SPEC. NO.	FINAL APPROVAL
		[Signature]	[Signature]
		ELEC. DES. APP.	MECH. DES. APP.
		[Signature]	[Signature]



REVISIONS

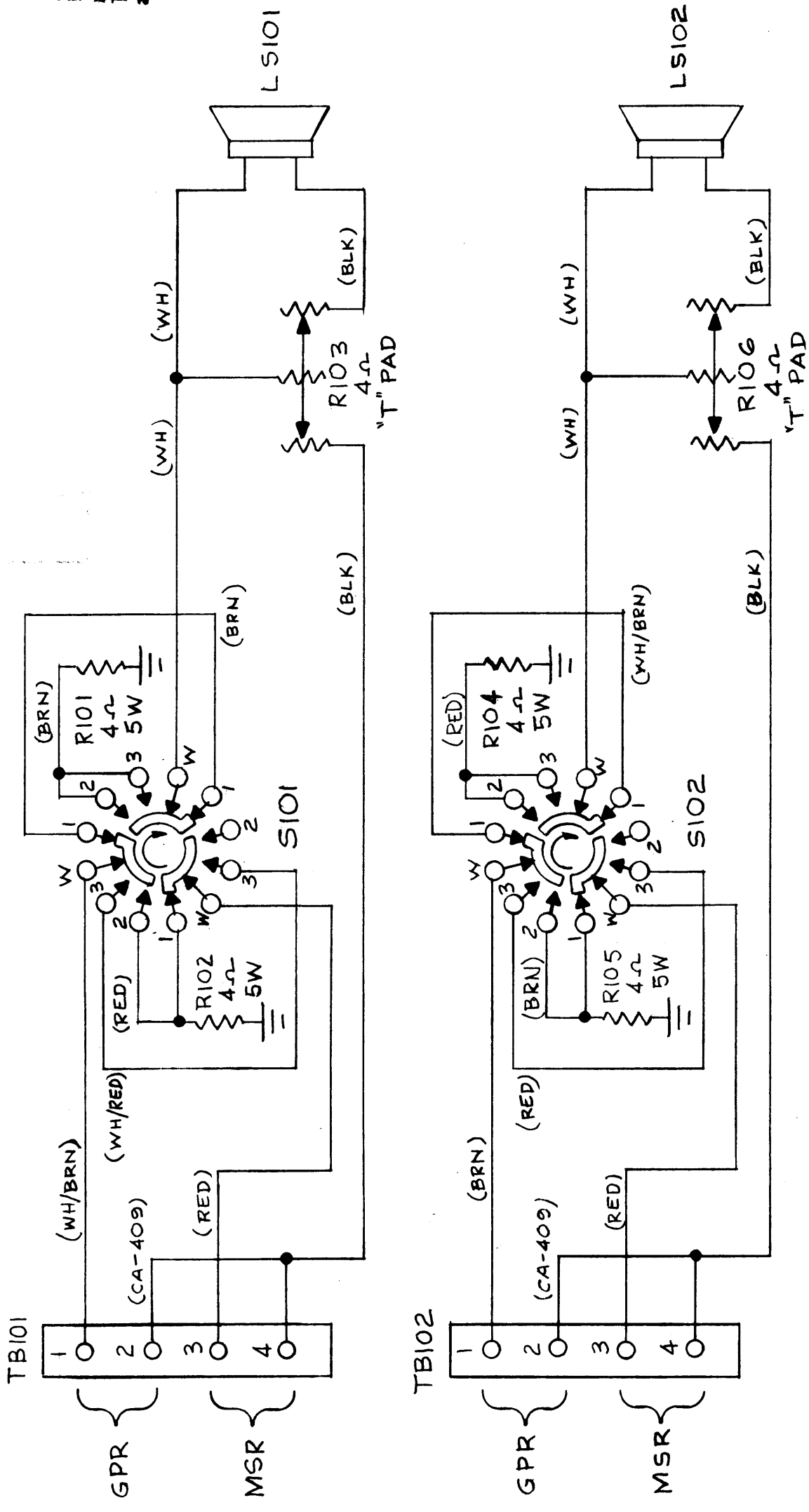
SYM	DESCRIPTION	DATE	E.M.N. NO.	DRAFT	CHKD	APPD
A	SYM. NO. R101 & R102 REVERSED; SYM. NO. R104 & R105 REVERSED ON TB101 & TB102 COLORS CLARIFIED	12-18-61	7884			

AUDIO SWITCHING	
POS	DESCRIPTION
1	RECEIVER
2	OFF
3	CONVERTER

NOTICE TO PERSONS RECEIVING THIS DRAWING

THE TECHNICAL MATERIEL CORPORATION claims proprietary right in the material disclosed hereon. This drawing is issued in confidence for engineering information only and may not be reproduced or used to manufacture anything shown hereon without permission from THE TECHNICAL MATERIEL CORPORATION to the user. This drawing is loaned for mutual assistance and is subject to recall at any time.

Property of:  
THE TECHNICAL MATERIEL CORPORATION  
MAMARONECK, NEW YORK



LSP-9

NOTES

THE CONTENTS OF THIS DRAWING ARE THE EXCLUSIVE PROPERTY OF THE TECHNICAL MATERIEL CORP. ITS UNAUTHORIZED USE OR REPRODUCTION IN WHOLE OR IN PART IS STRICTLY FORBIDDEN.

REQ'D.	ITEM	PART NUMBER	DESCRIPTION	SYMBOL
S. DEMARCO				
LIST OF MATERIAL				
THE TECHNICAL MATERIEL CORP. MAMARONECK, NEW YORK				
DIAGRAM, SCHEMATIC				
DRAWN W.S.		DATE 8-25/62	FINAL APPROVAL BP	DATE
CHECKED		DATE		
ELECT. DES.		DATE		
MECH. DES.		DATE		
CK-599			SHEET	REV. LTR. A