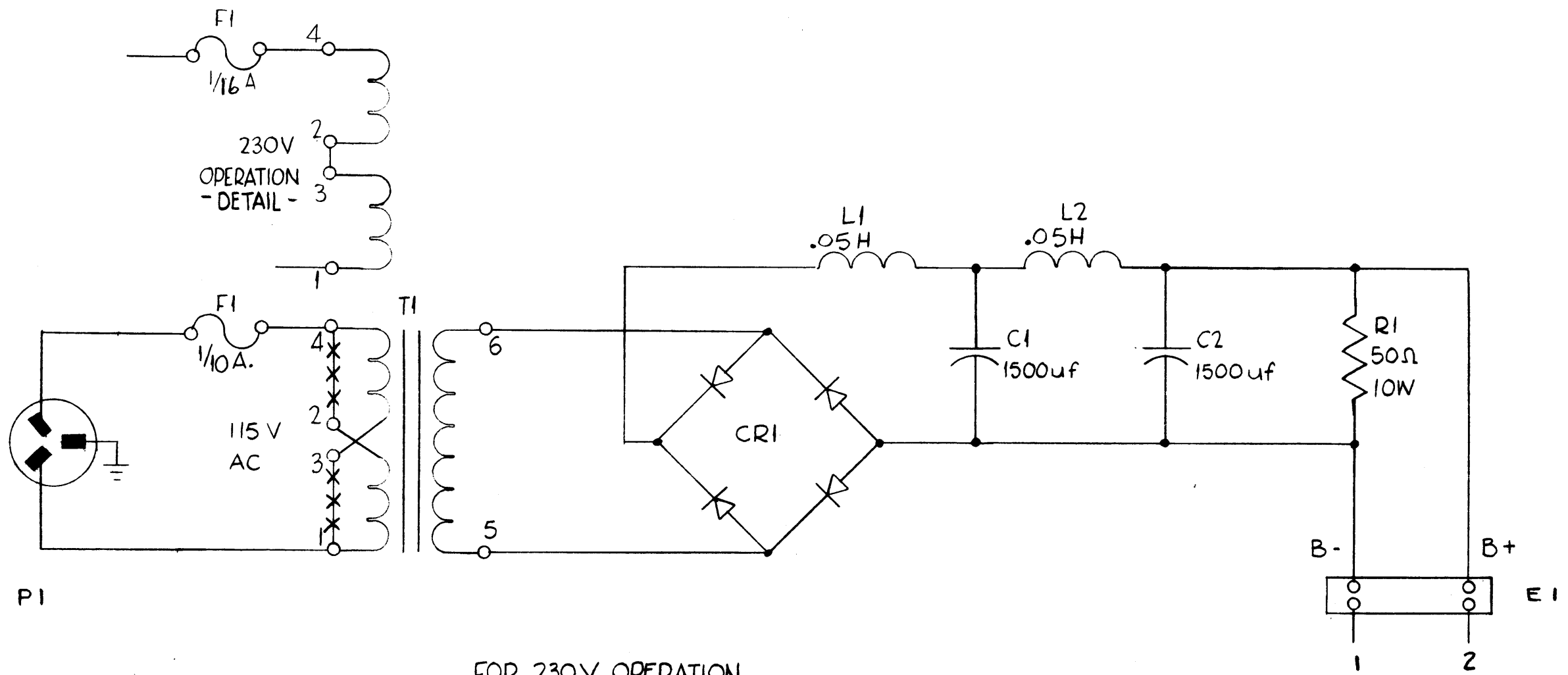


CK-562 B

THE CONTENTS OF THIS DRAWING ARE THE EXCLUSIVE PROPERTY OF THE TECHNICAL MATERIEL CORP. ITS UNAUTHORIZED USE OR REPRODUCTION IN WHOLE OR IN PART IS STRICTLY FORBIDDEN.



FOR 230V OPERATION REMOVE JUMPERS MARKED \*X\*, AND CLARIFY. TERMINALS 2,3 AS SHOWN ON DETAIL, F1 WILL BE 1/16 AMPS.

NOTICE TO PERSONS RECEIVING THIS DRAWING

THE TECHNICAL MATERIEL CORPORATION claims proprietary right in the material disclosed hereon. This drawing is issued in confidence for engineering information only and may not be reproduced or used to manufacture anything shown hereon without permission from THE TECHNICAL MATERIEL CORPORATION to the user. This drawing is loaned for mutual assistance and is subject to recall at any time.

Property of:  
THE TECHNICAL MATERIEL CORPORATION  
MAMARONECK, NEW YORK

SYM	DESCRIPTION	DATE	CH. NO.	DRAFTS	CHECKER	ENG. APP.
B	(PI) 3 COND WAS 2 COND	1-16-69	19197	GE	J.D.	FB
A	1/16A WAS 1/20A; .05H WAS 5H	2-21-62	4402	G.S.	<del>...</del>	<del>...</del>

UNLESS OTHERWISE SPECIFIED:  
DIMENSIONS ARE IN INCHES  
TOLERANCES ON FRACTIONS ± 1/64 DECIMALS ± .005 ANGLES ± 1/2°  
SCALE: 1/16  
MAXIMUM ALLOWABLE TOLERANCES HAVE BEEN DETERMINED AND ANY DEVIATIONS WILL BE CAUSE FOR REJECTION.  
REMOVE ALL BURRS AND SHARP EDGES

REQ. PER UNIT	1	GPT-10K(JAC)	SECTION	ASS'Y. NO.	DATE
USED ON					

REQ. ITEM	PART NO.	DESCRIPTION	SYMBOL
		THE TECHNICAL MATERIEL CORP. MAMARONECK, NEW YORK	
		DIAGRAM, SCHEMATIC, BATTERY SUPPLY	
		DRAWN: <i>D. J. Mar</i>	CHECKED: <i>RUZZO</i>
		FINAL APPROVAL: <i>SAM</i>	
		ELEC. DES. APP. <i>[Signature]</i>	MECH. DES. APP. <i>[Signature]</i>
		CK-562	B