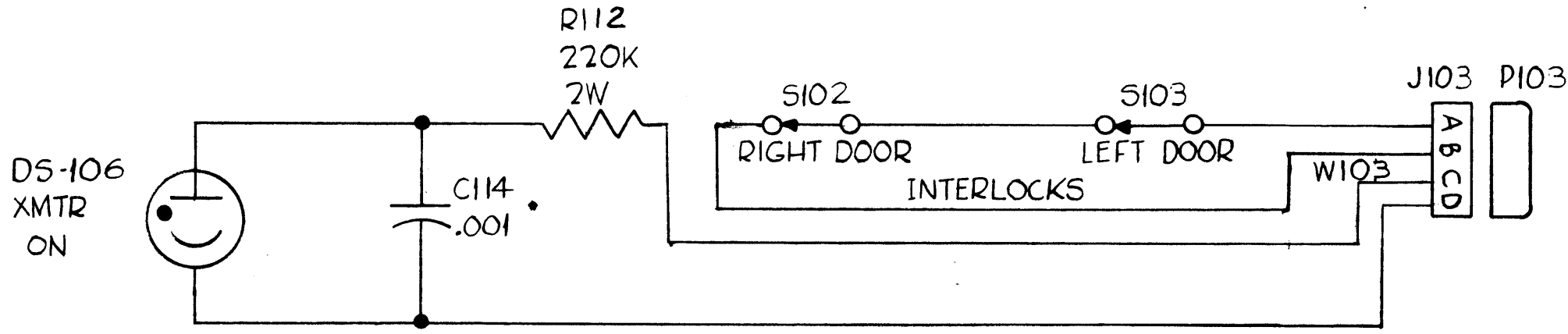
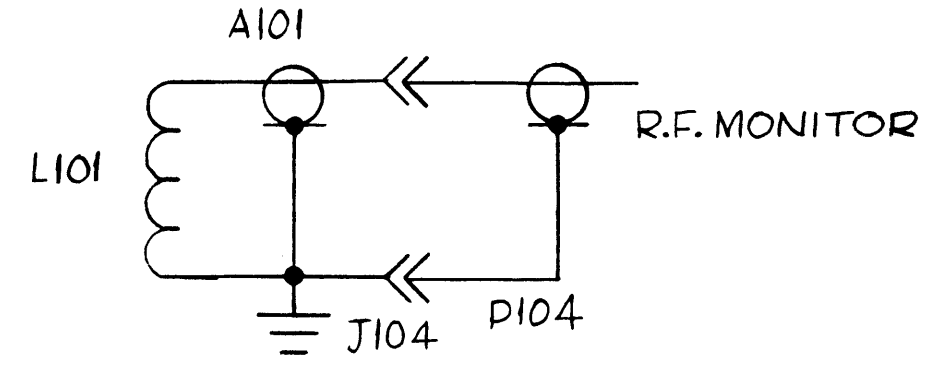
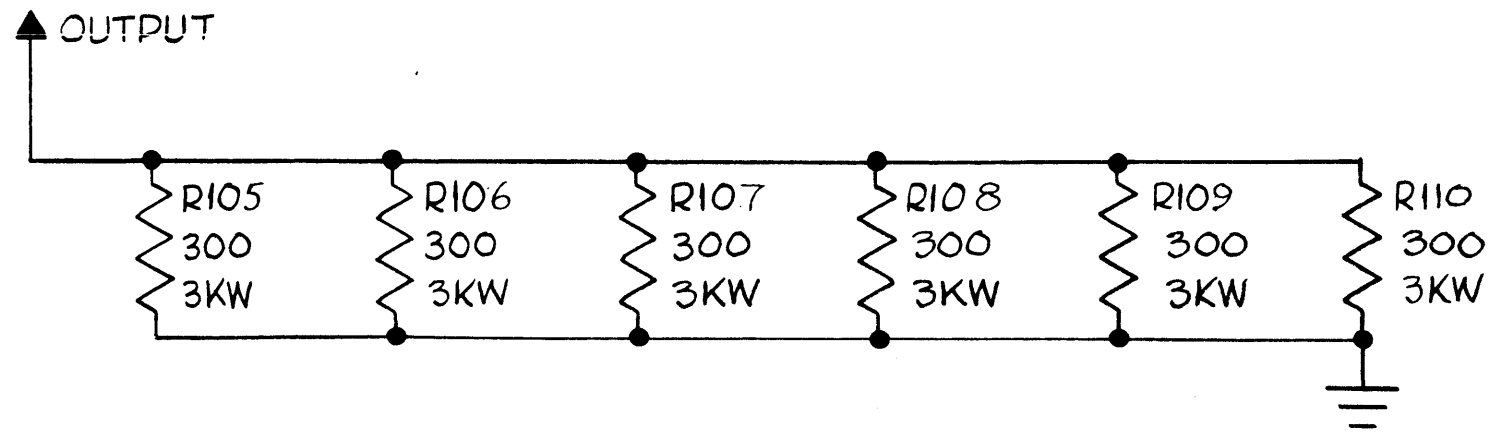


CK-547 A

THE CONTENTS OF THIS DRAWING ARE THE EXCLUSIVE PROPERTY OF THE TECHNICAL MATERIEL CORP. ITS UNAUTHORIZED USE OR REPRODUCTION IN WHOLE OR IN PART IS STRICTLY FORBIDDEN.



UNLESS OTHERWISE SPECIFIED

1. ALL RESISTORS ARE IN OHMS K=1000
2. ALL CAPACITORS ARE IN MICRO-FARADS
3. ALL COILS ARE IN MILLI-HENRIES

| LAST SYMBOLS | MISSING |
|--------------|----------------------|
| A101 | |
| C114 | C101 THRU C113 |
| DS 106 | DS101 THRU DS105 |
| J104 | J101, J102 |
| L 101 | |
| P 104 | P101, P102 |
| R112 | R101 THRU R104, R111 |
| S103 | S101 |
| W103 | W101, W102 |

| SYM | DESCRIPTION | DATE | CH. NO. | DRAFTS | CHECKER | ENG. APP. |
|-----|-----------------|---------|---------|--------|--------------------|--------------------|
| A | SYMBOLS REVISED | 2-20-62 | 6267 | G.S. | <i>[Signature]</i> | <i>[Signature]</i> |

UNLESS OTHERWISE SPECIFIED:
 DIMENSIONS ARE IN INCHES
 TOLERANCES ON FRACTIONS ± 1/64 DECIMALS ± .005 ANGLES ± 1/2°

SCALE:
 MAXIMUM ALLOWABLE TOLERANCES HAVE BEEN DETERMINED AND ANY DEVIATIONS WILL BE CAUSE FOR REJECTION.
 REMOVE ALL BURRS AND SHARP EDGES

| REQ. PER UNIT | MODEL | SECTION | ASS'Y. NO. | DATE |
|---------------|-------------|---------|------------|---------|
| | TER-18K-A50 | | | 2-26-61 |

| REQ. ITEM | PART NO. | DESCRIPTION | SYMBOL |
|--|----------|----------------------------|-----------------------------------|
| THE TECHNICAL MATERIEL CORP. MAMARONECK, NEW YORK | | | |
| DIAGRAM, SCHEMATIC | | | |
| TYPE & TEMPER | | HEAT TREAT. SPEC. | FINISH & SPEC. NO. |
| DRAWN <i>[Signature]</i> | | CHECKED <i>[Signature]</i> | FINAL APPROVAL <i>[Signature]</i> |
| | | CK-547 A | |