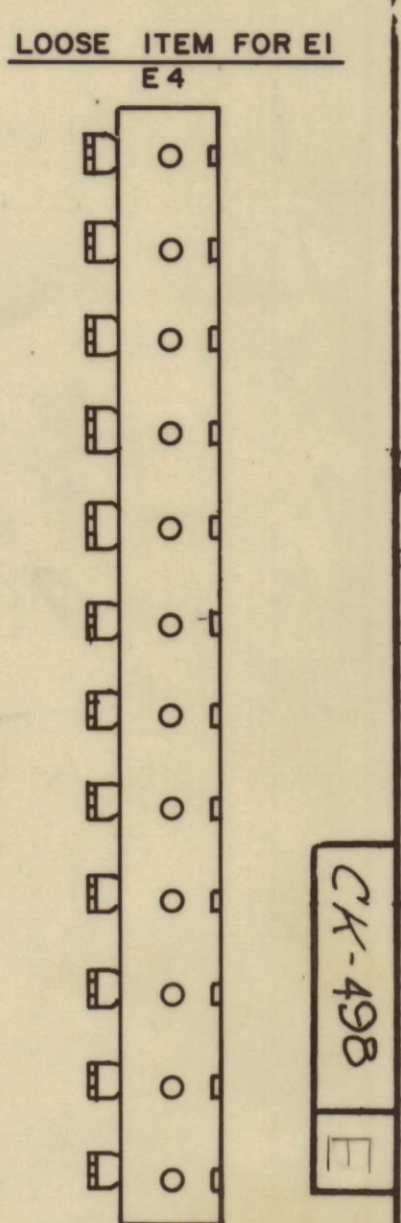
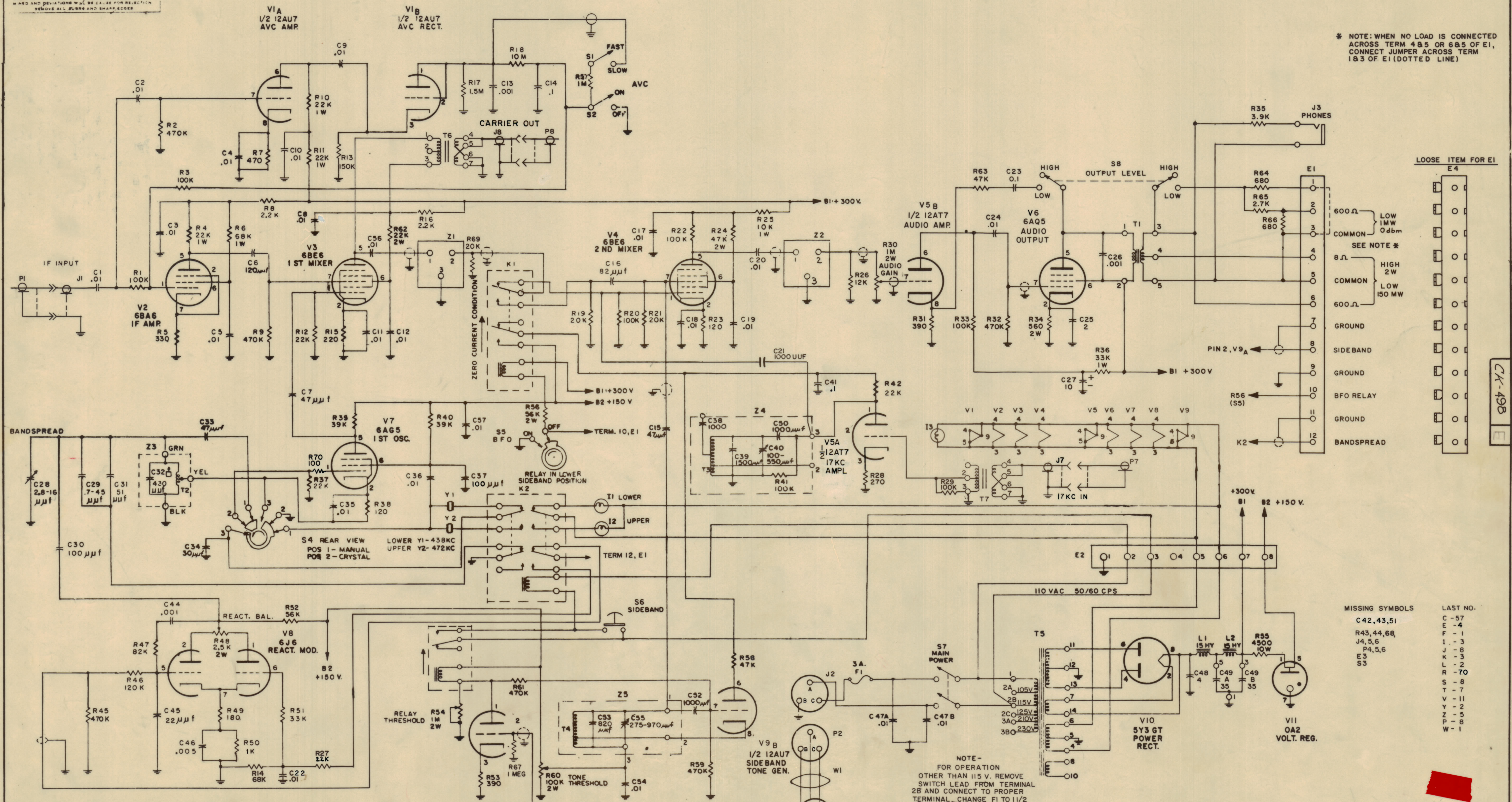


IF IT IS FOUND NECESSARY TO CHANGE ANY OF THE DIMENSIONS OR OTHER DETAIL SPECIFIED ON THIS DRAWING NOTIFY THE PURCHASER BY MAIL.
 MAXIMUM ALLOWABLE TOLERANCES HAVE BEEN SET.
 ALL DIMENSIONS UNLESS OTHERWISE SPECIFIED ARE IN INCHES.
 REMOVE ALL BURRS AND SHARP EDGES.

* NOTE: WHEN NO LOAD IS CONNECTED ACROSS TERM 4 & 5 OR 6 & 5 OF E1, CONNECT JUMPER ACROSS TERM 1 & 3 OF E1 (DOTTED LINE)



- MISSING SYMBOLS LAST NO.
- C 42, 43, 51 C-57
 - E -4 E-4
 - R 43, 44, 68 F-1
 - J 4, 5, 6 J-8
 - P 4, 5, 6 J-8
 - E 3 K-3
 - S 3 L-2
 - R -70 R-70
 - S -8 S-8
 - T -7 T-7
 - V -11 V-11
 - Y -2 Y-2
 - Z -5 Z-5
 - P -8 P-8
 - W -1 W-1

NOTE - FOR OPERATION OTHER THAN 115 V. REMOVE SWITCH LEAD FROM TERMINAL 2B AND CONNECT TO PROPER TERMINAL. CHANGE F1 TO 1 1/2 AMPS. WHEN USING 210V OR 230V.

NOTE: UNLESS OTHERWISE NOTED, CAPACITORS ARE IN μfd. UNLESS OTHERWISE NOTED, RESISTORS ARE 1/2 WATT

REV	ITEM	CHANGED FROM	DATE	EN. NO.	DRAWN	CHECKED	ENG. APP.
E	1	ON J1K V2: B WAS C, C WAS D.	3-9-65	13742	BE		
D	2	ON LAST SYM. R TO WINS R 68	9-21-64	12384	WBS		
C	1	C37 WAS 150μF; R10 ADDED	8-22-62	7067	GR		
B	1	ON SYM. R50, 1K WAS K					
B	2	C28 WAS 221					
B	3	CHANGED C41 FROM .01 TO .1	8/11/61	5427	WBS		
B	4	SYMS - C41, C27 DEL. C41 ADDED					
B	5	V5A 1/2 12AT7 ADDED TO 17KC AMPL.					
B	6	17KC IN ADDED TO J7					
B	7	CARRIER OUT ADDED TO J8					
A	2	17KC AMPL. WAS V5A	5-20-60	2917	WBS		
A	1	R27 WAS 68K					

NOTICE TO PERSONS RECEIVING THIS DRAWING
 THE TECHNICAL MATERIEL CORPORATION claims proprietary right in the material disclosed herein. This drawing is issued in confidence for engineering information only and may not be reproduced or used to manufacture anything shown herein without permission from THE TECHNICAL MATERIEL CORPORATION to the user. This drawing is loaned for mutual assistance and is subject to recall at any time.

Property of:
 THE TECHNICAL MATERIEL CORPORATION
 MAMARONECK, NEW YORK

MSR-6B	PROJECT NO.	8-3-60
DATE	8-3-60	

REV	ITEM	PART NO.	DESCRIPTION	SYMBOL
			THE TECHNICAL MATERIEL CORP.	
			MAMARONECK, NEW YORK	
			SCHEMATIC DIAGRAM	
			MSR-6B	
			DATE	
			CHECKED	
			FINISH & SPEC. NO.	

CK-498