

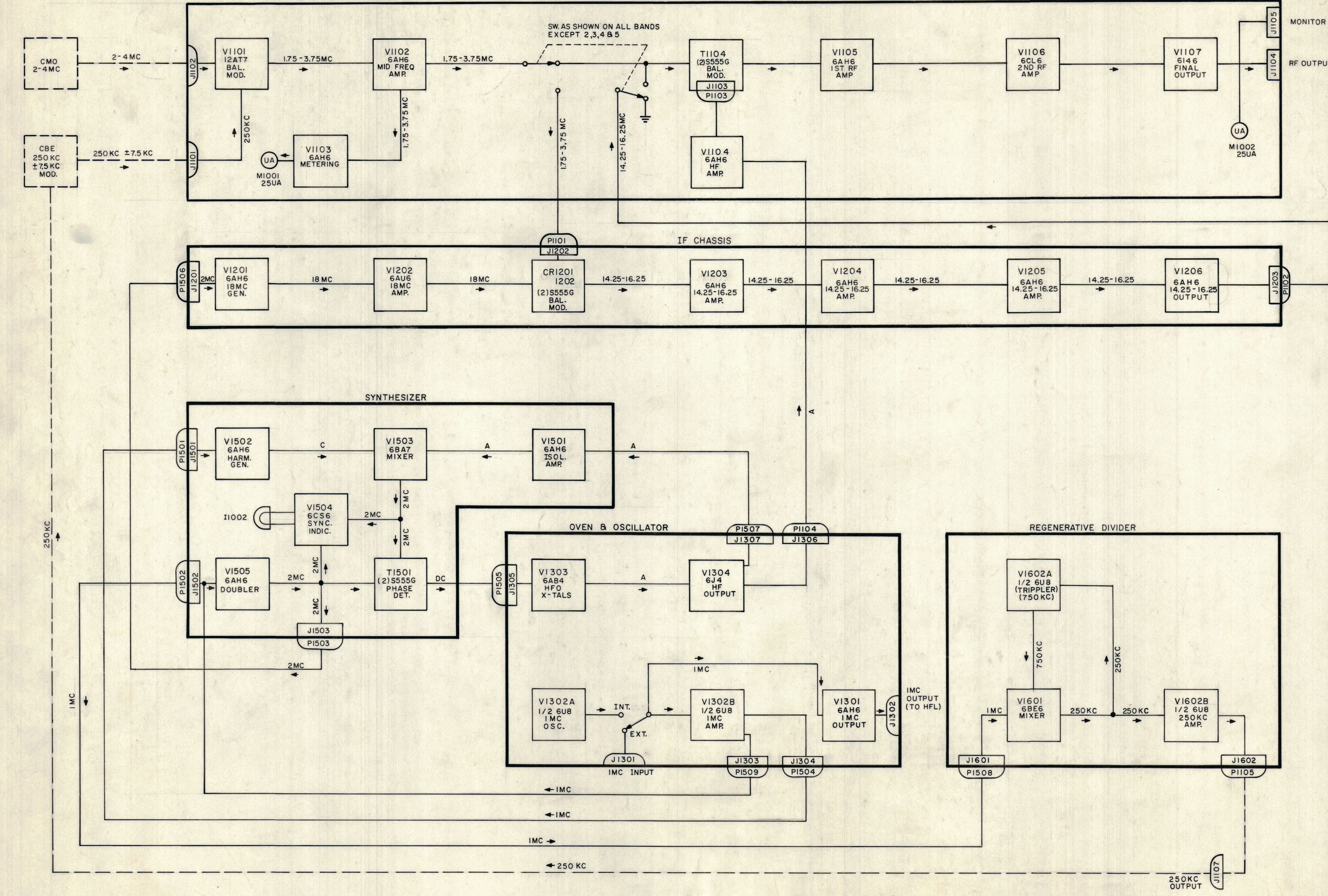
MID FREQUENCY & RF DECK

IF CHASSIS

SYNTHESIZER

OVEN & OSCILLATOR

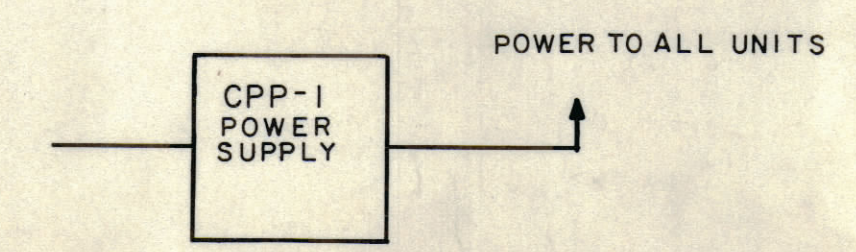
REGENERATIVE DIVIDER



A	B	C	RF OUTPUT	BAND
X-TAL	H F	HARMONIC	FREQUENCY	NO.
OSC. FREQ	AMP	GENERATOR	MC.	
MC.	MC.	MC.		
10	20	8	1.75 - 3.75	1
10	20	8	3.75 - 5.75	2
11	22	9	5.75 - 7.75	3
12	24	10	7.75 - 9.75	4
13	26	11	9.75 - 11.75	5
10	10	8	11.75 - 13.75	6
12	12	10	13.75 - 15.75	7
14	14	12	15.75 - 17.75	8
8	16	6	17.75 - 19.75	9
9	18	7	19.75 - 21.75	10
10	20	8	21.75 - 23.75	11
11	22	9	23.75 - 25.75	12
12	24	10	25.75 - 27.75	13
13	26	11	27.75 - 29.75	14
14	28	12	29.75 - 31.75	15
15	30	13	31.75 - 33.75	16
S1402	S1102	S1501	S1101A S1101B	

CK-482

SYM	ZONE	DESCRIPTION	DATE	CH. NO.	DRAFTS	CHECKER	ENG. APP.
UNLESS OTHERWISE SPECIFIED:							
DIMENSIONS ARE IN INCHES			SCALE				
TOLERANCES ON FRACTIONS ± 1/64			MAXIMUM ALLOWABLE TOLERANCES HAVE BEEN DETERMINED AND ANY DEVIATIONS WILL BE CAUSE FOR REJECTION. REMOVE ALL BURRS & SHARP EDGES				
DECIMALS ± .005			ANGLES ± 1/2°				



REQ. ITEM	PART NO.	DESCRIPTION	SYMBOL
THE TECHNICAL MATERIEL CORP. MAMARONECK, NEW YORK			
BLOCK DIAGRAM CHG-1			
DRAWN R. UZZO		FINAL APPROVAL	
CHECKED		ELEC. DES. APP.	
MECH. DES. APP.		SHEET CK-482	
DEFIANCE NO. 1020 34902			

REQ. PER UNIT	MODEL	SECTION	ASS'Y. NO.	DATE
	CHG-1			2-13-61