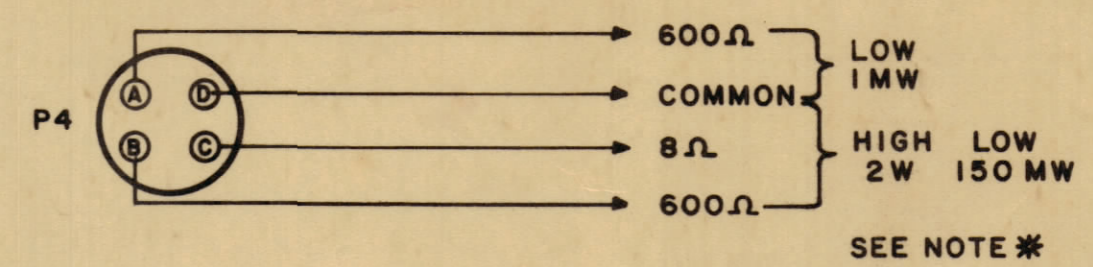
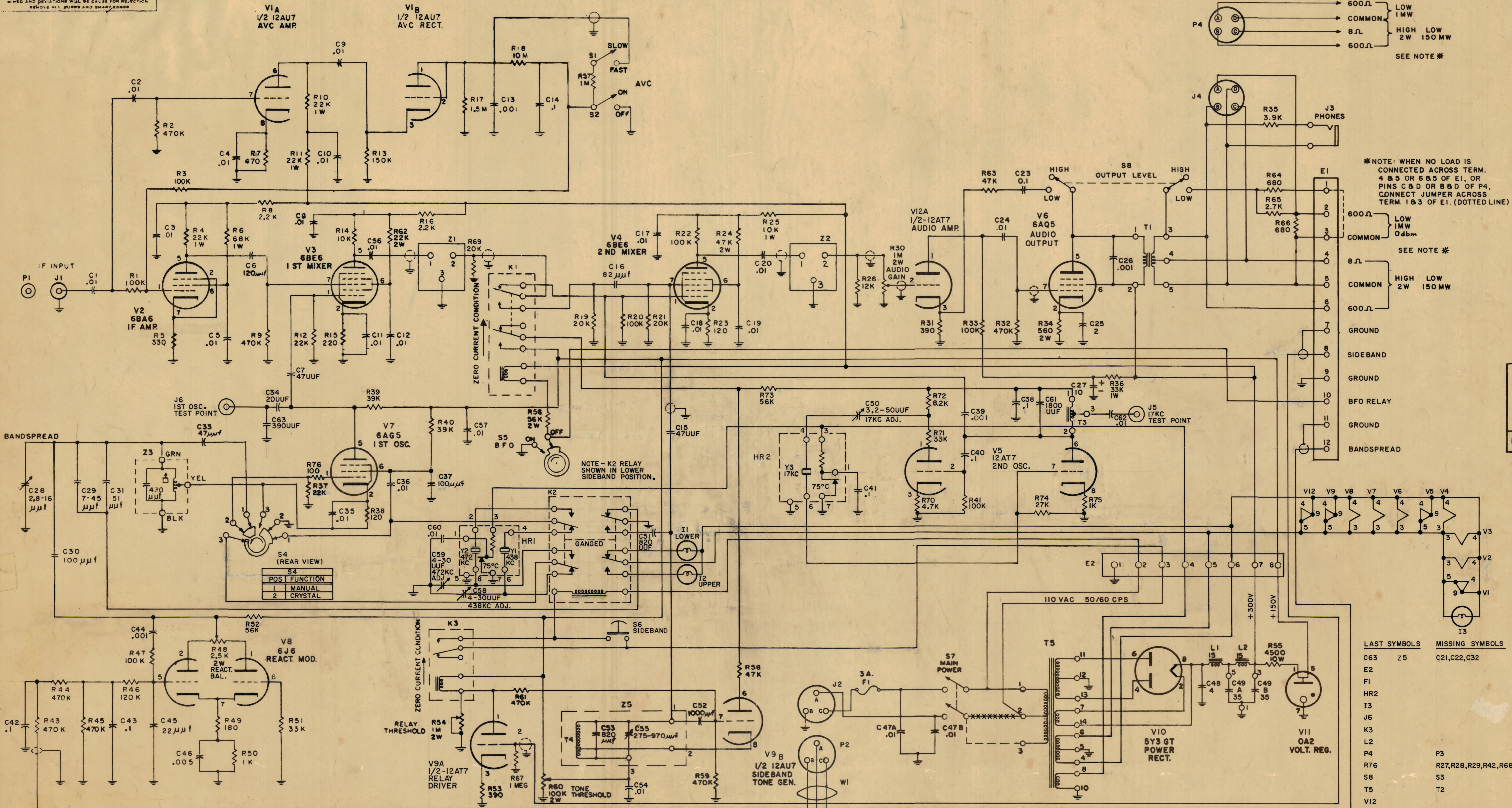


IF IT IS FOUND NECESSARY TO CHANGE ANY TOLERANCES OR OTHER DETAIL SPECIFIED ON THIS DRAWING NOTIFY THE PURCHASER AND NOTIFY THE MANUFACTURER. MAXIMUM ALLOWABLE TOLERANCES HAVE BEEN DETERMINED AND DEVIATIONS WILL BE CAUSE FOR REJECTION REMOVE ALL BURRS AND SHARP EDGES



\*NOTE: WHEN NO LOAD IS CONNECTED ACROSS TERM. 4 & 5 OR 6 & 5 OF E1, OR PINS C & D OR B & D OF P4, CONNECT JUMPER ACROSS TERM. 1 & 3 OF E1. (DOTTED LINE)

SEE NOTE \*  
LOW 1MW 0dbm  
HIGH 2W 150MW

LAST SYMBOLS	MISSING SYMBOLS
C63	Z5
E2	C21, C22, C32
F1	
HR2	
I3	
J6	
K3	
L2	
P4	P3
R76	R27, R28, R29, R42, R68
S8	S3
T5	T2
W1	
Y3	Z4

REV	DESCRIPTION	DATE	BY	CHKD
G	ON J2 & P2: 8WAT C, WAS B.	2-19-60	JTB	JTB
F	ON J2 & P2: 8WAT C, WAS B.	2-19-60	JTB	JTB
E	ON J2 & P2: 8WAT C, WAS B.	2-19-60	JTB	JTB
D	ON J2 & P2: 8WAT C, WAS B.	2-19-60	JTB	JTB
C	ON J2 & P2: 8WAT C, WAS B.	2-19-60	JTB	JTB
B	ON J2 & P2: 8WAT C, WAS B.	2-19-60	JTB	JTB
A	ON J2 & P2: 8WAT C, WAS B.	2-19-60	JTB	JTB

NOTICE TO PERSONS RECEIVING THIS DRAWING  
THE TECHNICAL MATERIEL CORPORATION claims proprietary right in the material disclosed hereon. This drawing is issued in confidence for engineering information only and may not be reproduced or used to manufacture anything shown hereon without permission from THE TECHNICAL MATERIEL CORPORATION to the user. This drawing is loaned for mutual assistance and is subject to recall at any time.

UNLESS OTHERWISE SPECIFIED  
1- ALL CAPACITORS ARE IN MICROFARADS.  
2- ALL RESISTORS ARE 1/2 WATT.  
3- ALL COILS ARE IN HENRIES.

FOR 220V OPERATION OF T5  
1- REMOVE SWITCH LEAD MARKED \*\*\*\*\* FROM TERMINAL 2.  
2- CONNECT LEAD MARKED ---- TO TERMINAL 3.  
3- CHANGE F1 TO 1/2 AMPS.

Property of:  
THE TECHNICAL MATERIEL CORPORATION  
MAMARONECK, NEW YORK

MSR-5	PROJECT NO.	DATE	6-28-60
-------	-------------	------	---------

REV.	ITEM	PART NO.	DESCRIPTION	SYMBOL
			THE TECHNICAL MATERIEL CORP. MAMARONECK, NEW YORK	
			SCHEMATIC DIAGRAM (MSR-5)	
			J.C. Biale DRAWN	
			ELEC. DES. APP.	
			MECH. DES. APP.	
			CHECKED	
			FIN. L. APPROVAL	
			SEE CHG. REC. #439	
			FINISH & SPEC. NO.	

CK-455