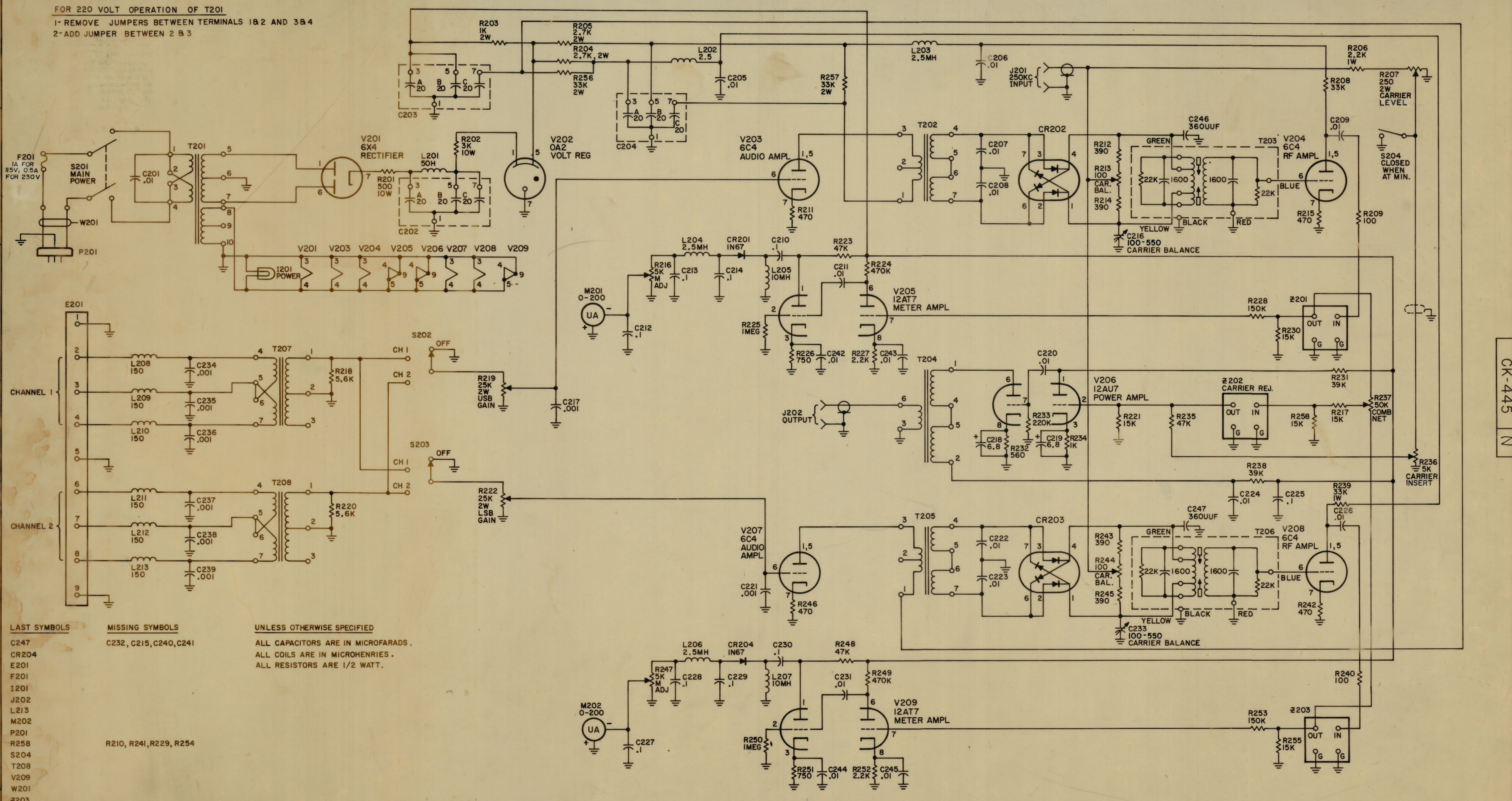


FOR 220 VOLT OPERATION OF T201

- 1- REMOVE JUMPERS BETWEEN TERMINALS 1&2 AND 3&4
- 2- ADD JUMPER BETWEEN 2 & 3



LAST SYMBOLS	MISSING SYMBOLS	UNLESS OTHERWISE SPECIFIED
C247	C232, C215, C240, C241	ALL CAPACITORS ARE IN MICROFARADS.
CR204		ALL COILS ARE IN MICROHENRIES.
E201		ALL RESISTORS ARE 1/2 WATT.
F201		
I201		
J202		
L213		
M202		
P201		
R258		
S204		
T208		
V209		
W201		
Z203		
	R210, R241, R229, R254	

REV.	DATE	DESCRIPTION	BY	CHKD.	APP.
N	4-6-67	ON P201 BRD LEAD ADDED TO GRD	JCB	JCB	JCB
M	7-8-65	ON F201 IA FOR 115V 0.5A FOR 230V WAS 2A	JCB	JCB	JCB
L	9-19-61	CARRIER INSERT WAS CARRIER LEVEL ON R236	JCB	JCB	JCB
K	5-3-61	CARRIER LEVEL WAS CARRIER LEVEL ON R207	JCB	JCB	JCB
J	4-14-61	+E- Reversed on M202, M201	JCB	JCB	JCB
I	2-13-61	C216 & C233 was 190-760	JCB	JCB	JCB
H	2-13-61	OPERATION Note Added, Shielded Ground Added	JCB	JCB	JCB
G	12-7-60	REDRAWN, NO REVISION	J.C.B.	J.C.B.	J.C.B.

NOTICE TO PERSONS RECEIVING THIS DRAWING

THE TECHNICAL MATERIEL CORPORATION claims proprietary right in the material disclosed hereon. This drawing is issued in confidence for engineering information only and may not be reproduced or used to manufacture anything shown hereon without permission from THE TECHNICAL MATERIEL CORPORATION to the user. This drawing is loaned for mutual assistance and is subject to recall at any time.

Property of:  
THE TECHNICAL MATERIEL CORPORATION  
MAMARONECK, NEW YORK

REQ. ITEM	PART NO.	DESCRIPTION	SYMBOL
THE TECHNICAL MATERIEL CORP. MAMARONECK, NEW YORK			
SCHEMATIC DIAGRAM (MODEL CBE-1)			
DRAWN		J. C. BIELE	
CHECKED		[Signature]	
FINAL APPROVAL		[Signature]	
DATE		12-7-60	
MODEL		CBE-1	
SECTION		[Blank]	
ASSY. NO.		[Blank]	
DATE		12-7-60	
FINISH & SPEC. NO.		[Blank]	
ELEC. DES. APP.		[Blank]	
MECH. DES. APP.		[Blank]	
SHEET		OF	
CK-445		N	