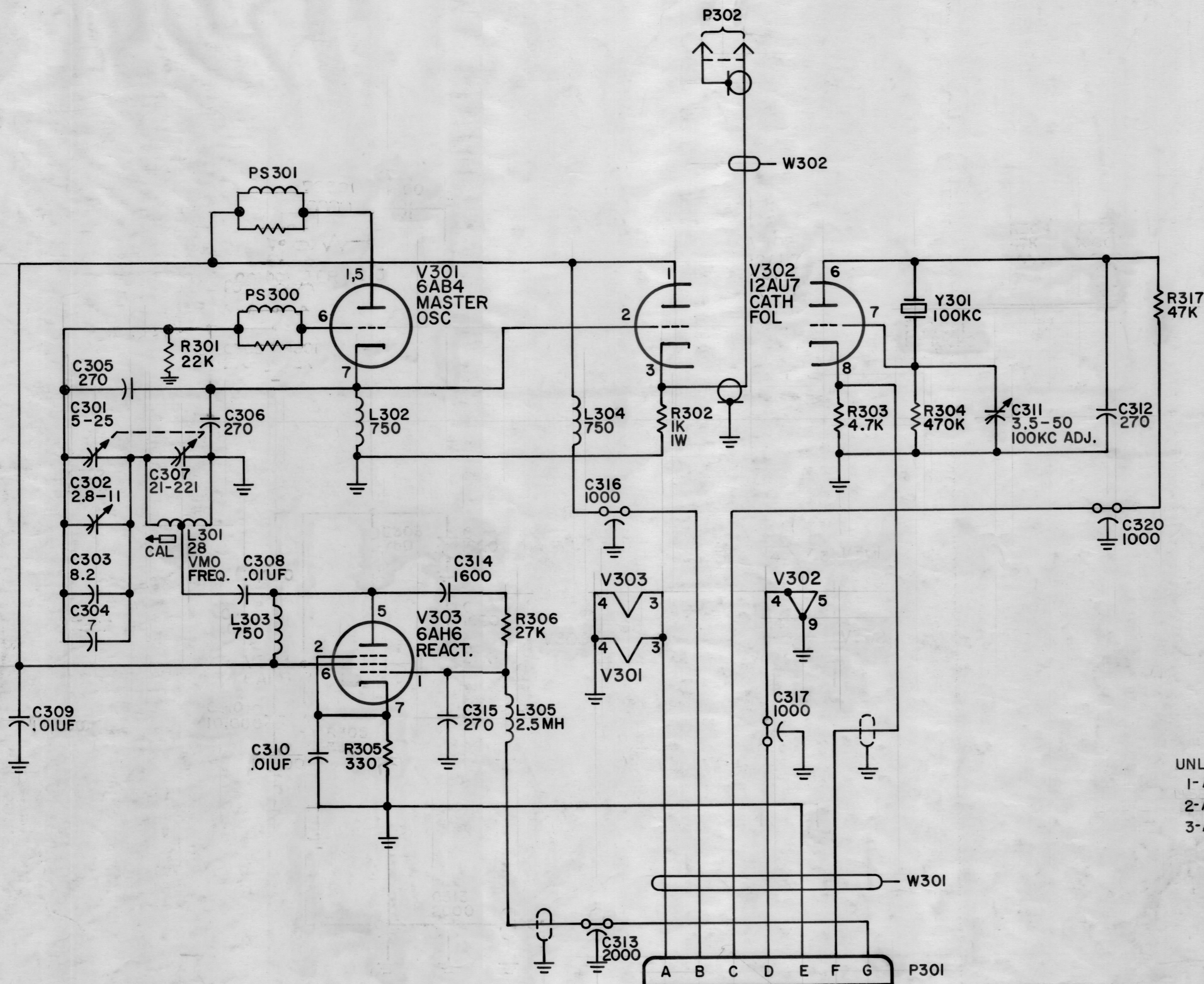


NOTICE TO PERSONS RECEIVING THIS DRAWING

THE TECHNICAL MATERIEL CORPORATION claims proprietary right in the material disclosed hereon. This drawing is issued in confidence for engineering information only and may not be reproduced or used to manufacture anything shown hereon without permission from THE TECHNICAL MATERIEL CORPORATION to the user. This drawing is loaned for mutual assistance and is subject to recall at any time.

Property of:
THE TECHNICAL MATERIEL CORPORATION
MAMARONECK, NEW YORK



UNLESS OTHERWISE SPECIFIED
1-ALL CAPACITORS ARE IN MICRO MICROFARADS (uuf)
2-ALL COILS ARE IN MICRO HENRIES (uh)
3-ALL RESISTORS ARE 1/2 WATT

REF CK-439

C	PS300 & PS301 ADDED	4-22-66	16128	uw	gpb	
B	D2 SPEC. NOTES ADDED G6 ON V301 PINS #1,5 CLARIFIED E7 C304 VALUE WAS 7.0UUF D2 DWG HAS BEEN REINSTATED H4,E5 P302 WAS J301, Pin.No6 Added To V303 E7,C C315 VALUE WAS 27,C304 VALUE WAS 10 D7,C ON C308,C307,C310 VALUE WAS 10,000	9-29-61	5637	lb	ab	
A		1-7-61	3878	Ru	gpb	
ISSUE	ZONE	DESCRIPTION	DATE	CH. NO.	DRAFTS	CHECKER
TOLERANCES			SCALE:			
DEC. DIM. ±			MAXIMUM ALLOWABLE TOLERANCES HAVE BEEN DETERMINED AND ANY DEVIATIONS WILL BE CAUSE FOR REJECTION.			
FR. DIM. ±			REMOVE ALL BURRS AND SHARP EDGES			
ULAR DIM. ±						

REQ PER UNIT	MODEL	SECTION	ASS'Y. NO.	DATE
	CMO-1			3-11-60

REQ. ITEM	PART NO.	DESCRIPTION	SYMBOL
THE TECHNICAL MATERIEL CORP. MAMARONECK, NEW YORK			
STOCK SIZE			
Schematic, Diagram (MODEL - CMO-1)			
MATERIAL			
TYPE & TEMPER			
DRAWN		ELEC. DES. APP.	MECH. DES. APP.
CHECKED		FINAL APPROVAL	
CK-438			
FINISH & SPEC. NO.			