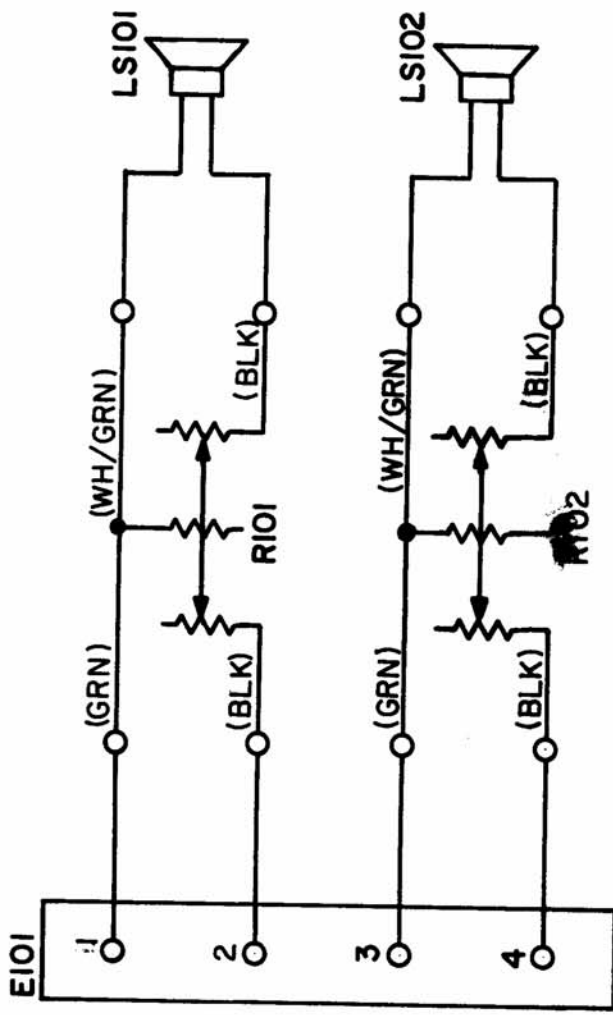


REQ. PER. UNIT	MODEL	USED ON
1	LSP-7	ASS'Y. NO.
		DATE
		6-16-61

CK-429

A



REQ. ITEM	DESCRIPTION	SYMBOL
	THE TECHNICAL MATERIEL CORP.	
	MAMARONECK, NEW YORK	
	SCHEMATIC DIAGRAM	
	LSP-7	
ISSUE ITEM	CHANGED FROM	DATE
A 74	CLARIFIED SCHEM. DIAG. ADDED WIRE COLOR NOTES	6-5-62
	CH. NO.	DRAFTS
	CHECKER	ENG. APP.
	DATE	6764 V.R.R. J.W.R. R.K.
TOLERANCES		
MAXIMUM ALLOWABLE TOLERANCES HAVE BEEN DETERMINED AND ANY DEVIATIONS WILL BE CAUSE FOR REJECTION. REMOVE ALL BURRS AND SHARP EDGES		
DEC. DIM. ±		
FRAC. DIM. ±		
ANGULAR DIM. ±		
REQ. ITEM	PART NO.	FINISH & SPEC. NO.
	STOCK SIZE	
	MATERIAL	
	TYPE & TEMPER	HEATTREAT. SPEC.
	W.A.F.	
	DRAWN	CHECKED
		FINAL APPROVAL
		CK-429
		A